



# PBR 360, Pirani/Bayard-Alpert, DN 40 CF-R

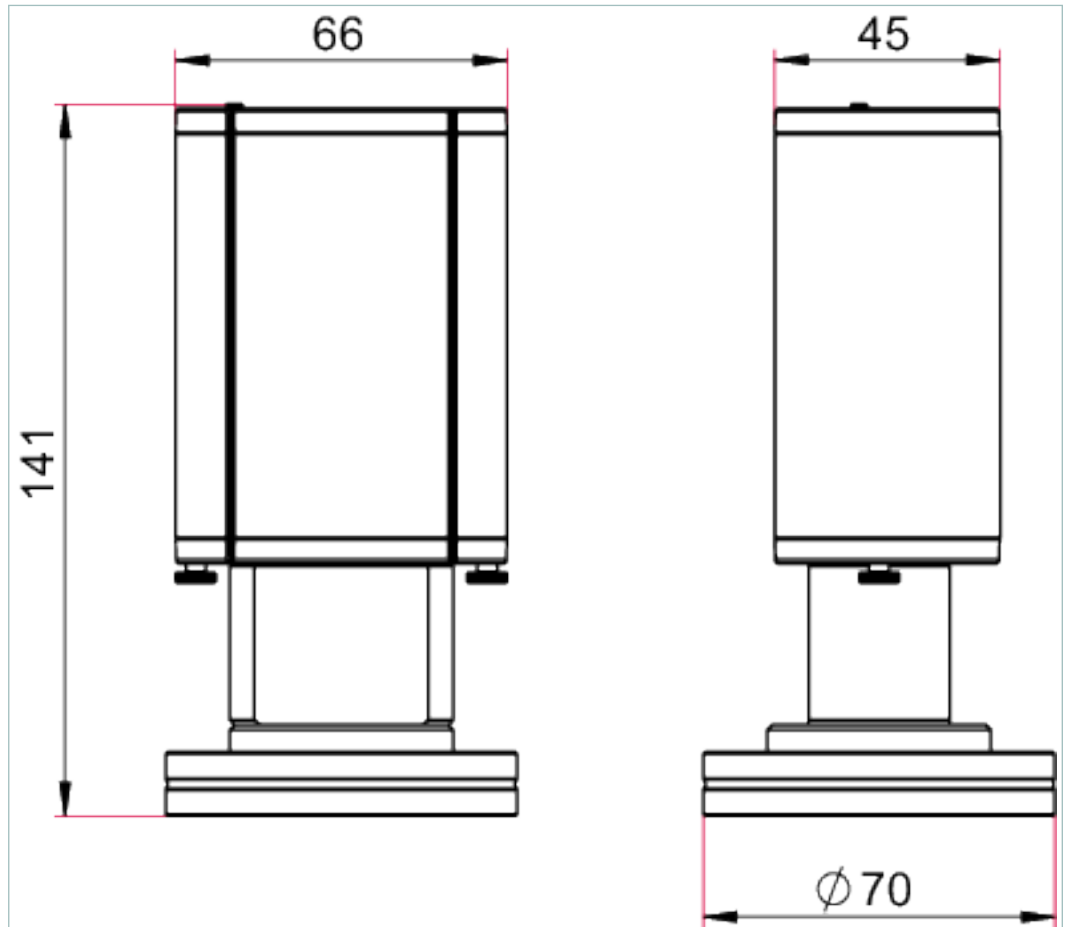


Similar Image

## PBR 360, Pirani/Bayard-Alpert, DN 40 CF-R

- Combined Pirani and Bayard-Alpert sensor
- High security by two filaments
- Highly accurate
- Bayard-Alpert sensor ON/OFF automatically controlled by Pirani sensor

### Dimensions



Technical Data	PBR 360, Pirani/Bayard-Alpert, DN 40 CF-R
Ambient temperature	5-60 °C   41-140 °F   278-333 K
Bakeout temperature: at the flange (voltage supply switched off)	180 °C   356 °F   453 K
Filament	<i>Pirani:</i> Tungsten <i>hot cathode:</i> Iridium coated with Y <sub>2</sub> O <sub>3</sub>
Materials in contact with media	Stainless steel 1.4307 Tungsten Nickel Glass
Measurement cable length	100 m
Measuring method	Pirani Bayard-Alpert
Measuring range	5 · 10 <sup>-10</sup> – 1 · 10 <sup>3</sup> hPa
Nominal diameter	DN 40 CF-R
Number of filaments	2
Output signal: Measuring range	0.774 – 10 V

Technical Data	PBR 360, Pirani/Bayard-Alpert, DN 40 CF-R
Output signal: Minimum load	10 kΩ
Precision: $1 \cdot 10^{-8}$ – 10 hPa	± 10 %
Precision: 10 – 1000 hPa	± 30 %
Pressure max.	4,000 hPa   3,000 Torr   4,000 mbar
Repeatability: $1 \cdot 10^{-2}$ – 10 hPa	2 %
Repeatability: $1 \cdot 10^{-8}$ – $1 \cdot 10^{-2}$ hPa	± 5 %
Supply: consumption max.	9 W
Supply: Voltage V DC	20 – 30 V DC
Temperature: Storage	-40-65 °C   -40-149 °F   233-338 K
Volume	29 cm <sup>3</sup>
Weight	685 g

Order number	
PBR 360	PT R27 012

Accessories	
<b>Adapters (electrical) Adapter Measurement</b>	
Mating connector, 6 pole	B4707283MA
<b>Monitoring Pressure Sensors</b>	
Measurement cable, 3 m	PT 448 250 -T

## **VACUUM SOLUTIONS FROM A SINGLE SOURCE**

Pfeiffer Vacuum stands for innovative and custom vacuum solutions worldwide, technological perfection, competent advice and reliable service.

## **COMPLETE RANGE OF PRODUCTS**

From a single component to complex systems:

We are the only supplier of vacuum technology that provides a complete product portfolio.

## **COMPETENCE IN THEORY AND PRACTICE**

Benefit from our know-how and our portfolio of training opportunities!

We support you with your plant layout and provide first-class on-site service worldwide.

Are you looking for a  
perfect vacuum solution?  
Please contact us:

**Pfeiffer Vacuum GmbH**  
Headquarters · Germany  
T +49 6441 802-0  
info@pfeiffer-vacuum.de

[www.pfeiffer-vacuum.com](http://www.pfeiffer-vacuum.com)

All data subject to change without prior notice.

**PFEIFFER**  **VACUUM**