



HV angle valve, DN 50 ISO-KF, manually operated, 304/FKM, "A"- dim. 70 mm

**HV angle valve, DN 50 ISO-KF, manually operated, 304/FKM, "A"-
dim. 70 mm**

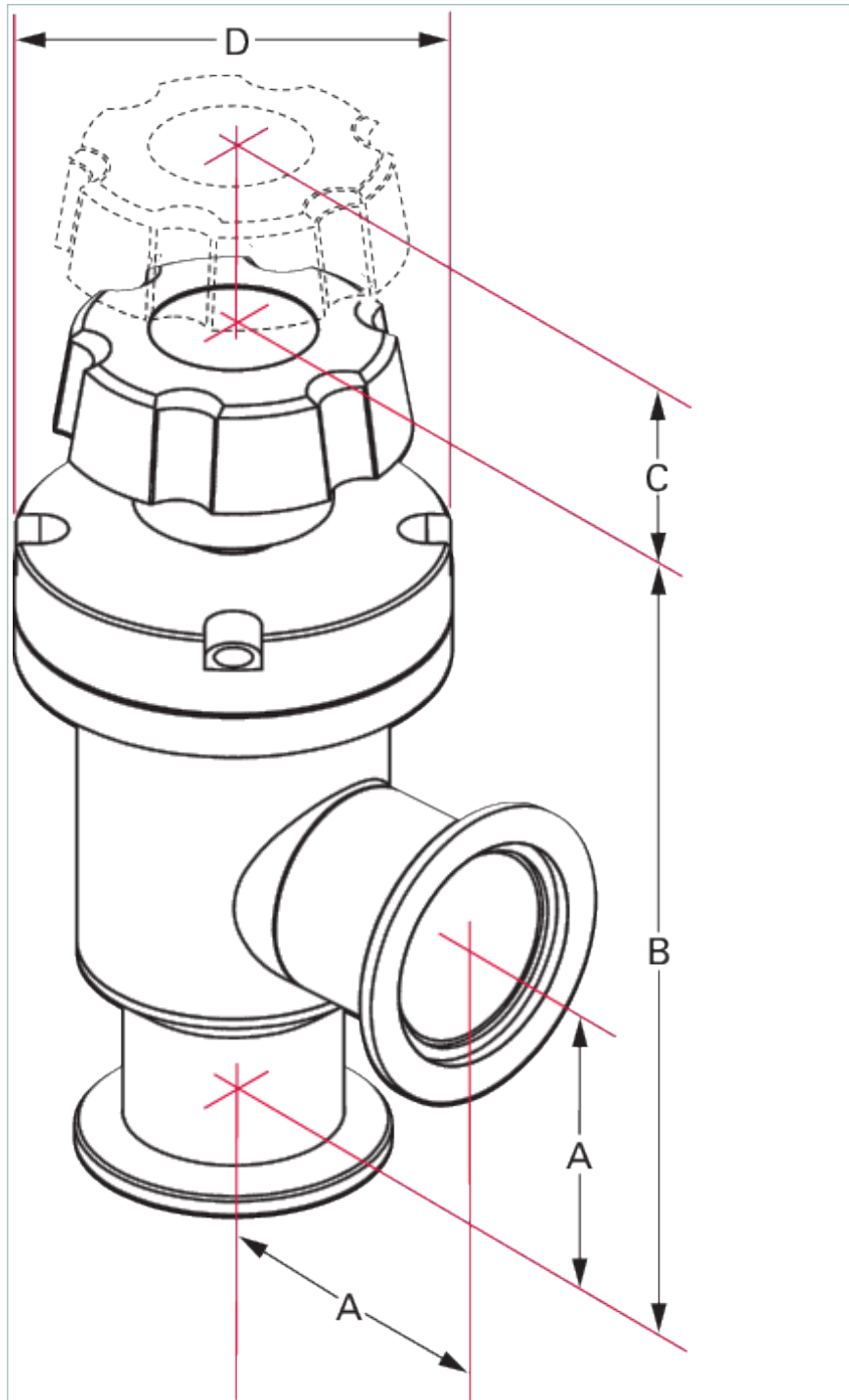


Similar Image

HV angle valve, DN 50 ISO-KF, manually operated, 304/FKM, "A"-dim. 70 mm

- With elastomer seals for high vacuum operation
- Stainless steel body with welded diaphragm bellows
- Conductance continuously variable with handwheel (multi-turn)
- Fully retracting and opening
- Additional O-ring materials available

Dimensions



A	70 mm
B	187 mm
C	51 mm
D	89 mm

Technical Data	HV angle valve, DN 50 ISO-KF, manually operated, 304/FKM, "A"-dim. 70 mm
Actuator	Spindle
Bakeout temperature: actuator	60 °C 140 °F 333 K
Bakeout temperature: housing	150 °C 302 °F 423 K
Conductance value with molecular flow	65 l/s
Differential pressure in closing direction	1,400 hPa 1,050 Torr 1,400 mbar
Differential pressure in opening direction	1,400 hPa 1,050 Torr 1,400 mbar
Feedthrough	Bellows Stainless steel
Housing	Stainless steel
Nominal diameter	DN 50 ISO-KF
Operating pressure min.	$1 \cdot 10^{-8}$ hPa $7.5 \cdot 10^{-9}$ Torr $1 \cdot 10^{-8}$ mbar
Pressure max. (absolute)	1,000 hPa 750 Torr 1,000 mbar
Seal	FKM
Service life	100000 cycles
Tightness	$1 \cdot 10^{-9}$ mbar l/s
Type	HV Angle valve
Weight	2 kg 4.41 lb

Order number	
HV angle valve	ESV-S05100

VACUUM SOLUTIONS FROM A SINGLE SOURCE

Pfeiffer Vacuum stands for innovative and custom vacuum solutions worldwide, technological perfection, competent advice and reliable service.

COMPLETE RANGE OF PRODUCTS

From a single component to complex systems:

We are the only supplier of vacuum technology that provides a complete product portfolio.

COMPETENCE IN THEORY AND PRACTICE

Benefit from our know-how and our portfolio of training opportunities!

We support you with your plant layout and provide first-class on-site service worldwide.

Are you looking for a
perfect vacuum solution?
Please contact us:

Pfeiffer Vacuum GmbH
Headquarters · Germany
T +49 6441 802-0
info@pfeiffer-vacuum.de

www.pfeiffer-vacuum.com

All data subject to change without prior notice.

PFEIFFER  **VACUUM**