



HV angle valve, DN 40 ISO-KF, manually operated, 304/FKM, "A"- dim. 65 mm

**HV angle valve, DN 40 ISO-KF, manually operated, 304/FKM, "A"-
dim. 65 mm**

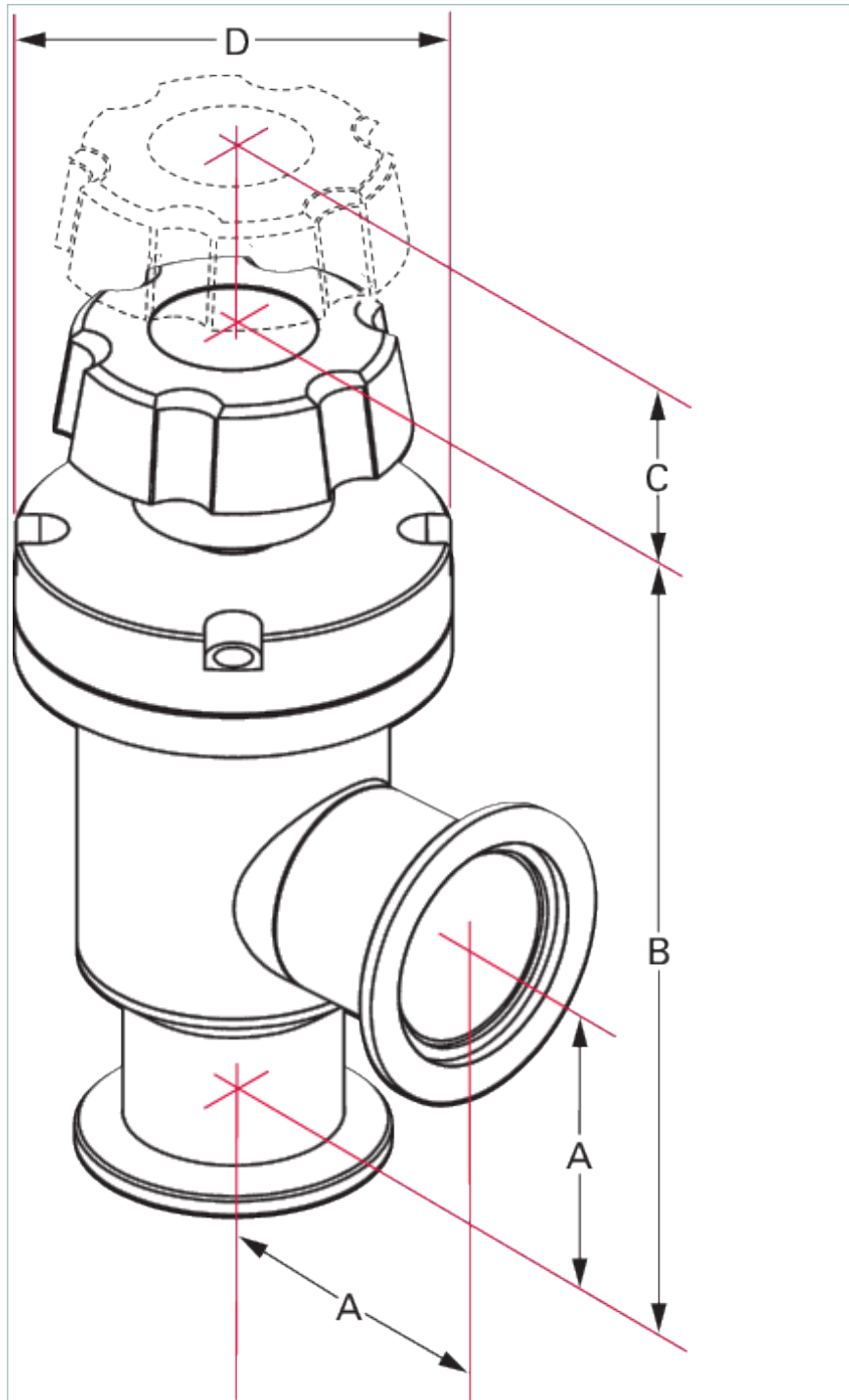


Similar Image

HV angle valve, DN 40 ISO-KF, manually operated, 304/FKM, "A"-dim. 65 mm

- With elastomer seals for high vacuum operation
- Stainless steel body with welded diaphragm bellows
- Conductance continuously variable with handwheel (multi-turn)
- Fully retracting and opening
- Additional O-ring materials available

Dimensions



A	65 mm
B	150 mm
C	38 mm
D	76 mm

Technical Data		HV angle valve, DN 40 ISO-KF, manually operated, 304/FKM, "A"-dim. 65 mm
Actuator	Spindle	
Bakeout temperature: actuator	60 °C 140 °F 333 K	
Bakeout temperature: housing	150 °C 302 °F 423 K	
Conductance value with molecular flow	37 l/s	
Differential pressure in closing direction	1,400 hPa 1,050 Torr 1,400 mbar	
Differential pressure in opening direction	1,400 hPa 1,050 Torr 1,400 mbar	
Feedthrough	Bellows Stainless steel	
Housing	Stainless steel	
Nominal diameter	DN 40 ISO-KF	
Operating pressure min.	1 · 10 ⁻⁸ hPa 7.5 · 10 ⁻⁹ Torr 1 · 10 ⁻⁸ mbar	
Pressure max. (absolute)	1,000 hPa 750 Torr 1,000 mbar	
Seal	FKM	
Service life	100000 cycles	
Tightness	1 · 10 ⁻⁹ mbar l/s	
Type	HV Angle valve	
Weight	1.2 kg 2.65 lb	
Order number		
HV angle valve	ESV-S04100	

VACUUM SOLUTIONS FROM A SINGLE SOURCE

Pfeiffer Vacuum stands for innovative and custom vacuum solutions worldwide, technological perfection, competent advice and reliable service.

COMPLETE RANGE OF PRODUCTS

From a single component to complex systems:

We are the only supplier of vacuum technology that provides a complete product portfolio.

COMPETENCE IN THEORY AND PRACTICE

Benefit from our know-how and our portfolio of training opportunities!

We support you with your plant layout and provide first-class on-site service worldwide.

Are you looking for a
perfect vacuum solution?
Please contact us:

Pfeiffer Vacuum GmbH
Headquarters · Germany
T +49 6441 802-0
info@pfeiffer-vacuum.de

www.pfeiffer-vacuum.com

All data subject to change without prior notice.

PFEIFFER  **VACUUM**