

# TURBOLAB

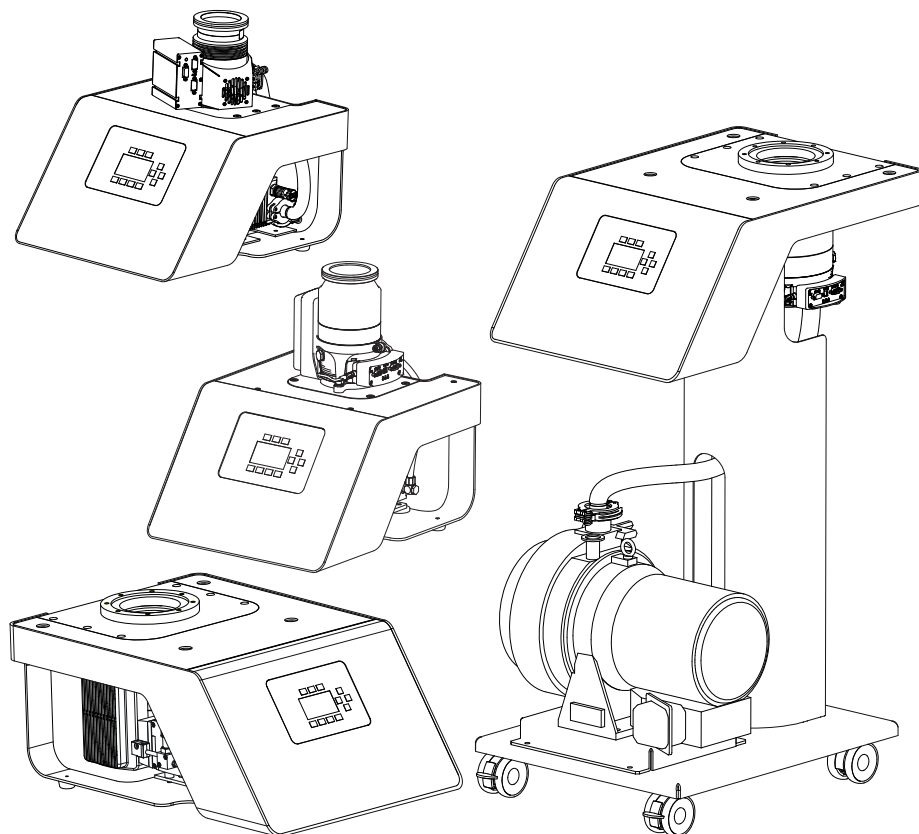
TURBOLAB 80, 90, 250, 350, 450

Turbomolecular Pump Systems

**Operating Instructions 300554859\_002\_C2**

Part Nos.

501592Vxxxxxxxx



# Contents

	<b>Page</b>	
<b>0</b>	<b>Important Safety Information</b>	<b>5</b>
0.1	Mechanical Hazards	5
0.2	Electrical Hazards	5
0.3	Hazards Caused by Materials and Substances	6
0.4	Danger of Damages to the Pump System	6
<b>1</b>	<b>Description</b>	<b>10</b>
1.1	Design	10
1.2	Standard Specification	11
1.3	Technical Data	13
1.3.1	Backing pumps	13
1.3.2	Pump systems	13
	Product identification	13
1.4	Ordering Information	18
1.5	Accessories	21
<b>2</b>	<b>Transport and Storing</b>	<b>24</b>
<b>3</b>	<b>Installation</b>	<b>25</b>
3.1	Placement	25
3.2	Conforming Use	27
3.3	Ambient Conditions	27
3.4	Installing the Backing Pump	28
3.5	High Vacuum Connection	30
3.5.1	Removing the TURBOVAC Pump from the Pump System	32
3.6	Connecting the Exhaust Line	34
3.7	Connect the Cooling	34
3.7.1	Cooling Water	35
3.8	Connect a Power Failure Venting Valve or a Venting Valve	37
3.9	Connect Purge Gas	38
3.10	Connect the SECUVAC valve	39
3.11	Connect a Flange Heater	40
3.12	Connect a Gauge	41
3.13	Connect a PC/Mobile Device	41
3.14	Electrical Connection	42

# Contents

<b>4</b>	<b>Operation</b>	<b>43</b>
4.1	Media Compatibility / Purge Gas	43
4.2	Interfaces	44
4.3	Switching On	46
4.4	Operation	47
4.4.1	Menu	47
4.4.2	Function Codes of the Accessory Connections	51
4.4.3	Relay Functions	59
4.4.4	Parameter list	60
4.4.5	Monitoring of the Operation Conditions	62
4.5	Shut-down	62
4.6	Venting	63
4.7	Bakeout	64
4.8	Webserver	65
4.9	Data Viewer	74
4.10	Widget	77
4.11	Downloads	77
<b>5</b>	<b>Maintenance</b>	<b>78</b>
5.1	Cleaning	78
5.2	Oil of the Rotary Vane Pump	79
5.3	Removing the Backing pump	79
5.4	Leybold Service	79
<b>6</b>	<b>Troubleshooting</b>	<b>80</b>
<b>7</b>	<b>Waste Disposal</b>	<b>83</b>
	<b>EC Declaration of Conformity</b>	<b>84</b>

These Operating Instructions are a translation of the German instructions  
300554859\_001\_C2.

# Safety Information

---

## NOTICE



### Obligation to Provide Information

Before installing and commissioning the pump system, carefully read these Operating Instructions and follow the information so as to ensure optimum and safe working right from the start.

The Leybold **turbomolecular pump system** has been designed for safe and efficient operation when used properly and in accordance with these Operating Instructions. It is the responsibility of the user to carefully read and strictly observe all safety precautions described in this section and throughout the Operating Instructions. The pump system must only be operated in the proper condition and under the conditions described in the Operating Instructions. It must be operated and maintained by trained personnel only. Consult local, state, and national agencies regarding specific requirements and regulations. Address any further safety, operation and/or maintenance questions to our nearest office.

---

## DANGER



DANGER indicates an imminently hazardous situation which, if not avoided, will result in death or serious injury.

---

## WARNING



WARNING indicates a potentially hazardous situation which, if not avoided, could result in death or serious injury.

---

## CAUTION



CAUTION indicates a potentially hazardous situation which, if not avoided, could result in minor or moderate injury.

---

## NOTICE



NOTICE is used to notify users of installation, operation, programming or maintenance information that is important, but not hazard related.

---

We reserve the right to alter the design or any data given in these Operating Instructions. The illustrations are not binding.

Retain the Operating Instructions for further use.

## 0 Important Safety Information

Note also the safety information given for the individual pumps and components.

### 0.1 Mechanical Hazards

- 1 Avoid exposing any part of the human body to the vacuum.
- 2 The pressure in the pump system must not exceed atmospheric pressure.
- 3 The pump system is intended for generating a vacuum only. If there is a risk of an overpressure within the system and the pump, then it must be protected against this, by way of an overpressure safety valve, for example.
- 4 The maximum pressure on the inlet side must not exceed atmospheric pressure (approximately 1013 mbar).
- 5 While the pump is running, the exhaust of the backing pump must not be blocked in any way and the pressure in the exhaust line must not exceed atmospheric pressure.
- 6 After having removed the Plexiglas panel do not reach into the turbomolecular pump since there is the risk of suffering injury at sharp edges.
- 7 Operate the pump system only after having connected it to the corresponding piping first.
- 8 The turbomolecular pump must, when removed from the pump system, always be firmly attached to a vacuum chamber. If the mounting is not sturdy enough, pump blockage could cause the pump to break loose; internal pump components could be thrown in all directions. Never operate the pump (in bench testing, for example) without proper flanging to the vacuum chamber.
- 9 The construction on the TURBOLAB may weigh no more than 25 kg. In case of greater weight, please inquire as to the load capacity of different TURBOLAB versions.
- 10 The pump system must only be detached from the vacuum chamber and moved, provided the pump has been allowed to run down completely and is at a full standstill.
- 11 For the TURBOLAB 90 and 250 models, the safety strap must be mounted around the pump.

---

#### WARNING



### 0.2 Electrical Hazards

- 1 The system must only be connected to a power supply the specifications of which match those stated on the nameplate.
- 2 Do not open the switchbox and do not remove any covers from the electrical equipment. Do not disconnect any earth connections.

---

#### WARNING



# Safety Information



## DANGER

### 0.3 Hazards Caused by Materials and Substances

- 1 The product in its standard version is not suited for operation in explosion hazard areas.
- 2 The product is not suited for pumping of
  - combustible and explosive gases and vapours
  - radioactive and toxic gases and vapours
  - pyrophorous substances
  - oxygen which exceeds the concentration in the atmosphere (> 21%).
- 3 When using oil lubricated backing pumps, there is the risk of escaping oil mist. Use a suitable exhaust filter or an exhaust line, see Accessories.
- 4 If the system has previously pumped hazardous gases take the appropriate safety measures before opening the intake or exhaust ports. Use gloves, a breathing mask or protective clothing and work under a fume hood.

---

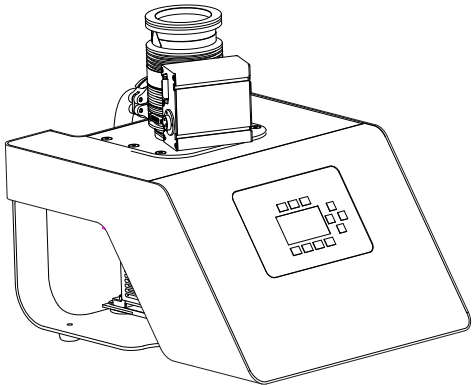
## NOTICE



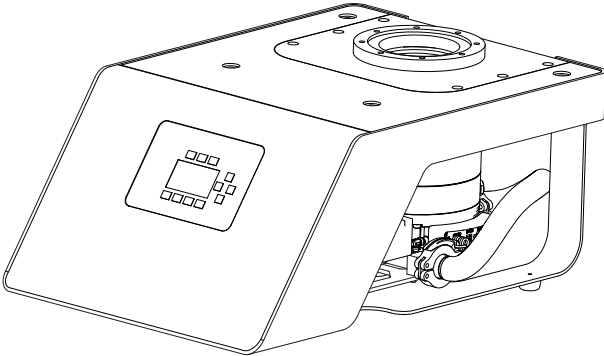
### 0.4 Danger of Damages to the Pump System

- 1 The pump system is not suited for pumping of liquids or of dusty, aggressive or corrosive media.
  - 2 The pump system must only be detached from the vacuum chamber and moved, provided the pump has been allowed to run down completely and is at a full standstill.
  - 3 Exposure of the pump to accelerating forces must be avoided or reduced to such an extent that the rotor unit will not be excited by vibrations. In the case of critical applications you must consult our Applications Dept. first.
  - 4 The pump must only be opened by such persons who have been authorised by Leybold to do so.
  - 5 Ensure that no items like bolts, nuts, washers, pieces of wire, for example, enter into the inlet of the pump. Foreign objects which enter into the pump will generally cause severe damage. Damage caused by the intake of foreign objects is not covered by our warranty.
  - 6 The equipment must not be exposed to drip or spray water.
  - 7 Set the device up securely at its place of operation, so that it will not fall or tip over in the event of any incident.
-

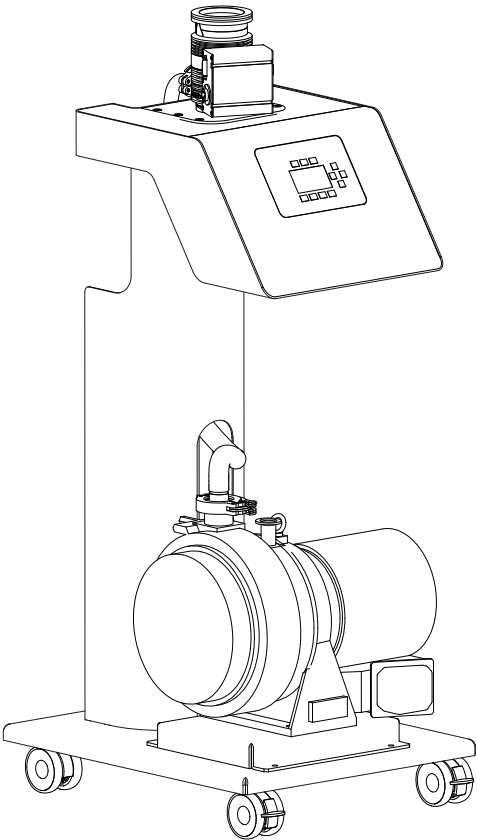
# Description



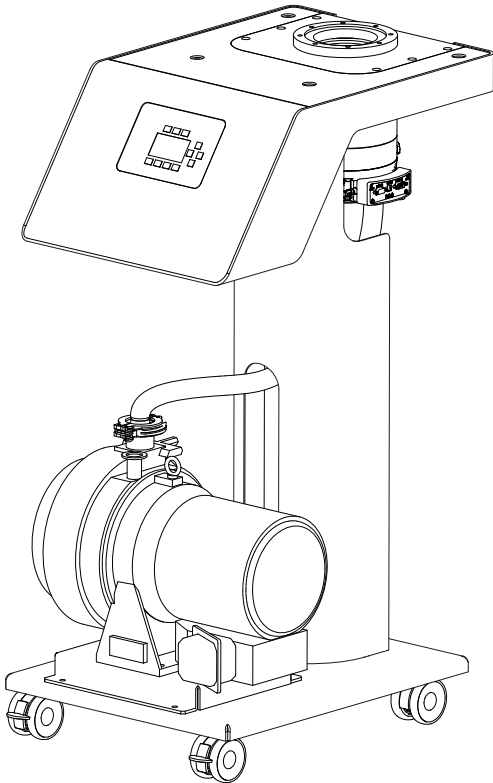
TURBOLAB 80



TURBOLAB 350/450



TURBOLAB 80 Cart



TURBOLAB 350/450 Cart

Fig. 1.1 Turbomolecular pump systems TURBOLAB (exemplary shown)

# Description

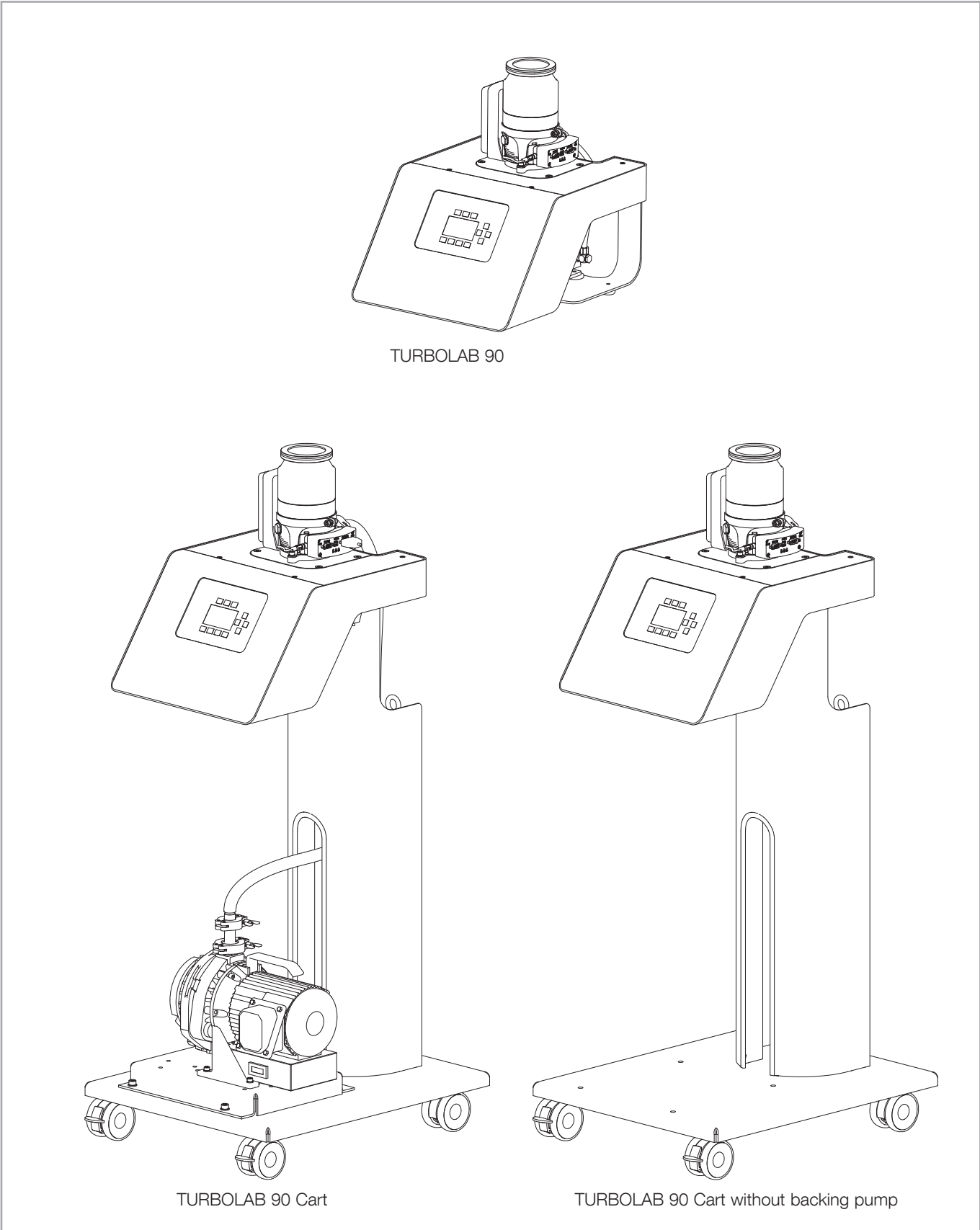


Fig. 1.2 Turbomolecular pump systems TURBOLAB (exemplary shown)

# Description

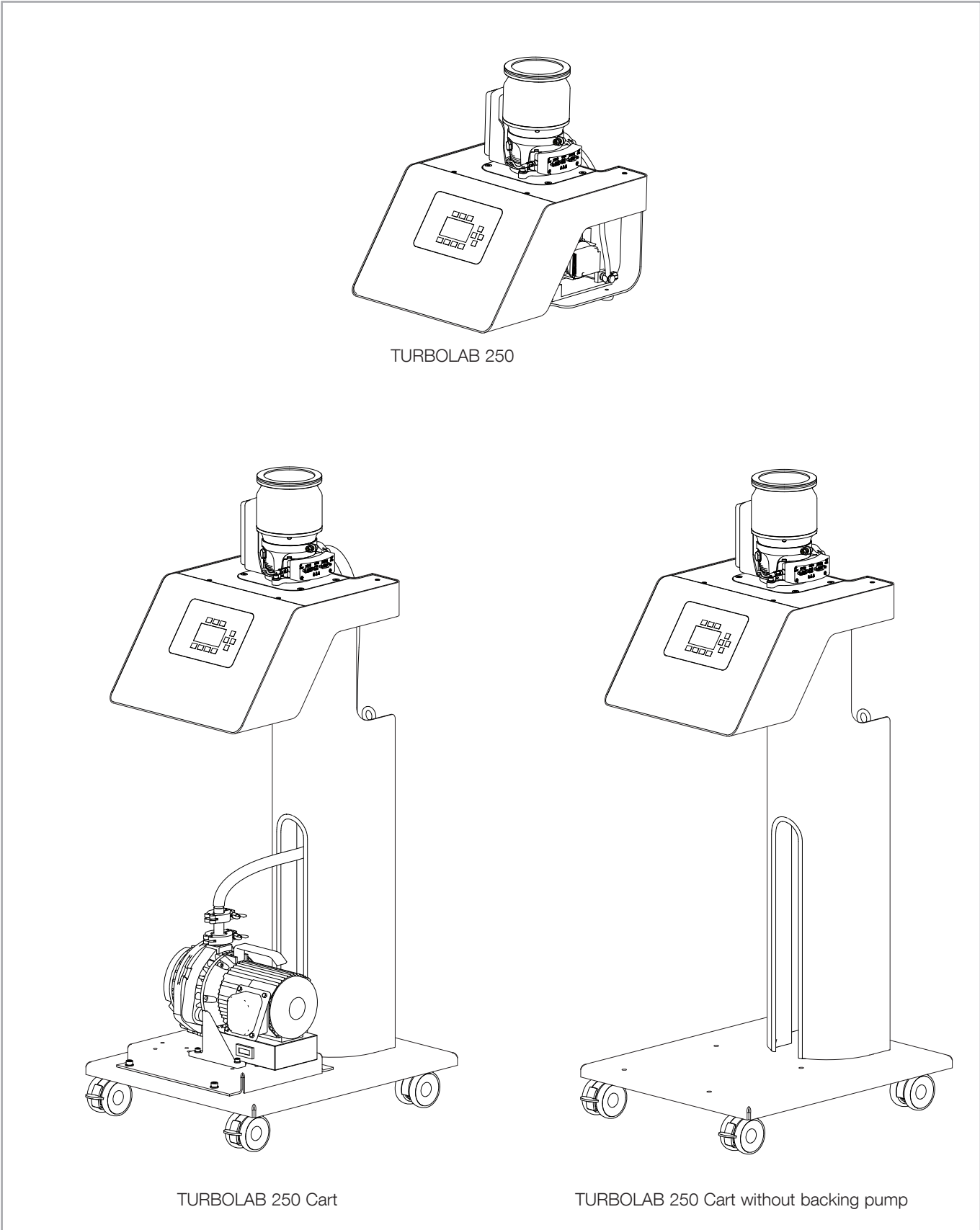


Fig. 1.3 Turbomolecular pump systems TURBOLAB (exemplary shown)

# Description

## 1 Description

The TURBOLAB pump systems are turnkey vacuum units for pumping vacuum vessels to pressures in the high-vacuum range.

### 1.1 Design

The TURBOLAB pump systems consist of the following components as standard:

- Turbomolecular pump TURBOVAC

The TURBOVACs are turbomolecular pumps with lifetime lubricated ceramic ball bearings. A built-in thermal switch switches off the TURBOVAC if the permissible temperature is exceeded.

- The frequency converter is integrated into the TURBOVAC and is supplied with 24 VDC and controlled via RS 485 interface by the TURBOLAB.

- Backing pump

The **TRIVAC** is a two-stage rotary vane pump. It is fitted with a gas ballast valve and an anti-suckback valve. The anti-suckback valve shuts off the vacuum line to the turbomolecular pump in the event of power failure or when the unit is switched off.

The **SOGEVAC** SV 16 D and SV 25 D are single stage, oil-sealed rotary vane pumps. The anti-suckback valve, gas ballast valve and an exhaust filter, oil return circuit are integrated functional elements of the SOGEVAC.

The **SCROLLVAC plus** pumps are dry compressing scroll pumps.

The **DIVAC** pumps are two to four-stage, oil-free diaphragm pumps.

Some TURBOLAB pump systems are delivered without backing pump.

- Vacuum connection between TURBOVAC and backing pump: flexible stainless-steel line. The connection can be broken, for example to enable an adsorption trap to be fitted.

- Frames: Cart with baseplate, mounting column & castors or benchtop frame with rubber feet.

- TPU Turbo Pressure Unit

Every TURBOLAB comes standard with the TPU for control, configuration & monitoring of the turbomolecular pump system.

The backing pump is connected depending on the specific type at X211 (110/230VAC) or at X20 (24VDC) and it starts when the turbomolecular pump is started.

A safety valve can be connected at X210 (110/230VAC) and this safety valve is switched in parallel with the backing pump.

The function for the accessory connection is set by default to "Active at Start Command" and this setting can be changed through Menu → Accessory → VV Pump.

The turbomolecular pump systems are designed to mount further components:

- vacuum gauges: PTR 90, PTR 90N, TTR 91, TTR 91N, TTR101, TTR 101N. Two vacuum gauges can be operated simultaneously.
- adsorption trap
- exhaust filter
- air cooling
- water cooling
- flange heater
- vent valve
- purge valve
- foreline safety valve: SECUVAC Valve DN 16/25/40 ISO-KF

Fitting of further components beyond the scope detailed here requires an approval from Leybold.

## 1.2 Standard Specification

The following are supplied with the pump system:

- Transport lock at the high vacuum flange by way of a Plexiglas disc
- Covering caps for the threads of the transport lock
- exhaust side: centering ring and clamping ring
- documentation
- The TRIVAC and SOGEVAC are filled with LVO oil.

Bench-top devices are equipped with a securing element to hold the backing pump in place during transport. This must be removed before initial startup.

Mains cables are not supplied, and must be ordered separately.

# Description

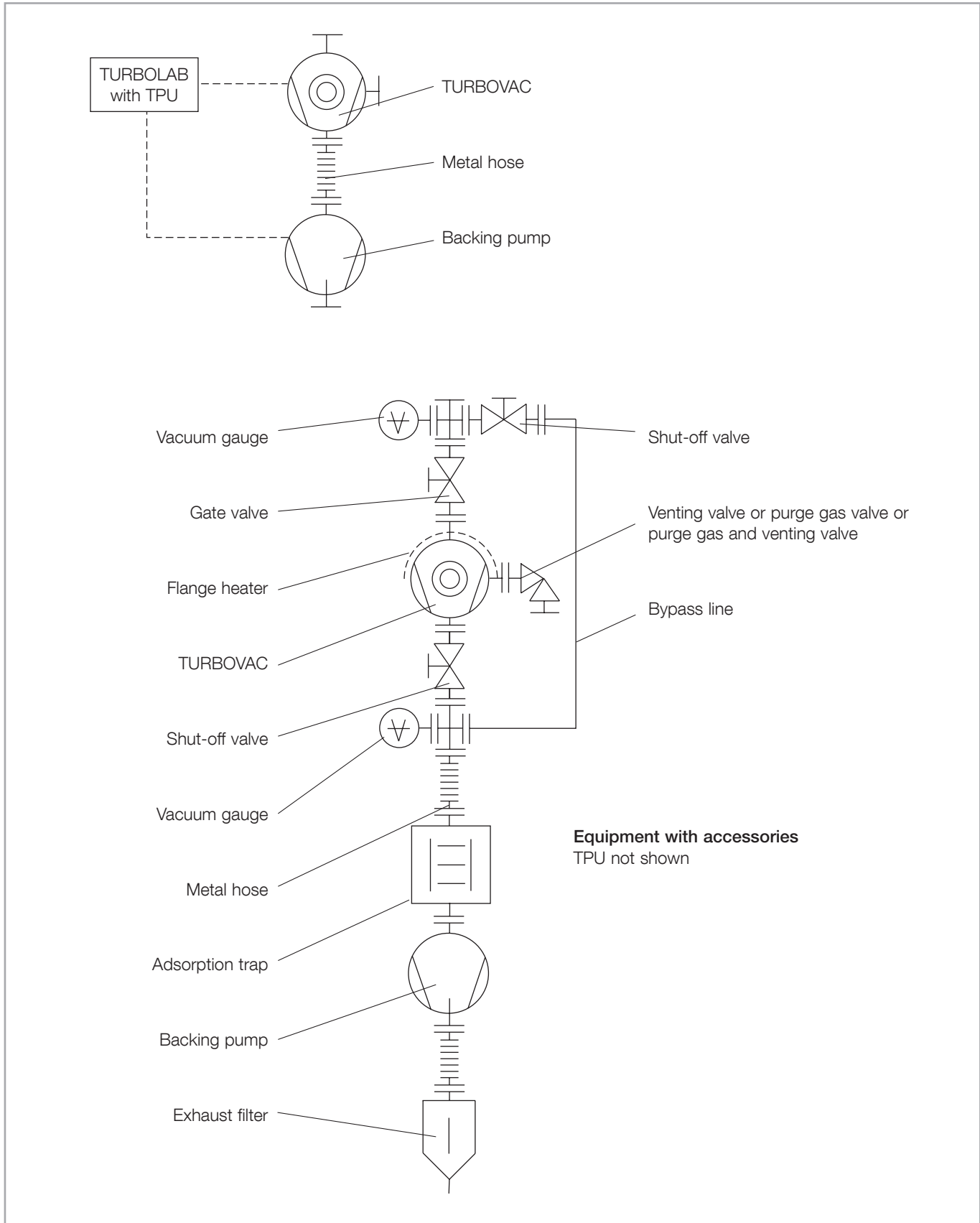


Fig. 1.4 Schematic diagram of the turbomolecular pump systems TURBOLAB

## 1.3 Technical Data

### 1.3.1 Backing pumps

		DIVAC		TRIVAC		SOGEVAC	SCROLLVAC	
<b>Backing pump</b>		<b>0.8 T</b>	<b>3.0</b>	<b>D 4 B</b>	<b>D 8 B</b>	<b>SV 16 D</b>	<b>7 plus</b>	<b>15 plus</b>
Pumping speed	m <sup>3</sup> /h	0.7	3.0	4.8	9.7	16	6.1	14.5
Noise level	dB(A)	49	54	52	52	59	55	55
Exhaust connection		G 1/8" thread (silencer)		DN 16 KF	DN 16 KF	G 1/2" thread	DN 25 KF	DN 25 KF

### 1.3.2 Pump systems

		TURBOLAB 80		TURBOLAB 90		TURBOLAB 250	
Inlet flange	DN	63 ISO-K	63 CF	63 ISO-K	63 CF	100 ISO-K	100 CF
Forevacuum connection	DN	16 KF	16 KF	16 KF	16 KF	16 KF	16 KF
Pumping speed	l·s <sup>-1</sup>	65	65	90	90	225	225
Ultimate pressure	mbar	8·10 <sup>-8</sup>	5·10 <sup>-10</sup>	8·10 <sup>-8</sup>	5·10 <sup>-10</sup>	8·10 <sup>-8</sup>	5·10 <sup>-10</sup>
Mains Supply 50/60Hz	V AC	110 ± 10 % / 230 ± 10 %					

		TURBOLAB 350		TURBOLAB 450	
Inlet flange	DN	100 ISO-K	100 CF	160 ISO-K	160 CF
Forevacuum connection	DN	25 KF	25 KF	25 KF	25 KF
Pumping speed	l·s <sup>-1</sup>	290	290	430	430
Ultimate pressure	mbar	8·10 <sup>-8</sup>	5·10 <sup>-10</sup>	8·10 <sup>-8</sup>	5·10 <sup>-10</sup>
Mains Supply 50/60Hz	V AC	110 ± 10 % / 230 ± 10 %			
Rated power consumption	VA				
110 V		1760	1760		
230 V		3680	3680		

### Product identification

To correctly identify the product when communicating with Leybold, always have the information from the rating plate available. The nameplate is located next to the power supply connection MAINS X20.

# Description

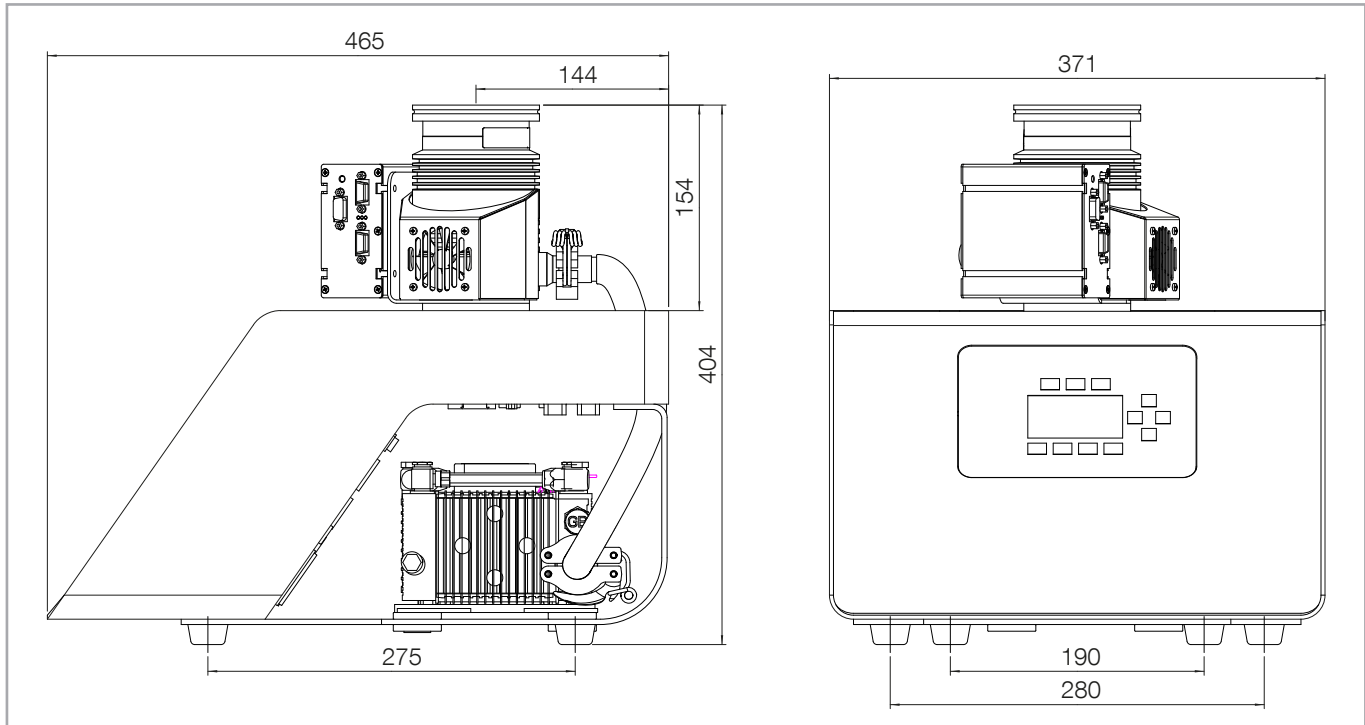


Fig. 1.5 Dimensional drawing TURBOLAB 80, dimensions in mm (exemplary shown)

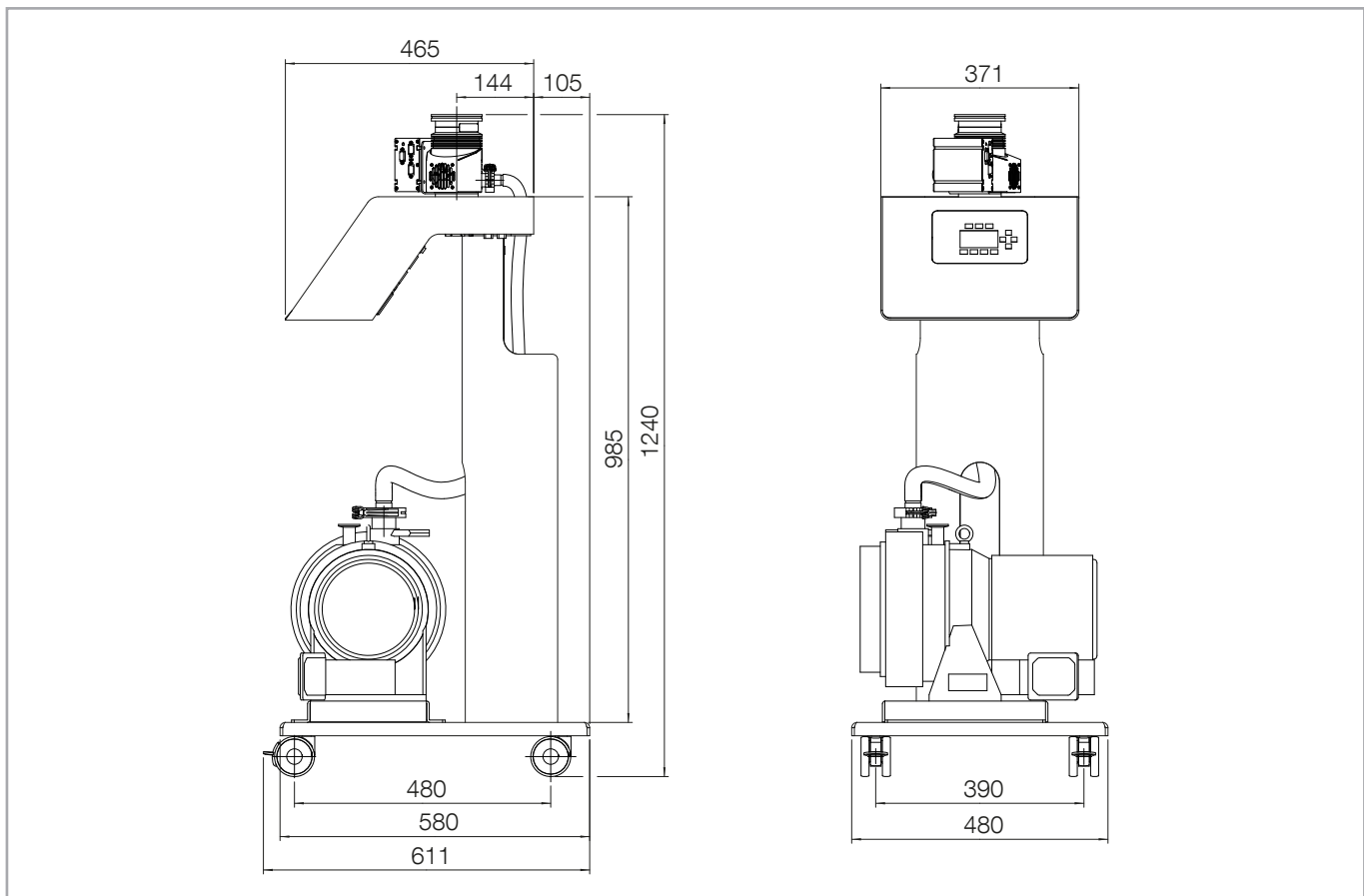


Fig. 1.6 Dimensional drawing TURBOLAB 80 Cart, dimensions in mm (exemplary shown)

# Description

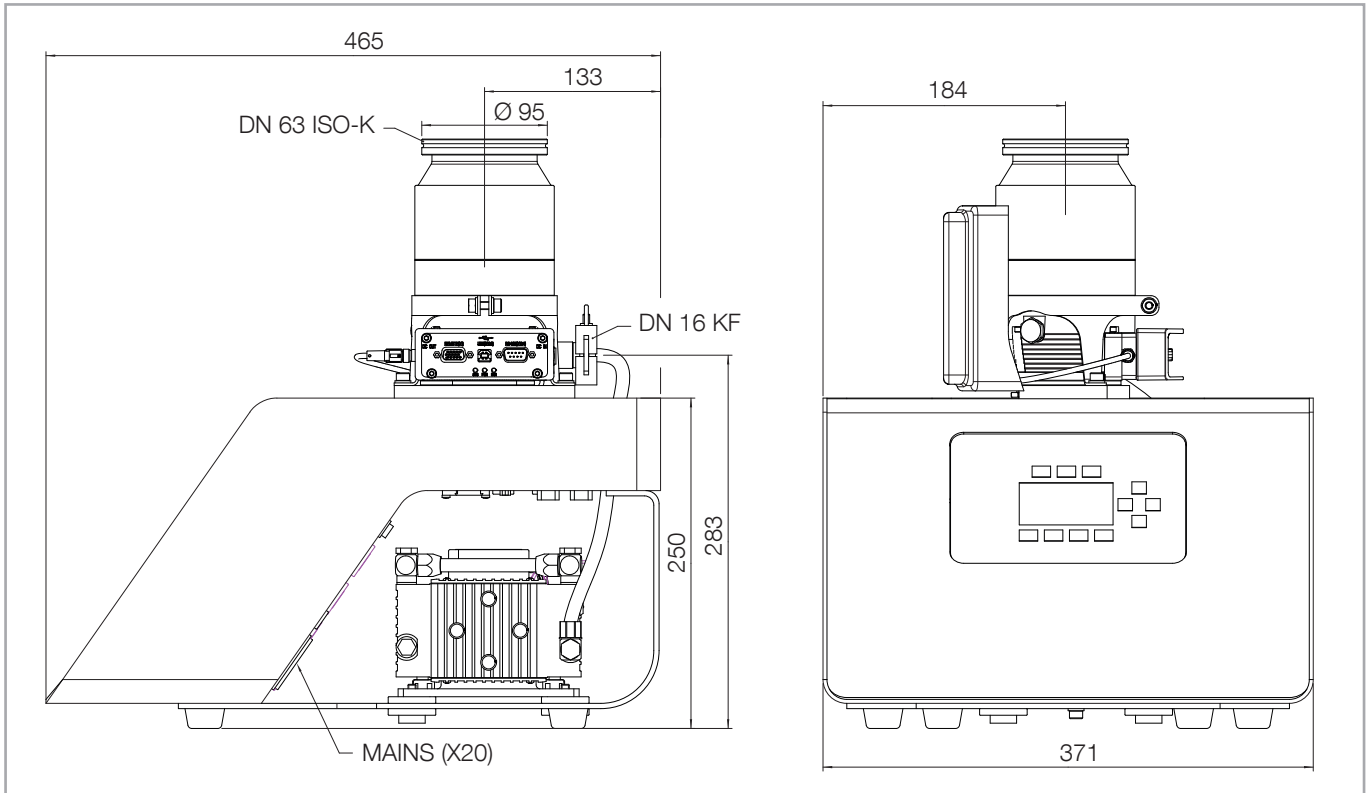


Fig. 1.7 Dimensional drawing TURBOLAB 90, dimensions in mm (exemplary shown)

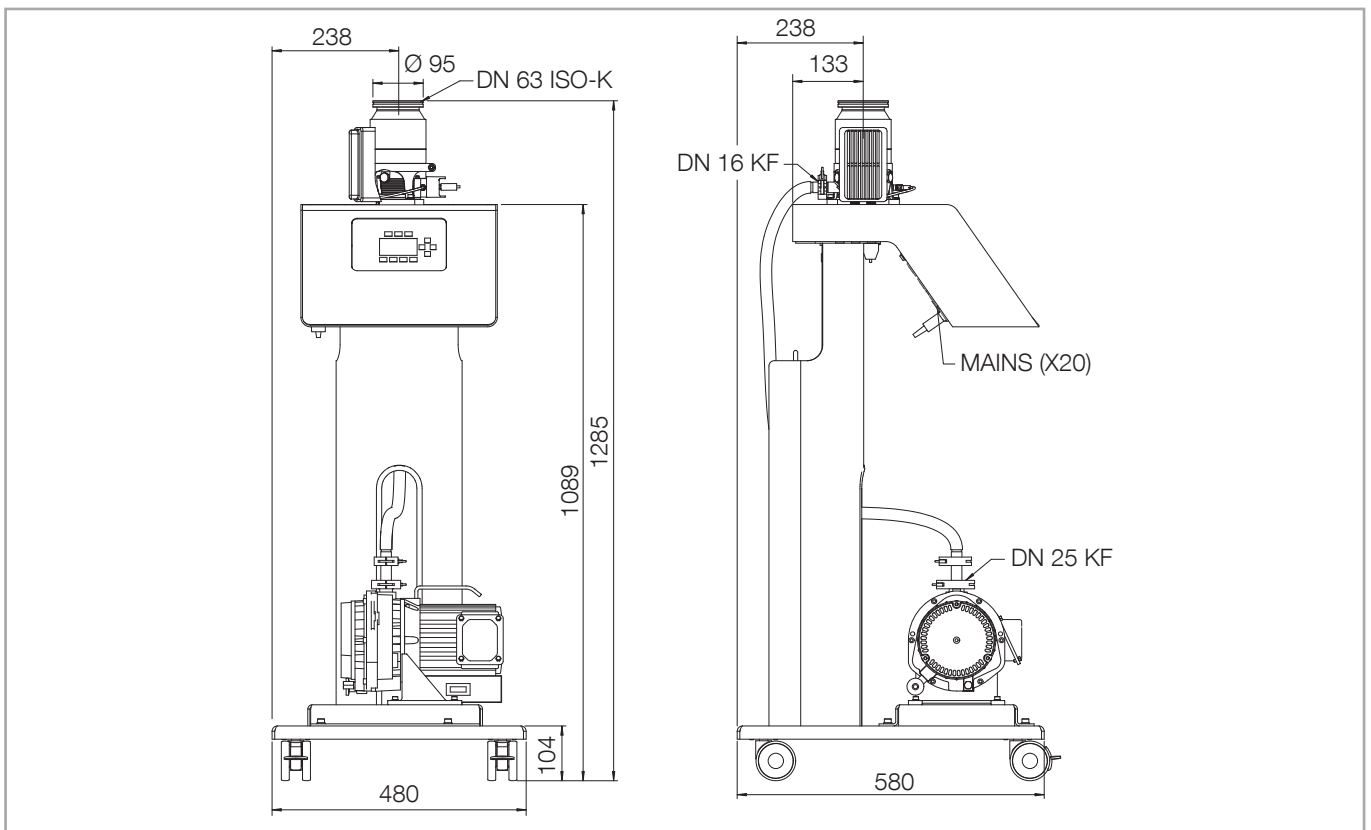


Fig. 1.8 Dimensional drawing TURBOLAB 90 Cart, dimensions in mm (exemplary shown)

# Description

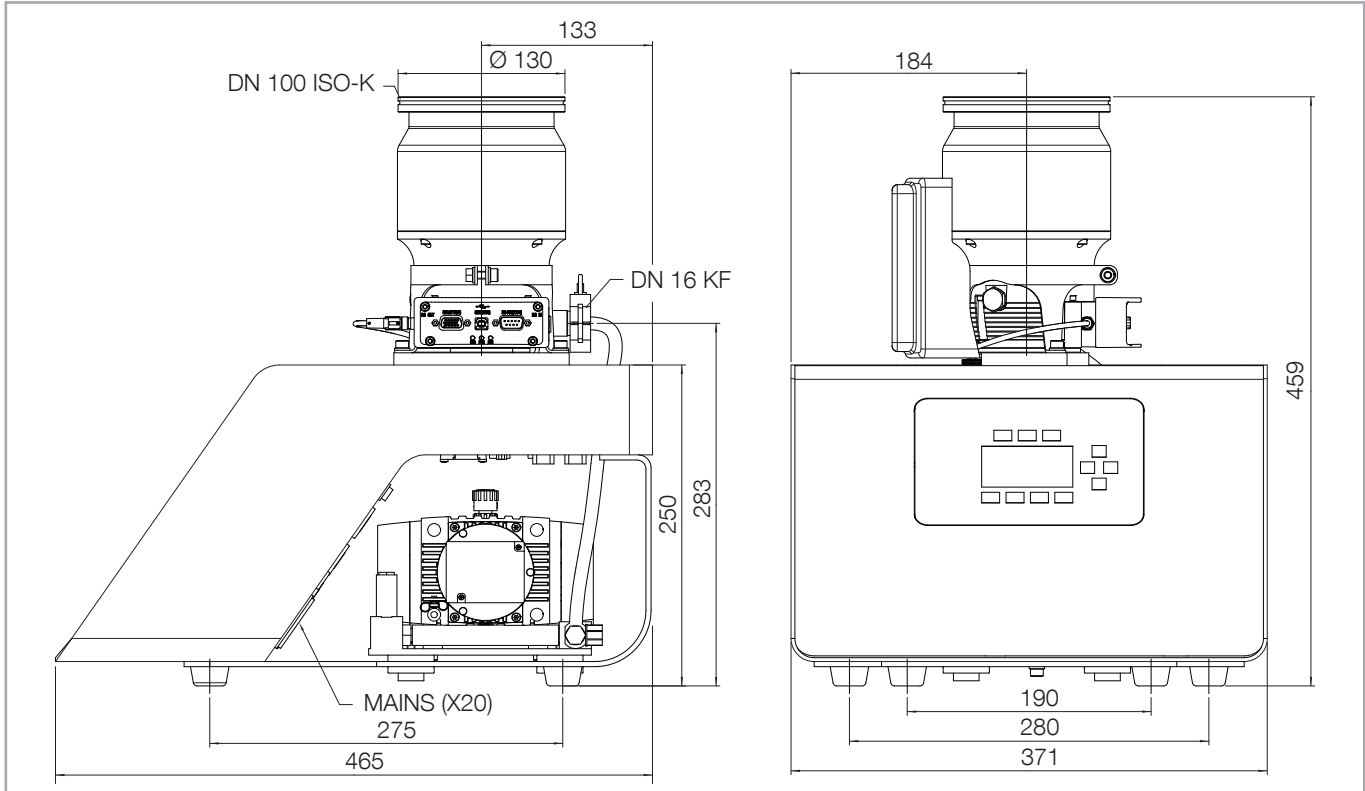


Fig. 1.9 Dimensional drawing TURBOLAB 250, dimensions in mm (exemplary shown)

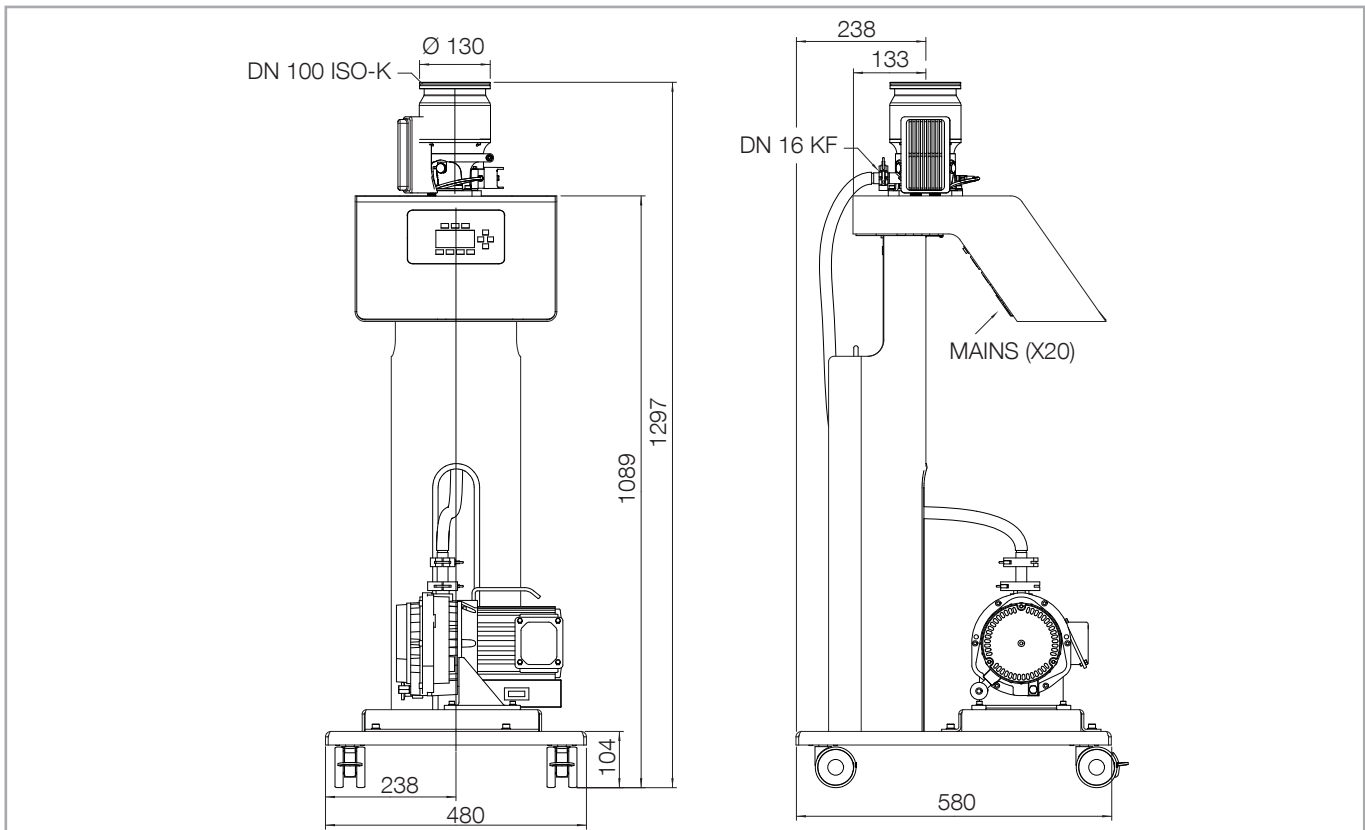


Fig. 1.10 Dimensional drawing TURBOLAB 250 Cart, dimensions in mm (exemplary shown)

# Description

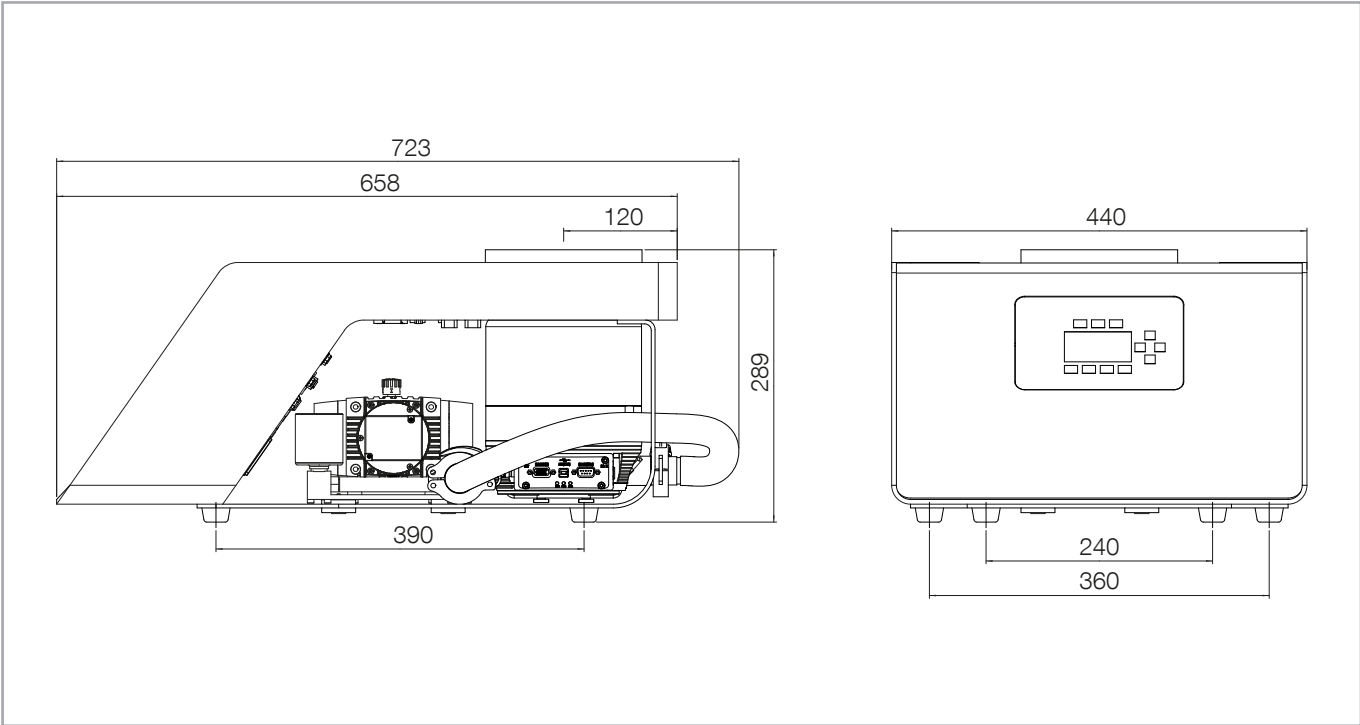


Fig. 1.11 Dimensional drawing TURBOLAB 350/450, dimensions in mm (exemplary shown)

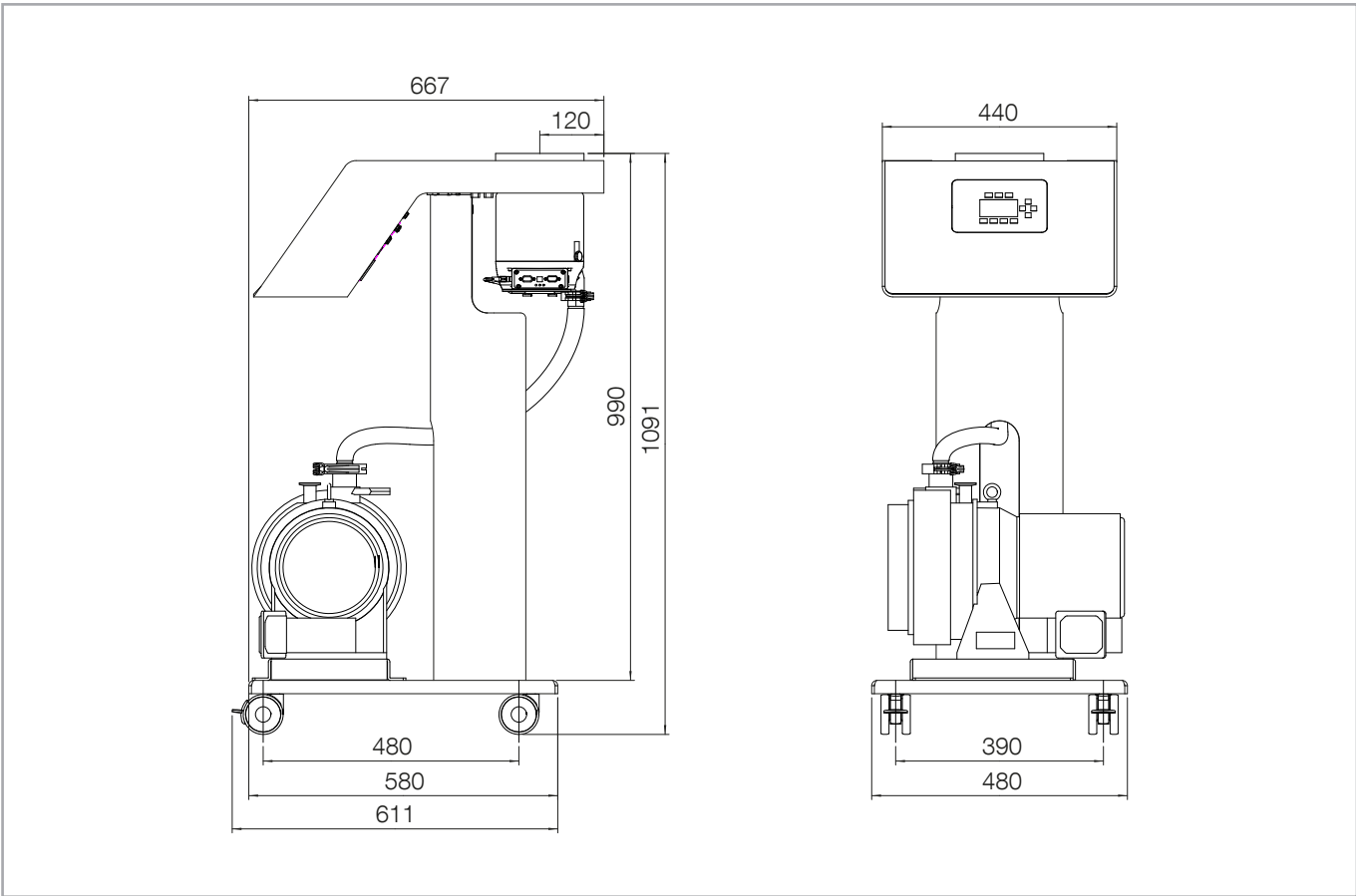


Fig. 1.12 Dimensional drawing TURBOLAB 350/450 Cart, dimensions in mm (exemplary shown)

# Description

## 1.4 Ordering Information

Pump System	TURBOVAC & Frequency converter	Backing Pump	High Vacuum Connection	Frame	Part No. 230 V 50/60 Hz	Part No. 110 V 50/60 Hz
TURBOLAB 80	SL 80 H, TD 400	DIVAC 0.8 T	DN 63 ISO-K	Table	501592V02000000	
			DN 63 CF		501592V03000000	
		without backing pump	DN 63 ISO-K	Table	501592V02200000	
			DN 63 CF		501592V03200000	
			DN 63 ISO-K	Cart	501592V02210000	
			DN 63 CF		501592V03210000	

Pump System	TURBOVAC & Frequency converter	Backing Pump	High Vacuum Connection	Frame	Part No. 230 V 50/60 Hz	Part No. 110 V 50/60 Hz
TURBOLAB 90	90 i	DIVAC 3.0	DN 63 ISO-K	Table	501592V00001000	
			DN 63 CF		501592V01001000	
		SCROLLVAC 7 plus	DN 63 ISO-K		501592V00021000	
			DN 63 CF		501592V01021000	
		SCROLLVAC 15 plus	DN 63 ISO-K		501592V00041000	
			DN 63 CF		501592V01041000	
		TRIVAC D 4 B	DN 63 ISO-K	Cart	501592V00120000	501592V00080000
			DN 63 CF		501592V01120000	501592V01080000
		TRIVAC D 8 B	DN 63 ISO-K		501592V00130000	501592V00090000
			DN 63 CF		501592V01130000	501592V01090000
		SOGEVAC SV 16 D	DN 63 ISO-K		501592V00100000	
			DN 63 CF		501592V01100000	
		without backing pump	DN 63 ISO-K	Table	501592V00200000	
			DN 63 CF		501592V01200000	
DN 63 ISO-K	Cart		501592V00210000			
DN 63 CF			501592V01210000			

# Description

Pump System	TURBOVAC & Frequency converter	Backing Pump	High Vacuum Connection	Frame	Part No. 230 V 50/60 Hz	Part No. 110 V 50/60 Hz
<b>TURBOLAB 250</b>	<b>250 i</b>	DIVAC 3.0	DN 100 ISO-K	Table	501592V08001000	
			DN 100 CF		501592V09001000	
		SCROLLVAC 7 plus	DN 100 ISO-K	501592V08021000		
			DN 100 CF	501592V09021000		
		SCROLLVAC 15 plus	DN 100 ISO-K	501592V08041000		
			DN 100 CF	501592V09041000		
		TRIVAC D 4 B	DN 100 ISO-K	Cart	501592V08120000	501592V08080000
			DN 100 CF		501592V09120000	501592V09080000
		TRIVAC D 8 B	DN 100 ISO-K	Cart	501592V08130000	501592V08090000
			DN 100 CF		501592V09130000	501592V09090000
		SOGEVAC SV 16 D	DN 100 ISO-K	501592V08100000		
			DN 100 CF	501592V09100000		
		without backing pump	DN 100 ISO-K	Table	501592V08200000	
			DN 100 CF		501592V09200000	
DN 100 ISO-K	Cart		501592V08210000			
DN 100 CF			501592V09210000			

# Description

Pump System	TURBOVAC & Frequency converter	Backing Pump	High Vacuum Connection	Frame	Part No. 230 V 50/60 Hz	Part No. 110 V 50/60 Hz
<b>TURBOLAB 350</b>	350 i	DIVAC 3.0	DN 100 ISO-K	Table	501592V04001000	
			DN 100 CF		501592V05001000	
		SCROLLVAC 7 plus	DN 100 ISO-K	501592V04021000		
			DN 100 CF	501592V05021000		
		SCROLLVAC 15 plus	DN 100 ISO-K	501592V04041000		
			DN 100 CF	501592V05041000		
		TRIVAC D 4 B	DN 100 ISO-K	Cart	501592V04120000	501592V04080000
			DN 100 CF		501592V05120000	501592V05080000
		TRIVAC D 8 B	DN 100 ISO-K	Cart	501592V04130000	501592V04090000
			DN 100 CF		501592V05130000	501592V05090000
		SOGEVAC SV 16 D	DN 100 ISO-K	501592V04100000		
			DN 100 CF	501592V05100000		
		without backing pump	DN 100 ISO-K	Table	501592V04200000	
			DN 100 CF		501592V05200000	
DN 100 ISO-K	Cart		501592V04210000			
DN 100 CF			501592V05210000			

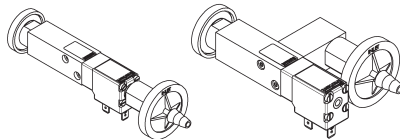
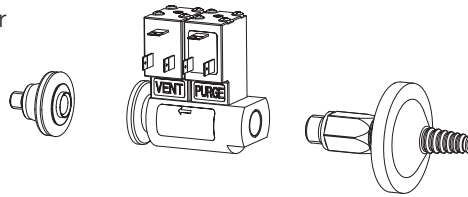
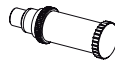
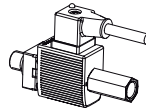
Pump System	TURBOVAC & Frequency converter	Backing Pump	High Vacuum Connection	Frame	Part No. 230 V 50/60 Hz	Part No. 110 V 50/60 Hz
<b>TURBOLAB 450</b>	450 i	DIVAC 3.0	DN 160 ISO-K	Table	501592V06001000	
			DN 160 CF		501592V07001000	
		SCROLLVAC 7 plus	DN 160 ISO-K	501592V06021000		
			DN 160 CF	501592V07021000		
		SCROLLVAC 15 plus	DN 160 ISO-K	501592V06041000		
			DN 160 CF	501592V07041000		
		TRIVAC D 4 B	DN 160 ISO-K	Cart	501592V06120000	501592V06080000
			DN 160 CF		501592V07120000	501592V07080000
		TRIVAC D 8 B	DN 160 ISO-K	Cart	501592V06130000	501592V06090000
			DN 160 CF		501592V07130000	501592V07090000
		SOGEVAC SV 16 D	DN 160 ISO-K	501592V06100000		
			DN 160 CF	501592V07100000		
		without backing pump	DN 160 ISO-K	Table	501592V06200000	
			DN 160 CF		501592V07200000	
DN 160 ISO-K	Cart		501592V06210000			
DN 160 CF			501592V07210000			

## 1.5 Accessories

	Part No.
Mains cable TURBOLAB 230 V, 5 m	800103V0030
Mains cable TURBOLAB 110 V, 5 m	800103V0031
Mains cable TURBOLAB 230 V, UK, 5 m	800103V0037
Y cable TURBOVAC i, M8	800110V0020
Start stop switch for connection to X1 Remote	800110V0021
Backing pumps for TURBOLAB that are delivered without backing pump	
SCROLLVAC 7 plus 200 – 240 V AC / 100 – 127 V AC 50/60 Hz	141007V10
SCROLLVAC 15 plus 200 – 240 V AC / 100 – 127 V AC 50/60 Hz	141015V10
TRIVAC D 4 B 1~ Dual voltage motor 200 - 230V AC / 100 - 115V AC 50/60 Hz	140081
TRIVAC D 8 B 1~ Dual voltage motor 200 - 230V AC / 100 - 115V AC 50/60 Hz	140082
SOGEVAC SV 16 D 1PH world GB ESTER 100 - 230V AC 50/60 Hz	960186V1705
Accessory cable TURBOLAB, M8 - M8 (air cooling & valve connection), 2 m	800110V0016
0.3 m	800103V0001
5 m	800103V0003
Accessory cable TURBOLAB, M12 - M12 (DIVAC 0.8, 3.0), 5 m	800103V0005
Zubehörkabel TURBOLAB, C14 – C19 (SCROLLVAC plus), 5m	800103V0022
1,8 m	800103V0019
Accessory cable TURBOLAB, C14 - C16-1 (TRIVAC 230 V), 5 m	800103V0014
1.8 m	800103V0012
Accessory cable TURBOLAB, C14 - C16-1 (TRIVAC 110 V), 5 m	800103V0016
1.8 m	800103V0013
Accessory cable TURBOLAB, C13 - C14 (SOGEVAC), 5 m	800103V0017
1.8 m	800103V0015
Communication TURBOLAB - TMP (TURBOVAC i and TD 400), 5 m	800103V0029
1 m	800103V0027
Accessory cable TURBOLAB - TURBOVAC i (24 V DC voltage supply), 0.55 m	800103V0018
5 m	800103V0020
Accessory cable TURBOLAB - TD 400 (24 V DC voltage supply), 0.55 m	800103V0021
5 m	800103V0023
Accessory cable TURBOLAB - TURBOVAC 90/250 i (24 V DC voltage supply), 0.55 m	800103V0042
Connection cable Type A, 1.5 m	800103V0032
5 m	12426
Connection cable C14 – valve plug, (Control 110/230 VAC SECUVAC valve), 1.8 m	800103V0033
5 m	800103V0035
Connection cable M8 - valve plug (Control 24 VDC SECUVAC valve), (rectangular cable connector on the valve side) 1.8 m	800103V0034
5 m	800103V0036
Connection cable M8 - valve plug (Control 24 VDC SECUVAC valve), (square-shaped cable connector on the valve side) 1.8 m	800103V0040
5 m	800103V0041
Connection cable M8 –SUB-D plug (Control 24 VDC SECUVAC valve), 1.8 m	800103V0038
5 m	800103V0039
Connection cable TURBOVAC i M8 - bare wire ends (Connection 24 VDC accessories)	800110V0017

# Description

	<b>Part No.</b>
LEYASSIST software for TMPs	230439V01
Air cooling TURBOVAC 350-450 i radial	800136V0005
Air cooling TURBOVAC 90 i radial	800136V0007
Water cooling TURBOVAC i(X)	800135V0005
Water cooling for TURBOVAC SL 80 with G 1/8"connections incl. 2 hose nipples G 1/8", Outer Ø 8 mm for water hose, 2 sealing rings approx. 10x4x1, screws	800135V0001
Air cooler for TURBOVAC SL 80 4 screws M4x10, DIN 912	800136V0001
For TURBOVAC i:	
Venting valve, 24 V DC, G 1/8"	800120V0012
Power failure venting valve 24 V DC, G 1/8"	800120V0022
Purge gas valve, 24 V DC, G 1/8", 24 sccm	800120V0013
Purge gas throttle, G 1/8", 24 sccm	800120V0014
Air filter for TMP, G 1/8"	800110V0022
For TURBOVAC SL 80:	
Purge gas and venting valve 0,4 mbar·l/s at 1 bar, 24 V DC DN 10 KF – G1/4"	800152V0013
Pump connection: Adapter M8 – DN-16-KF incl. O-ring 9.25 x 1.78 and Adapter centering ring DN 10/16 KF with sinter filter	800110V0011
Gas side connection: G1/4-in. adapter with filter Including O-ring and gasket	800110V0012
Connection cable: Accessory cable M8 – bare wire ends	800110V0017
Note: For space reasons, when the frequency converter is installed at the side, only either the air-cooler or a purge gas valve can be connected.	
For TURBOVAC SL 80:	
Venting valve 24 V DC	800120V0011
Power failure venting valve 24 V DC	800120V0021
Spare filter	E 200 18 517
For TURBOVAC SL 80: Flange heater DN 63 CF, 230 V 110 V	854 04 854 07
For TURBOVAC 90 i: Flange heater DN 63 CF, 230 V 115 V	800137V0003 800137V0004
Flange heater DN 100 CF, 230 V 115 V	800137V0005 800137V0006
Flange heater DN 160 CF, 230 V 115 V	800137V0007 800137V0008



# Description

	<b>Part No.</b>
Vibration absorber DN 100 ISO-K	800131V1100
other flange sizes	on request
Centering ring with coarse inlet screen (3.2 mm) DN 63 ISO-K	800133V0011
DN 100 ISO-K	800133V0021
DN 160 ISO-K	800133V0031
Centering ring with splinter guard (0.8 mm) DN 63 ISO-K	800133V0012
DN 100 ISO-K	800133V0022
DN 160 ISO-K	800133V0032
Coarse inlet screen (3.2 mm) DN 63 CF	800132V0011
DN 100 CF	800132V0021
DN 160 CF	800132V0031
Splinter guard (0.8 mm) DN 63 CF	800132V0012
DN 100 CF	800132V0022
DN 160 CF	800132V0032

# Transport and Storing

## 2 Transport and Storing

Remove the equipment from the transportation box and keep the packaging. Make sure that the product has not been damaged during transportation. If this unit is damaged contact your carrier and inform Leybold if necessary. For storage of the product, use the packaging provided.

The pump system must only be detached from the vacuum chamber and moved, provided the pump has been allowed to run down completely and is at a full standstill.

When carrying or lifting the pump system take hold of it only at its base panel or transport it at the crane eye. Pump systems on castors may also be rolled on level and smooth surfaces. After having moved the pump system, lock the front castors.

The pump system may be tilted by 10° maximum.

---

### CAUTION



When lifting and setting down the pump system do not reach under it; hands and feet could be pinched. Do not stand under the suspended pump system while it is being moved.

---

### NOTICE



Do not use the piping or other components to lift or move the pump system.

Do not remove the covers and blanking flanges until you are ready to make the connections, to ensure that the turbomolecular pump is installed under the cleanest possible conditions.

Store the system only after it has been vented with dry air or nitrogen. Place dry cartridges into the flanges and seal the system. Store it at a dry place at -20 to 60 °C and at 95 % max. air humidity, non-condensing.

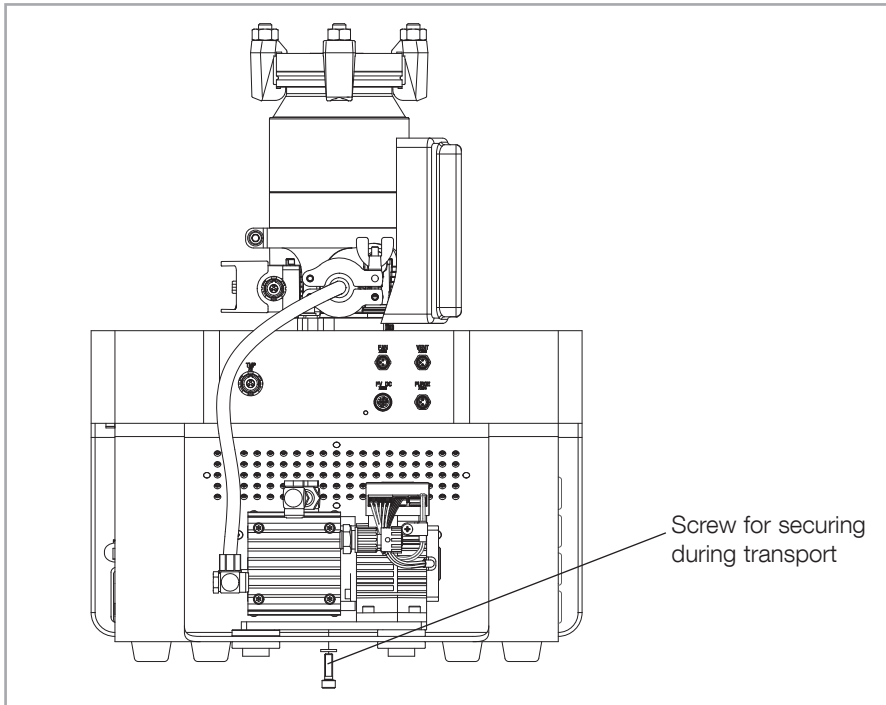


Fig. 3.1 Transport protection for bench-top pump systems

## 3 Installation

### 3.1 Placement

#### Table Pump Systems

Carry or lift the pump system only by lifting it at the frame or at the crane eye. Install the pump system on a level, smooth surface, which is sufficiently large. Remove the transport securing screw.

#### Cart Pump Systems

Unpack the pump system by lifting it at the crane eye. Afterwards unscrew the crane eye and put the cover supplied onto the column. Install the pump system on a level, smooth surface; lock the front castors.

#### Cart Pump Systems with TRIVAC

Connect TRIVAC pump with the included power cable. The connection to the pumping system is already given. The cable is hanging loosely next to the pumping system.

See supplement for operating instructions BB 300623641.

#### All Pump Systems

The high-vacuum connection must be as close as possible to the vacuum vessel.

Install the pump system such that a clearance of at least 10 cm is left on each side of the pump system for ventilation.

# Installation

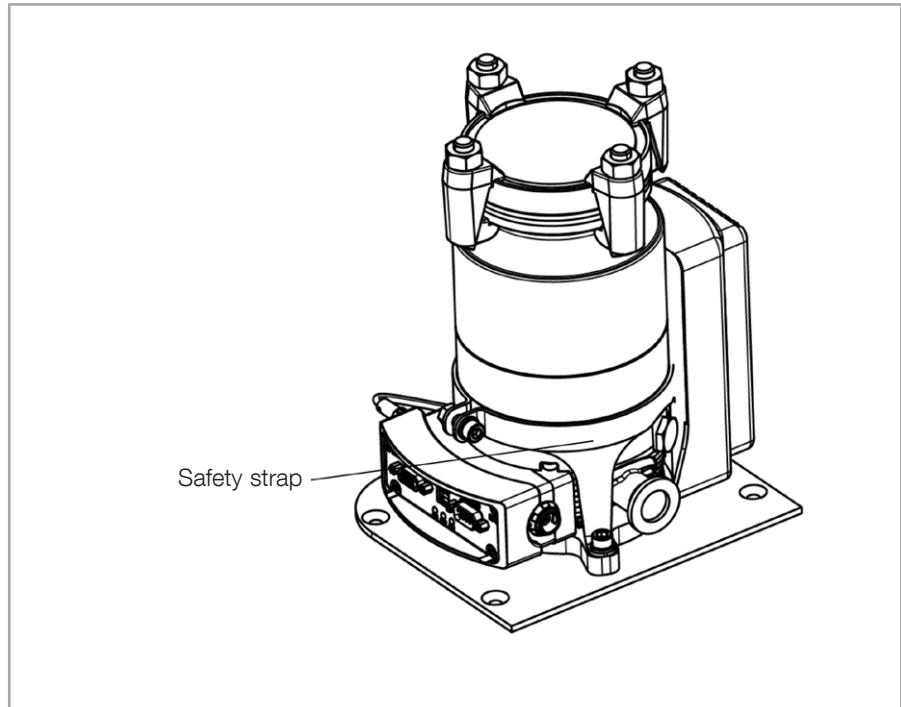


Fig. 3.2 Safety strap

The noise level when the pumps are running is below 70 dB(A). No acoustic insulation is required.

The area around the controls (on/off switches, for example) must remain freely accessible.

Check the installation place regularly as to escaping oil so as to reduce the risk of slipping.

Do not move the pump system without first switching it off and allowing the turbo pump and backing pump to come to a complete stop.

Only put the TURBOLAB 90 and 250 into operation if the pump is fastened securely on the TURBOLAB by means of the safety strap.

## **3.2 Conforming Use**

The turbomolecular pump systems TURBOLAB are turnkey vacuum units for pumping vacuum vessels to pressures in the high-vacuum range.

The standard versions are not suitable for pumping dusty, aggressive or corrosive media. Please consult us. Note also Section 0.3 Hazards Caused by Materials and Substances.

Note also the information on conforming utilization given for the individual pumps and components.

## **3.3 Ambient Conditions**

The magnetic field and the radiation at the pump system must not be too strong. For this refer to the Operating Instructions of the turbomolecular pump.

The ambient temperature should be between 12 °C and 35 °C.

Places of installation up to 1000 m above sea level (3300 ft) are possible without restrictions. At altitudes over 1000 m heat dissipation by the ambient air is impaired. Please consult us.

The pump system must not be operated in explosive gas atmospheres. The standard version of the product is not suited for operation in explosion hazard areas.

The pump system must only be used in indoor rooms. Protect the pump system and the connecting lines against splash water and condensing water.

### 3.4 Installing the Backing Pump

For TURBOLAB pumping systems that are delivered without backing pump.

The TURBOLAB pumping system must not be switched on or operated without connected backing pump.

The turbo pump cannot reach its nominal speed without suitable forevacuum pressure. In this case, the system would go into malfunction mode. The malfunction is indicated on the display.

The backing pump must be designed for the pumping speed and the required forevacuum pressure of the turbo pump. Please refer to the operating instructions of the turbo pump.

The function and safety of the TURBOLAB is given with the backing pumps and connection lines listed in the Accessories section. Only these pumps and connection lines are approved for use.

If a different backing pump is used, the user must evaluate the mechanical and electrical safety. Please refer to the operating instructions of the backing pump.

Connected backing pumps and connection lines must meet the safety requirements of the IEC 61010 standards.

In its delivery status, the TURBOLAB without backing pump will not tip over at an angle  $\leq 10^\circ$ . However, depending on the construction on the TURBOLAB, that value can change.

#### Connecting backing pump with 110 V AC or 230 V AC

Connection at output of TURBOLAB - X211 FV AC. See Figure 3.14 and 3.15.

The voltage range of the backing pump must match the specifications of the voltage range on the nameplate of the TURBOLAB.

With a specified range of 100 V AC to 230 V AC on the TURBOLAB nameplate, adjust the pump to the supply mains. The voltage that is fed in at MAINS X20 corresponds to the voltage at the backing pump connection X211 FV AC.

The backing pumps listed in the Accessories section may be connected to the TURBOLAB without restrictions at the TURBOLAB output X211 FV AC with the appropriate cable.

If a different backing pump is used, please take note of the following:

- The required current for the backing pump may not exceed 8 A.
- There is no overload protection. The user must install an overload protection.
- The output X211 FV AC is not fused separately, but protected against short circuiting via the input fuses MAINS F1 and F2 (16 AT).
- Check cable length and cross section of the connection line.
- The laying of the connection line must comply with general safety regulations.
- Take note of the rotational direction of the backing pump.

- Please refer to the operating Instructions of the backing pump.

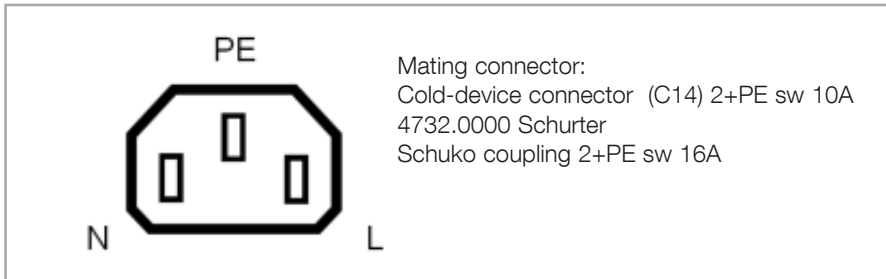


Fig. 3.3 Assignment X211 FV AC (view from outside)

### Connecting backing pump with 24 V DC

Connection at output of TURBOLAB - X206 FV DC. See Figure 3.14 and 3.15.

- The output X206 is protected with an 8 AT fuse (F4 - FV DC).
- The required current for the backing pump may not exceed 6 A.
- Check cable length and cross section of the connection line.
- The laying of the connection line must comply with general safety regulations.
- Take note of the rotational direction of the backing pump.
- Please refer to the operating Instructions of the backing pump.

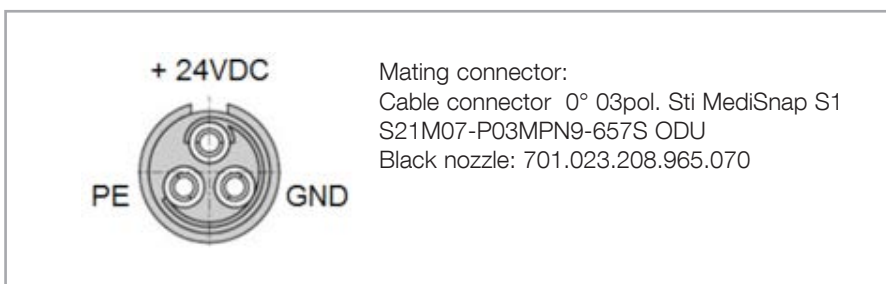


Fig. 3.4 Assignment X206 FV DC (view from outside)

# Installation

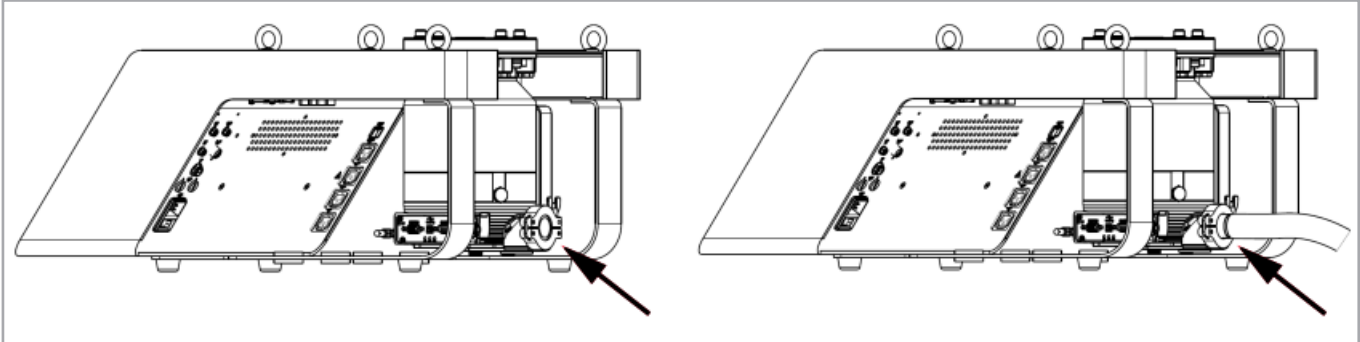


Fig. 3.5 Forevacuum connector

## Mechanical connection

Remove blind flange at forevacuum connection of the turbo pump.

Connect centering ring, clamping ring and connection line of forevacuum pump at the forevacuum connector of the turbo pump.

## 3.5 High Vacuum Connection

### CAUTION



Never touch the rotor of the TURBOVAC. Touching the rotor may cause injury and damage the rotor bearing.

The TURBOVAC must only be operated after it has been connected to a vacuum chamber or piping or after it has been firmly blanked off with a blank flange. If after the installation there remains the risk of accessing the rotor, then an inlet screen must be fitted.

Do not start the TURBOVAC at atmospheric pressure.

Do not remove the transport covers on the pump until shortly before fitting, to ensure that the TURBOVAC is fitted under the cleanest conditions.

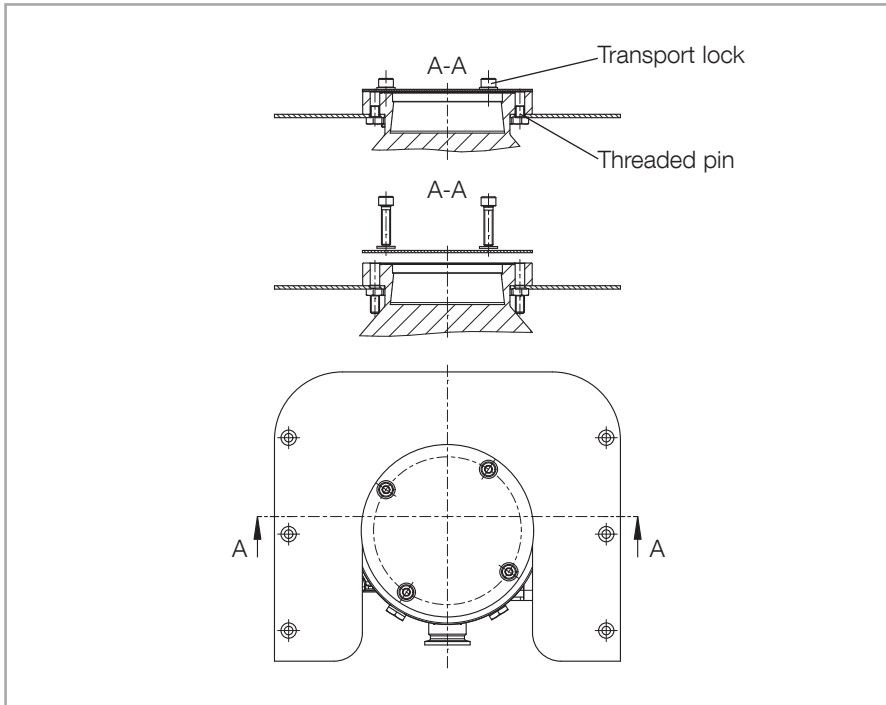


Fig. 3.6 Transport lock of the CF pump systems TURBOLAB 350 / 450

## CF pump systems TURBOLAB 350 / 450

The TURBOVAC is no longer secured once the transport screw has been removed.

Ensure therefore, immediately after removing the transport protection, that a vacuum vessel or pipe connection is immediately connected to the HV flange and installation plate.

The TURBOVAC is equipped with two threaded pins to prevent falling, but nevertheless allow the pump to be lifted out. The threaded pins can be removed in either direction by turning the Allen screws, without lifting at the pump.

## All pump systems

Pay attention to maximum cleanliness when connecting.

The TURBOVAC generates little noise or vibration. The TURBOVAC must not be influenced by vibration from other machinery.

Foreign objects which enter the pump via the high vacuum connection can cause serious damage to the rotor. An inlet screen must therefore be fitted.

The TURBOVAC is precision balanced and is generally operated without a resonance damper. To decouple extremely sensitive equipment and to prevent transfer of external vibrations to the pump a special resonance damper is available for mounting at the high-vacuum flange.

# Installation

<b>Fastening torques for the high vacuum flange connection</b>			
Connection	Pump	Number	Fastening torque
Clamps ISO-K	TURBOVAC SL 80 (H) / 90 i / 250 i	4x M10	20 Nm
Claws for sealing surface in the base plate ISO-K	TURBOVAC 350 i	8x M8	20 Nm
Claws for sealing surface in the base plate ISO-K	TURBOVAC 450 i	8x M10	20 Nm
Bolts for collar flange ISO-K	TURBOVAC SL 80 (H) / 90 i	4x M8	20 Nm
Bolts for collar flange ISO-K	TURBOVAC 250 i / 350 i	8x M8	20 Nm
Bolts for collar flange ISO-K	TURBOVAC 450 i	8x M10	35 Nm
Bolts for CF flange	TURBOVAC SL 80 (H) / 90 i	8x M8	15 Nm
Bolts for CF flange	TURBOVAC 250 i / 350 i	16x M8	15 Nm
Bolts for CF flange	TURBOVAC 450 i	20x M8	15 Nm

Mount the TURBOVAC with the high vacuum flange firmly onto the vacuum vessel. For this use a sufficient number of mounting bolts.

## NOTICE



The contact surfaces of pump housing, vacuum system and centering ring must be free of grease and dry so as to ensure adequate strength in case the rotor should seize.

### 3.5.1 Removing the TURBOVAC Pump from the Pump System

The TURBOVAC can operate in any position. It can also be dismantled from the pump system and only be fixed at the vacuum vessel. Please note in this case the regulations relating to the firm attachment of the TURBOVAC as detailed in the TURBOVAC Operating Instructions.

Disassembly: to remove the turbomolecular pump, loosen the six bolts at the mounting panel (see fig. 3.7).

Fit in the mounting panel to the pump system to a tightening torque of 5 Nm.

5 m long wiring between the removed pump and the TURBOLAB pump system is available. See Section Accessories.

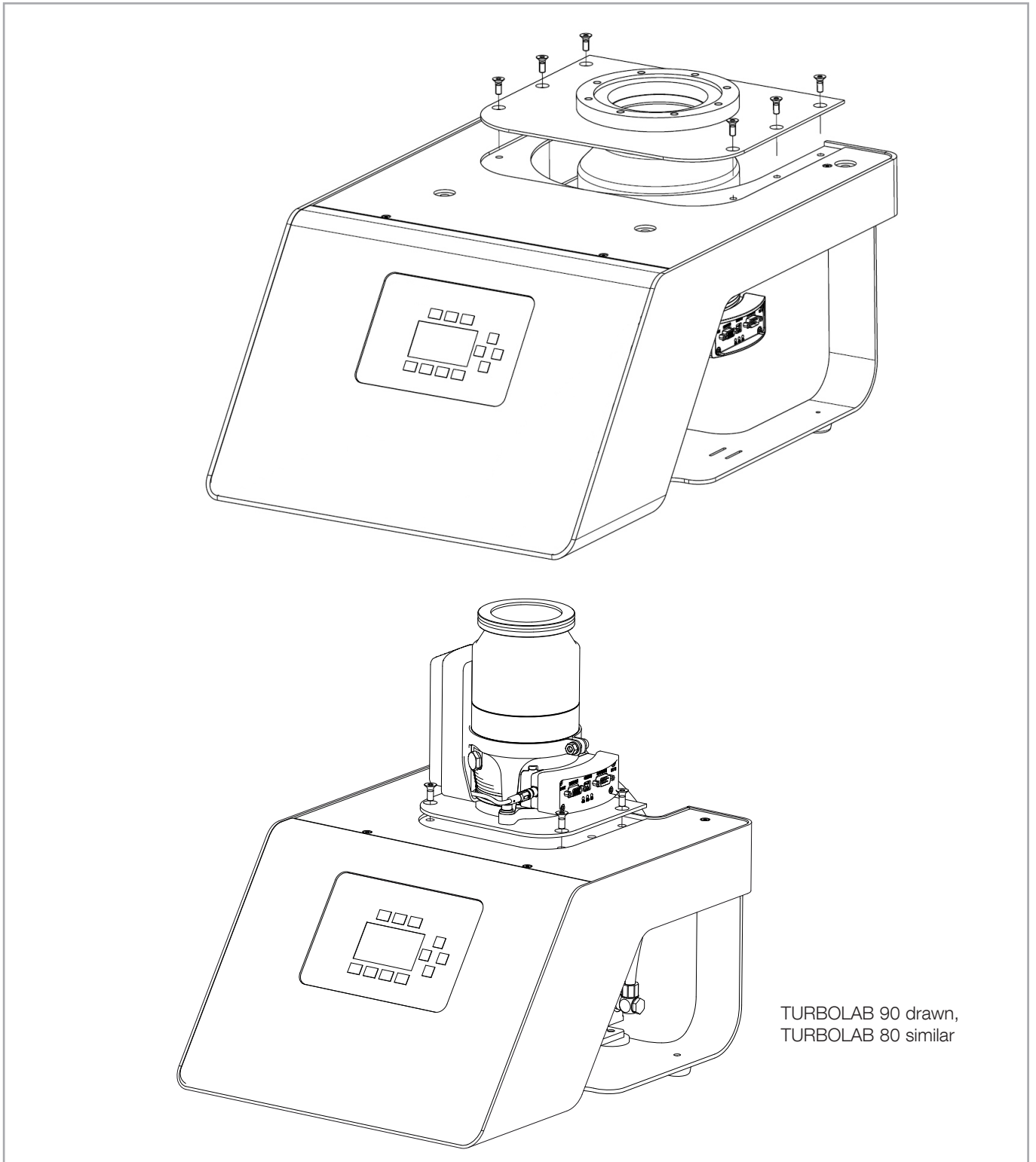


Fig. 3.7 Removing the mounting panel

## 3.6 Connecting the Exhaust Line

We urgently recommend to connect the exhaust of the backing pump to an exhaust line to prevent process gases or oil mists from being distributed within the room. This applies in particular when no exhaust filter has been connected. When not connecting an exhaust line, we recommend fitting of an exhaust filter in the case of oil-sealed vacuum pumps.

The cross-section of the exhaust line must at least match the inside diameter of the connections.

---

### CAUTION



Smaller cross sections may cause an undesirable overpressure within the system. Do not start up the system with a constricted or blocked exhaust. Ensure that any valves or blocking devices in the exhaust line are open. Clogged exhaust lines will reduce the available pumping speed, increase temperature and cause overloading of the pump motors or a dangerous overpressure within the system. There is the risk of bursting.

---

The exhaust lines should be laid so that they drop down and away thereby preventing condensate from flowing back into the pumps.

---

### DANGER



If within the system toxic substances or gases are being used, then the operator will be responsible for ensuring that the corresponding safety precautions are introduced!

---

## 3.7 Connect the Cooling

The backing pump is air-cooled; the TURBOVAC pump is convection, air or water cooled depending on the specific order.

Cooling of the pump depends on the required pumping power and the ambient temperature. When the pump is insufficiently cooled it will shut down.

High gas throughputs, cyclic operation or high ambient temperatures will necessitate air or water cooling.

The air cooler is connected to the accessories connection X205 (Fan).

### Air Cooling

When installing air cooled pumps within a system ensure that sufficient quantities of fresh air are freely available.

The accessory connection is so pre-configured that the air cooler will always be running when the pump is running. To change this setting: Menu → Accessory → Fan.

## Water Cooling

Connect the cooling water hoses.

The hose connections may be unscrewed and removed, to make use of the integrated G 1/8"-threads.

### 3.7.1 Cooling Water

Adjust the cooling water temperature so that the formation of condensate is avoided. With pump downtimes the cooling water has to be turned off.

When switching the cooling water supply on and off by means of an electrically actuated valve, connect the valve so that it will be switched on and off together with the pump.

The cooling water pressure must not exceed 6 bar.

In order to ensure long trouble-free operation the cooling water must not contain any oils, greases and suspended solids. Moreover, we recommend compliance with the following limit values:

Appearance	Clear, free of oils and greases
Suspended matter	< 250 mg/l
Particle size	< 150 µm
Electrical conductivity	< 700 µS/cm
pH value	7.0 to 9.0
Total hardness (total alkaline earths)	< 8 °dH
Aggressive carbon dioxide	None, not detectable
Chloride	< 100 mg/l
Sulphates	< 150 mg/l
Nitrate	≤ 50 mg/l
Iron	< 0.2 mg/l
Manganese	< 0.1 mg/l
Ammonium	< 1.0 mg/l
Free chlorine	< 0.2 mg/l

8 °dH (degrees German hardness) = 1.4mmol/l

= 10 °e (degrees English hardness)

= 14 °f (degrees French hardness)

If there is the danger of frost, you may use a water glycol mixture of up to 30 %.

DS water can be used for cooling the pump, if the pH value corresponds to the range indicated above.

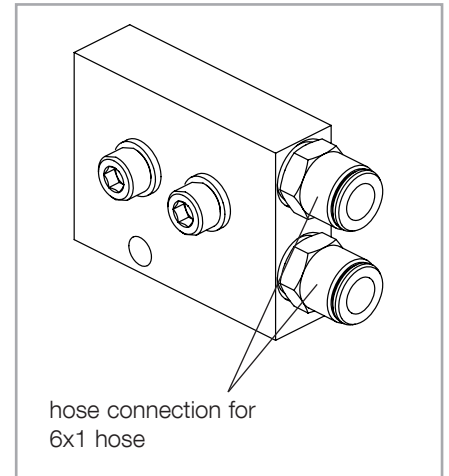


Fig. 3.8 Cooling water block of the TURBOVAC 90/250/350/450 i

# Installation

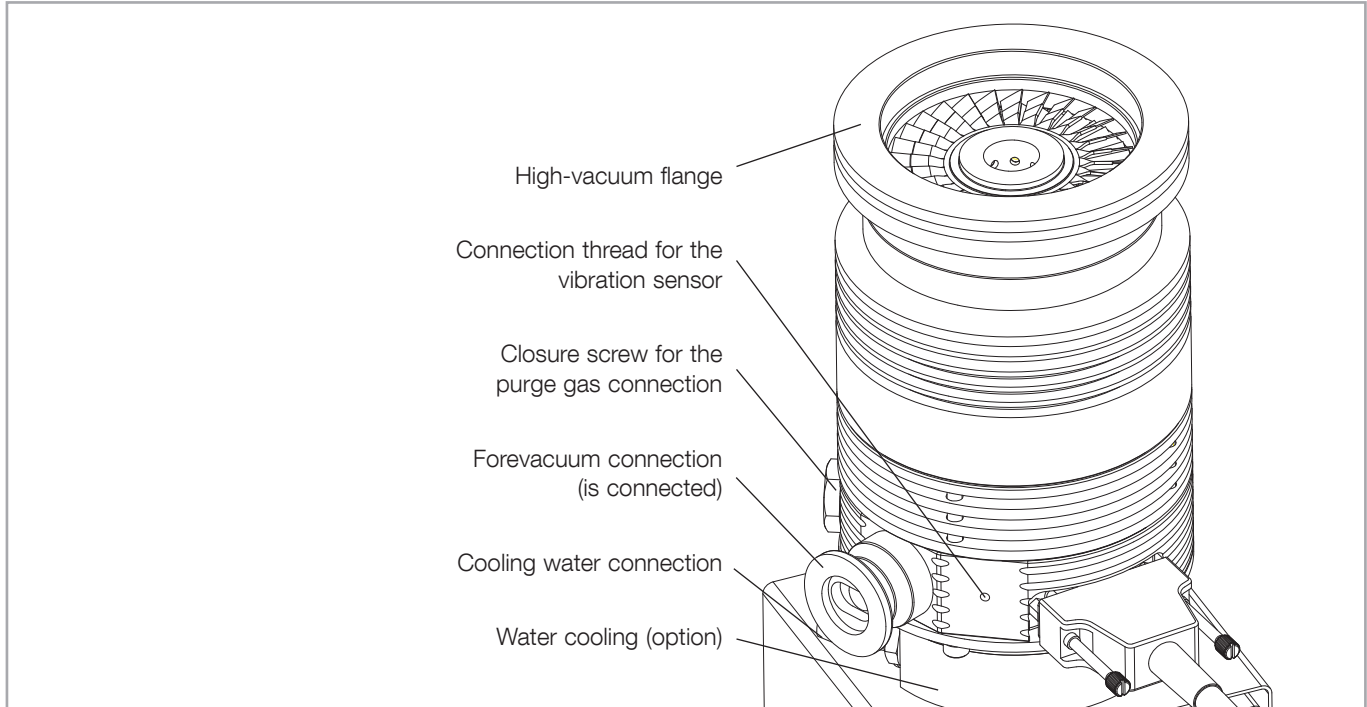


Fig. 3.9 Connections at the TURBOVAC SL 80

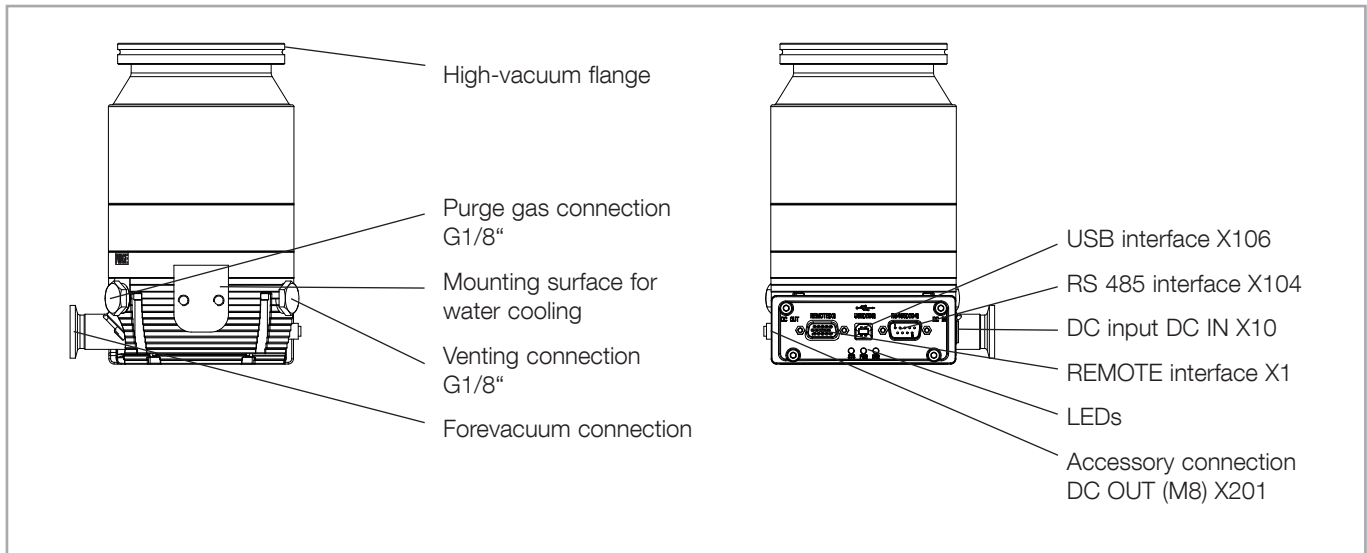


Fig. 3.10 Connections at the TURBOVAC 90 i, TURBOVAC 250 i is similar

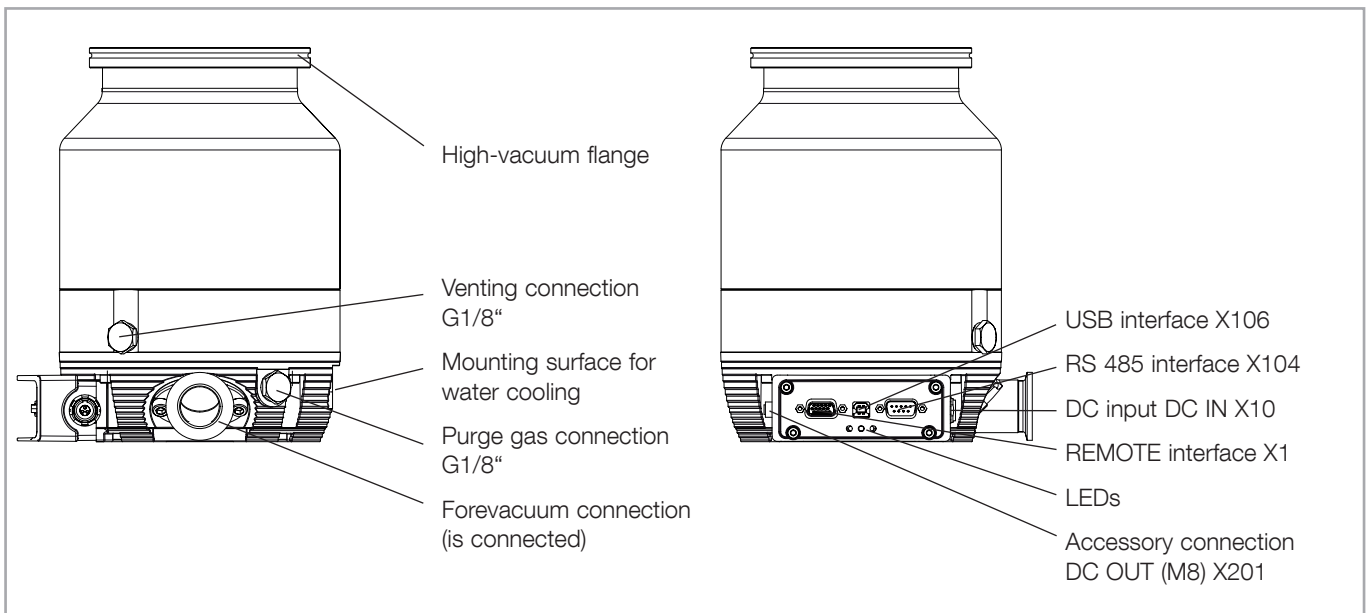


Fig. 3.11 Connections at the TURBOVAC 350/450 i

### 3.8 Connect a Power Failure Venting Valve or a Venting Valve

The power failure venting valve (normally open) or venting valve (normally closed, vents at stop command) vents the pump and the forevacuum line when the pump is switched off and thus keeps oil vapor from diffusing back from the forevacuum line. A choke nozzle in the vent port ensures that the pump is not vented too fast.

The max. permissible pressure in the pump must not exceed 1.4 bar (abs.).

Unscrew and remove the locking screw and the gasket from the venting connection of the TURBOVAC.

Screw in the venting valve and the gasket into the vent connection, then plug in the corresponding control cable into the X203 accessories connection on the TURBOLAB. The accessory connection is pre-configured for the vent valve operation. The vent valve will be triggered depending on the frequency of the TURBOVAC by default. If you have connected a power failure venting valve (normally open) you must change the operation output of X203; Menu → Accessory → Vent → change the operation to Power failure vent (via the TPU interface); If the pump station loses power then the vent valve will open.

For an overview of the connections, see fig. 3.14 and 3.15.

If applicable connect the venting gas supply at the valve's inlet (G1/8").

To change the venting valve function code go to Menu → Accessory → Vent (via the TPU interface).

The pressure in the pump must not exceed atmospheric pressure.  
Observe Safety Information 0.1.2 to 0.1.5.

#### WARNING



# Installation

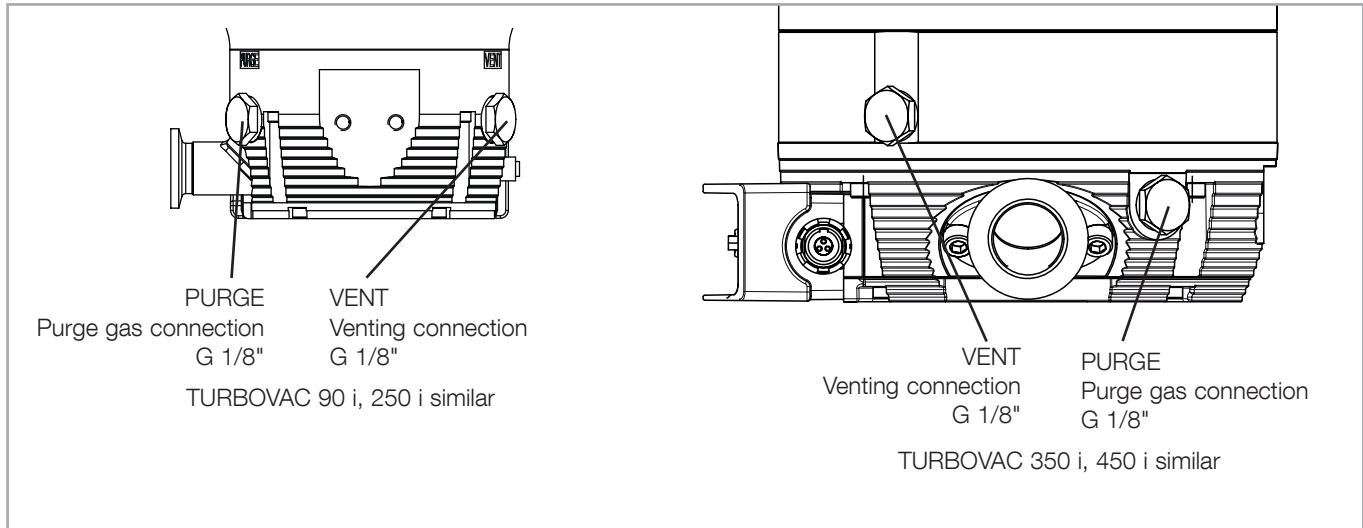


Fig. 3.12 Venting and purge gas connections

## NOTICE



Connect a purge gas or venting valve to the correct flange. Confusing the venting and purge gas flange can cause shock venting of the pump.

### 3.9 Connect Purge Gas

When having to decide which gases need or not need to be pumped with purge gas we are available to provide assistance.

Refer to Section 4.1 for suited gases.

Consider the additional purge gas flow when selecting a suitable backing pump.

We recommend a purge gas flow of 0.4 mbar·l/s (24 sccm) with Nitrogen.

## WARNING



The pressure in the pump must not exceed atmospheric pressure. Observe Safety Information 0.1.2 to 0.1.5.

The purge gas is fed either through an activated valve or a manually operated throttle.

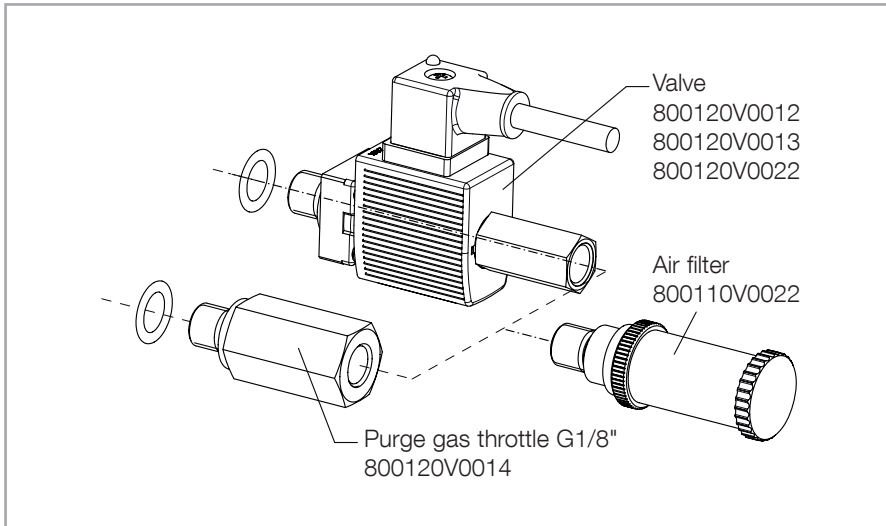


Fig. 3.13 Fitting valve

### Purge gas connection with purge gas valve

Unscrew and remove the locking screw and the gasket from the purge gas connection of the TURBOVAC.

Screw in the purge gas valve and the gasket into the thread, then plug in the corresponding cable into the accessories connection X204. Thereafter change the function for the accessory connection to "Always On" or "Active at Start Command", as the default is always set to Off. To change the venting valve function code go to Menu → Accessory → Purge (via the TPU interface).

Connect the purge gas supply at the valve's inlet (G1/8").

### Purge gas connection with purge gas throttle

Unscrew and remove the locking screw and the gasket from the purge gas connection of the pump.

Then screw in the throttle and the gasket into the thread.

### 3.10 Connect the SECUVAC valve

A normally closed valve must be used (NC).

Use output FV AC (X210) for a110 / 230 VAC valve. The valve switches parallel to the backing pump.

For a 24 V valve use the PURGE output (X204) and set the start command function via the display (or the web server) for the PURGE connection, see section 4.4.2.

# Installation

## 3.11 Connect a Flange Heater

For TURBOVACs with CF flange

If pressures in the range of  $10^{-8}$  mbar or below are to be developed, the vacuum chamber and the components installed therein will have to be baked out. In addition, the TURBOVAC can be baked out using the flange heater provided for this purpose.

Connect the flange heater to the TURBOLAB at X208. It can be switched on manually at the switch above.

Information on baking out is also given in Section 4.7.

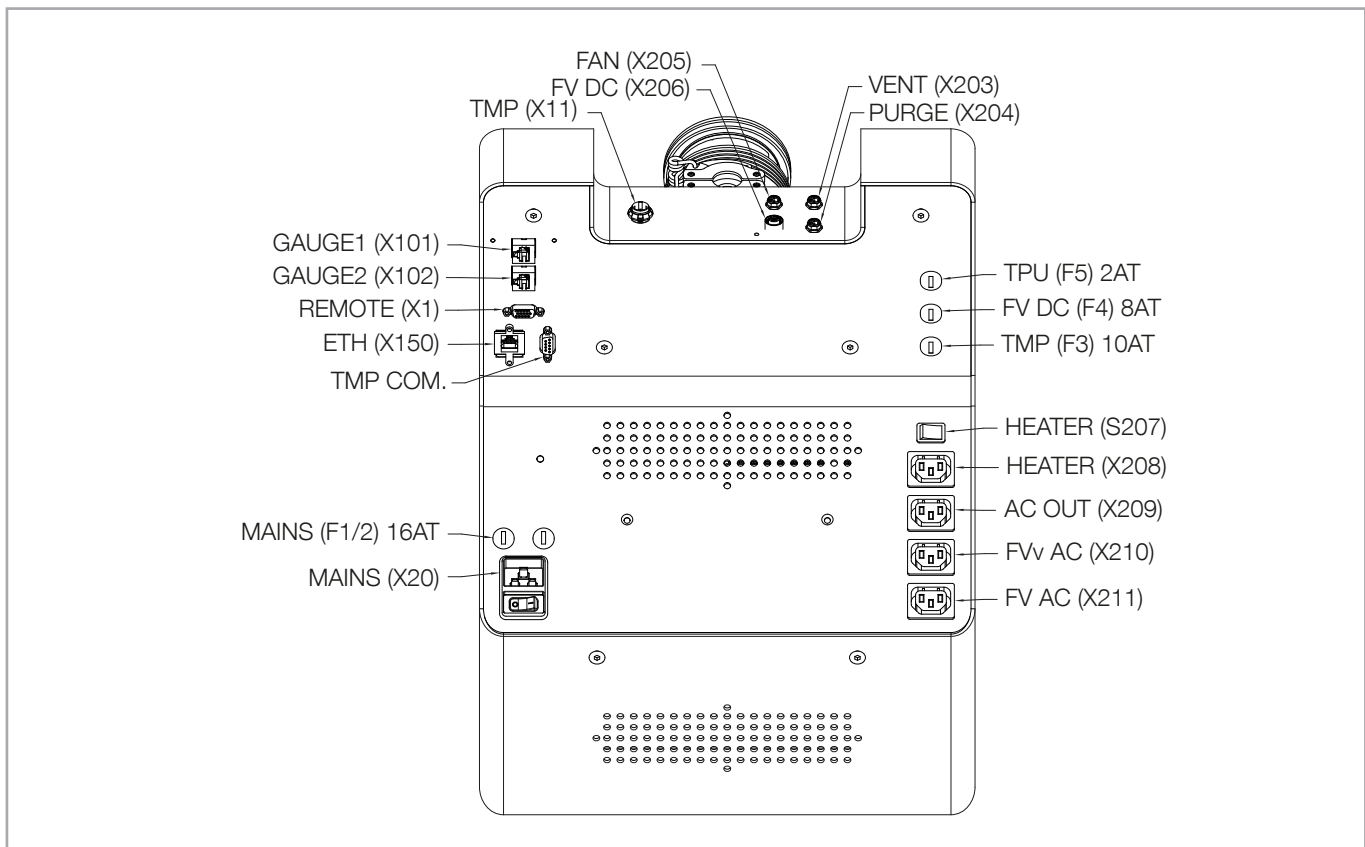


Fig. 3.14 Electric connections, fuses and switches (bottom view onto TURBOLAB 80, 90, 250, 80 Cart, 90 Cart and 250 Cart)

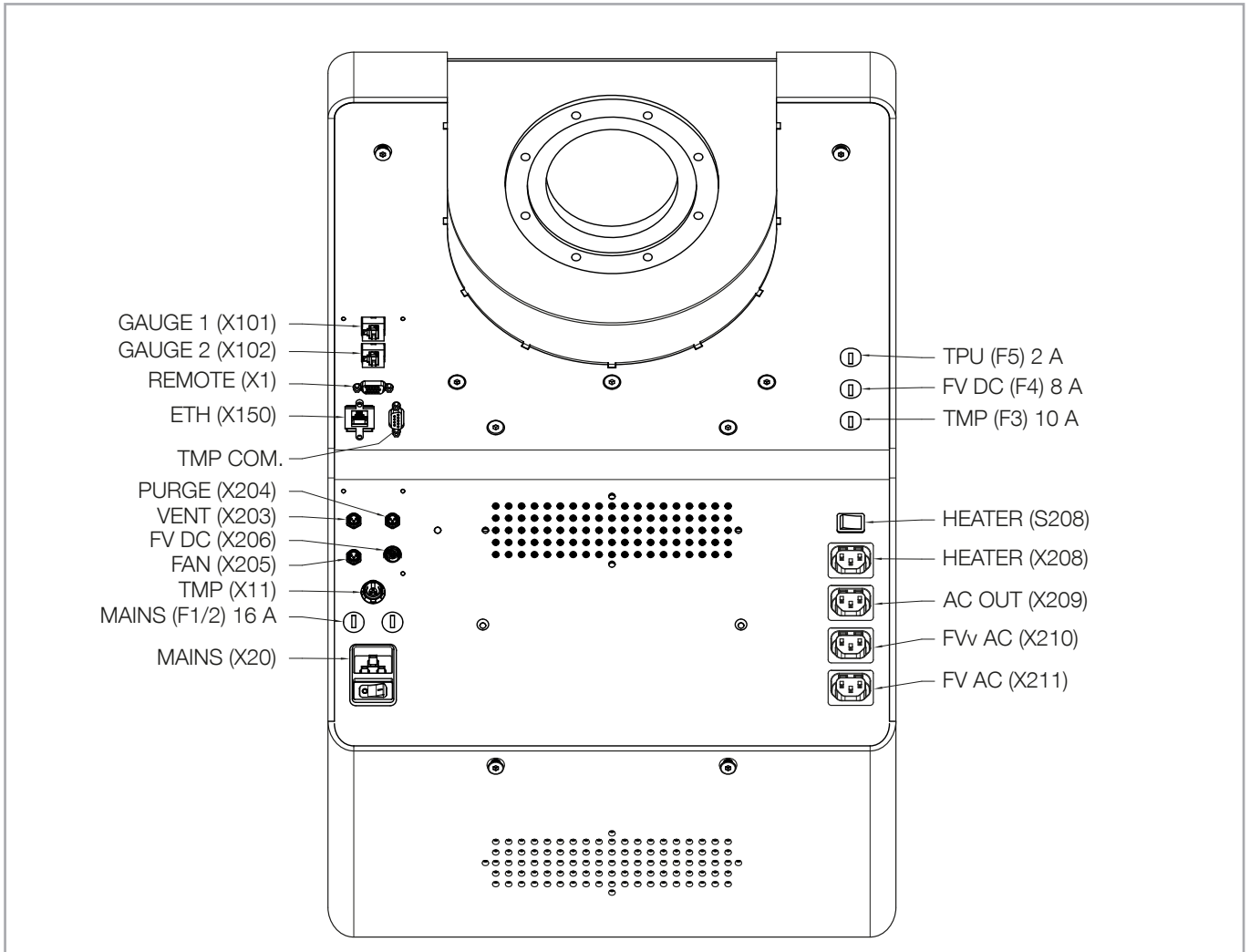


Fig. 3.15 Electric connections, fuses and switches (bottom view onto TURBOLAB 350/450 und 350/450 Cart)

### 3.12 Connect a Gauge

Two gauges can be connected to the TURBOLAB, see Section 4.2. Use gauge ports X101 & X102 for connecting gauges.

### 3.13 Connect a PC/Mobile Device

Use the RJ-45 Comm. port to connect a PC and use the web server interface.

In order to be able to operate the pump system through the Ethernet interface, the control hierarchy in the display must be changed to X1 Ethernet. Otherwise, it will only be possible to read parameters.

---

**WARNING**



## 3.14 Electrical Connection

The pump system shall be operated only at the line voltage specified on the data plate.

Do not open the switchbox and do not remove any covers from the electrical equipment. Do not disconnect any earth connections!

Unplug any connectors only when the mains voltage is switched off **and** the pump does no longer turn. (LEDs are off)

---

The shockproof sockets to which the pump system is connected, must be equipped with a suitable overcurrent circuit breaker. After having provided the electrical connection, check to ensure that the overcurrent circuit breaker is operating properly.

A mains power disconnecting device must be easily accessible and located between 0.6 meters and 1.9 meters above the access level. We recommend an upper limit of 1.7 meters.

Plug the mains cable into the mains socket.

For an overview of the connections, see fig. 3.14 and 3.15.

When connecting accessories, use only original Leybold oil filters and gas admission filters since the design of these components is such that proper earthing is ensured.

Before commissioning, check all connections for tightness.

## 4 Operation

### 4.1 Media Compatibility / Purge Gas

The pump system is suitable for pumping air and clean gases.

If reactive gases in low concentrations must be pumped operate the pumps with purge gas.

We would be glad to consult with you as regards the media which can safely be handled with this unit.

Install a micropore filter when pumping media which contains dust.

Suited for venting or purging are all gases,

- which will not cause corrosion or pitting in aluminium and steel and
- which in connection with process deposits in the pump will not cause corrosion or sticking.


For venting and as the purge gas we recommend inert gases like nitrogen or argon. The temperature of these gases should be between 5 °C and 80 °C, max. relative humidity should not exceed 10 ppm.

The gas must be clean.

In individual cases and after consultation also dry, filtered, oil-free air or filtered ambient air may be used (filter mesh < 1 µm).

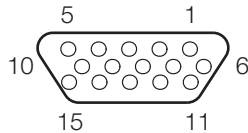
Change the filters after some time, at least annually.

## 4.2 Interfaces

Designation	Description
X101 & X102 - Gauge 1 & Gauge 2	At the TURBOLAB two vacuum gauge heads can be connected. For this, two of the following six types can be used: PTR 90, PTR 90N, TTR 91, TTR 91N, TTR101, TTR 101N.
TMP Com.	RS 485 – communication to the turbomolecular pump (Start/Stop, read/write parameter).
X150 ETH	Connect a computer to the RJ-45 COM interface and use the web server interface. (Software updating, data logging etc.).
X1 Remote	24VDC input/output + analog out - for connecting a PLC  In order to be able to operate the pump system through the interface, the control hierarchy in the display must be changed to X1 Remote..
X204 Purge	Connection for purge gas valve (default: always off).
X203 Vent	Connection for venting valve (default: active, frequency dependent after Stop command).
X206 FC	Connection for 24VDC backing pump (default: active for start command).
X205 Fan	Connection for fan (default: active for start command).
X11 TMP	Power supply for 24VDC turbomolecular pump
F1/2	110/230 VAC inlet fuse.
F3	24 VDC fuse for turbomolecular pump.
F4	24 VDC fuse for backing pump.
F5	24 VDC fuse for display (TPU)
X208	110/230 VAC power supply for heating tape (switched through S208).
X209 	110/230 VAC power supply (constantly on) (1 A maximum).
X210	110/230VAC power supply for forevacuum valve (switched via internal relay) (default active for start command).
X211	110/230VAC power supply for backing pump (switched via internal relay) (default: active for start command).
X20	110-230VAC power supply for TURBOLAB (plus On/Off switch).

## REMOTE X1

15-pole Sub-D female  
High Density

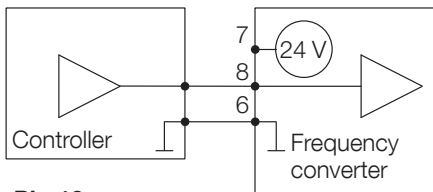


Maintain pin 6 Signal GND and pin 13 Analog GND separate so as to avoid equalisation currents.

Pin	Name	Description
1	Error relay	(com)
2	Error relay	(n.c.)
3	Normal operation relay	(n.o.)
4	Normal operation relay	(com)
5	Normal operation relay	(n.c.)
6	Signal GND	
7	High level output	24 V, 100 mA, Tolerance acc. to device supply voltage
8	Start input (High) Reset input (Low)	High > 10 V ± 0,5 V Low < 7.5 V ± 0,5 V
9	Error relay	(n.o.)
10	Standby input	High > 10 V ± 0.5 V Low < 7.5 V ± 0.5 V
11	Cooling/Venting valve input (Low)	High > 10 V ± 0.5 V Low < 7.5 V ± 0.5 V
12	Analog output (Default: Frequency)	0 ... 10 V, 2 mA
13	Analog GND	
14	Warning relay	(n.c.)
15	Warning relay	(com)
Shield	Connected with pump housing	

### Start/Stop input

0 V = STOP/Error reset  
24 V = START



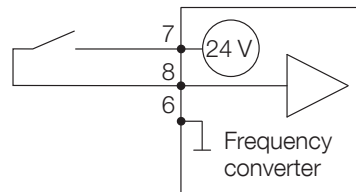
#### Pin 10

0 V = no Standby operation  
24 V = Standby operation

#### Pin 11

0 V = no function  
24 V = Cooling or valve is activated

Contact open = STOP/Error reset  
Contact closed = START



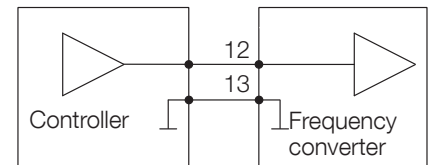
#### Pin 10

Contact open: no Standby operation  
Contact closed: Standby operation

#### Pin 11

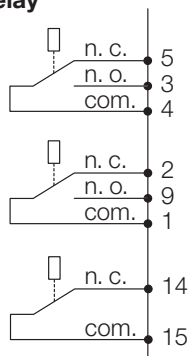
Contact open: no function  
Contact closed: Cooling or valve is activated

### Analog output



Functions of the analog output  
see next page

### Relay



#### Normal operation relay

4 and 5 connected (normal position)  
4 and 3 connected

Run-down, run-up, stop  
Normal operation

Relay functions  
see Section 4.4.3

#### Error relay

1 and 2 connected (normal position)  
1 and 9 connected

No error  
Error

#### Warning relay

14 and 15 connected (normal position)  
14 and 15 open

No warning  
Warning

Fig. 4.1 REMOTE interface X1

# Operation

## Functions of the analog output

Pressure Gauge 2

Pressure Gauge 1

Input voltage

Frequency (Default)

Motor Current

Pump Temperature

## Analog output setting

In order to scale the analog output's 0-10 volt output signal to the reading to be emitted, it is sometimes possible to adjust the limits of the analog output. These limits can be altered under the Parameters menu under Menu → Parameters → I31\_0 and/or I31\_1.

For example, if you want to output the pressure reading of a gauge as an analog output option, enter the value 8924 for the I31\_0 parameter (upper limit ana out). This value corresponds with the ambient pressure (1013 mbar). All additional analog output options can also be scaled to the desired region by changing these limits (I31\_0 and/or I31\_1).

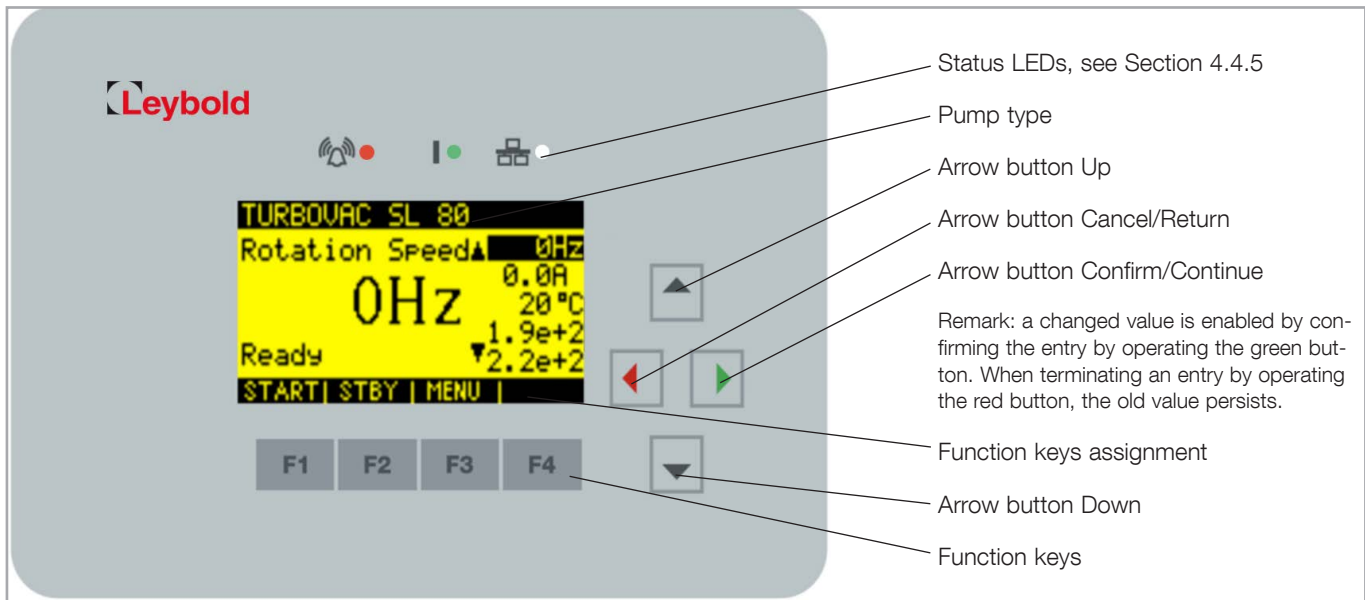


Fig. 4.2 TPU display with keys

## 4.3 Switching On

Check the oil level of the TRIVAC or SOGEVAC.

Release possible blockages in exhaust outlet.

If condensable gases and vapors are to be pumped, open the gas ballast valve of the backing pump.

Operate the pump system at the TPU with the help of the function keys. You will find an overview over the menu on the following pages.

For water cooled TURBOVACs open the cooling water supply.

Avoid causing jolts or vibration when operating the pump system.

## 4.4 Operation

### 4.4.1 Menu

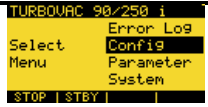



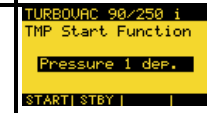

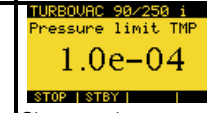
Main Screen				
Turbopump speed	Turbopump motor current	Turbopump bearing temperature	Gauge 1	Gauge 2

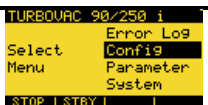
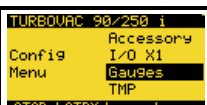

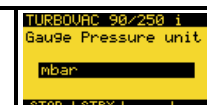

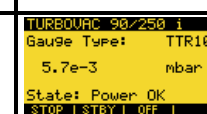
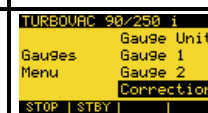
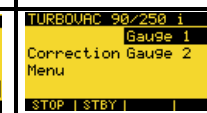
Error log				
Error log of the turbopump	Error history of the turbopump	Error log details		

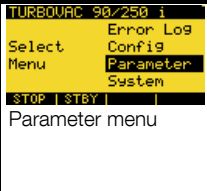
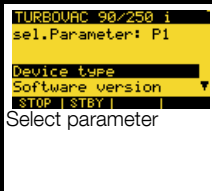
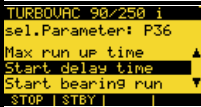



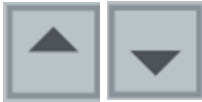

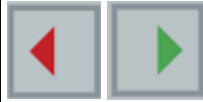
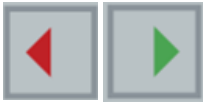
Accessory menu and X1					Description
					Selection for the venting valve output function X203.
					Selection for the purge gas valve output function X204
					Selection for the fan gas valve output function X205.
					Selection for the backing pump output function X206. Corresponds with X210 & X211
					Selection for the relay normal operation on the X1 interface

The limit values may be changed in the respective configuration menu for the accessory output. Shown here are the default settings. The individual functions for the accessory outputs are described in one of the following chapters. To simplify the diagram, setting up of the relay errors, warnings and the analogue output is not described here.

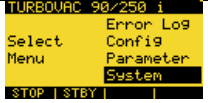
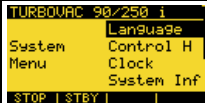
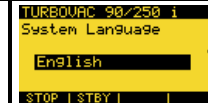
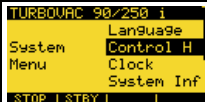
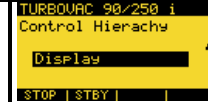




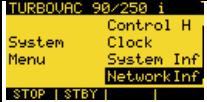
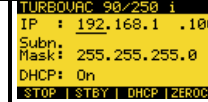
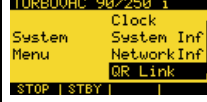

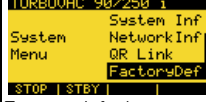
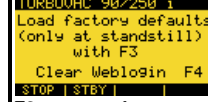
# Operation

Turbopump menu				Description
				The turbomolecular pump starts with the start command. The value entered under "Press. Val." is not used here.
				The turbomolecular pump starts depending on the pressure provided the pressure at vacuum gauge head X 101 has dropped below its threshold.
				Setting up the limit value for pressure dependent switching on of the turbomolecular pump.
Further functions for the turbomolecular pump are described in one of the following chapters.				

Gauges menu				Description
				You may change between mbar, Torr and Pascal. The setting is carried over to the main screen.
				Display of type, measured value, unit of measurement, status. Through "Off" (F3) the vacuum gauge head may be deenergised.
				The gas correction factor must be set up according to the information given in the Operating Instructions for the respective vacuum gauge head.
Further functions for the turbomolecular pump are described in one of the following chapters.				

Parameter menu					Description
					
					When changing the parameter it will flash and be shown underlined.  Thereafter you are queried whether the parameter shall be saved permanently. When confirming this message, the changed value is maintained even after power cycling. When not saving the value, the old value will be active again after a power cycling.
					
<p>Saving can take several seconds. During this time, the pump must not be disconnected from its power supply. Initiating the saving process will cause all preceding changes to be saved.</p>					

# Operation

System menu			Description
			
	Language	Change language	
			
	Control hierarchy	Change control hierarchy	Here you can define from where the pump can be operated (display, X1, Ethernet)
			
	Clock	Setting the time	Setting the system time and date
			
	System information	Display system information	Display Firmware version, TPU serial number, pump serial number
			
	Network information	Display the current IP address, subnet mask and DHCP status	Display the IP address for activation of the webserver, DHCP setting and basic IP address settings
			
	QR Link	Display the QR link	For opening the webserver
			
	Factory defaults	F3, reset to factory defaults	Resets all parameter changes to factory defaults.

## 4.4.2 Function Codes of the Accessory Connections

The start command always relates to the start command for the turbomolecular pump.

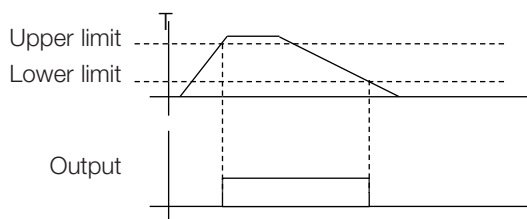
In case of a setup switch-on delay for the turbomolecular pump start, the backing pump is switched on without taking this switch-on delay into account (in case of a corresponding function code).

The respective accessory output can be configured through the submenu "Accessories" indicated on the display or by the web server.

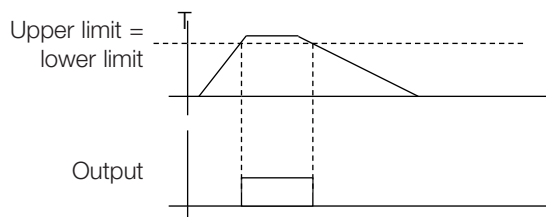
### Function X205 Fan

Function code	Function	
0	Always off	The output is always disabled
19	Always on	The output is always enabled
28	Pump is turning	<b>Default:</b> The output is set when the pump is turning
29	frequency dependent	The output is set when the frequency exceeds the upper limit. When the frequency drops below the lower limit, the output is reset again. adjustable parameter: upper limit adjustable parameter: lower limit
30	bearing temperature dependent	The output is set when the bearing temperature exceeds the upper limit. When the bearing temperature drops below the lower limit, the output is reset again. adjustable parameter: upper limit adjustable parameter: lower limit

#### State diagram frequency dependent/bearing temperature dependent (29, 30)



When upper limit = lower limit is set up then the output switches as soon as the limit is exceeded and it switches off again when the value drops below the limit.

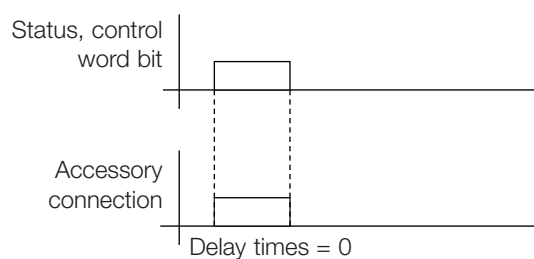


# Operation

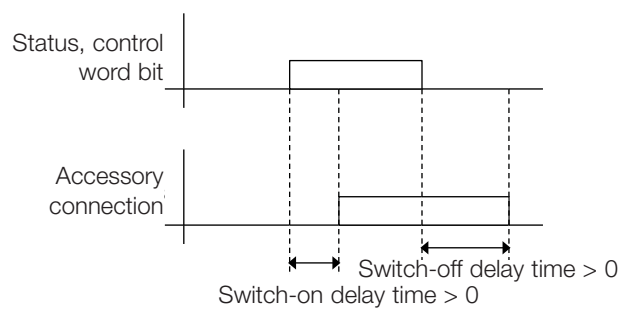
## Function X204 Purge gas valve

Function code	Function	
0	Always off	<b>Default:</b> The output is always disabled
19	Always on	The output is always enabled
33	Start command	The output is active when starting the turbomolecular pump. adjustable parameter: Switch-on delay time adjustable parameter: Switch-off delay time

### State diagram Start command 33



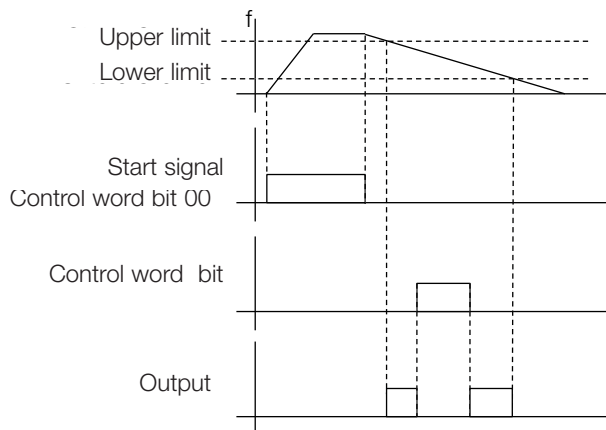
Additionally, a switch-on/switch-off delay time can be set up. The delay time is entered in milliseconds.



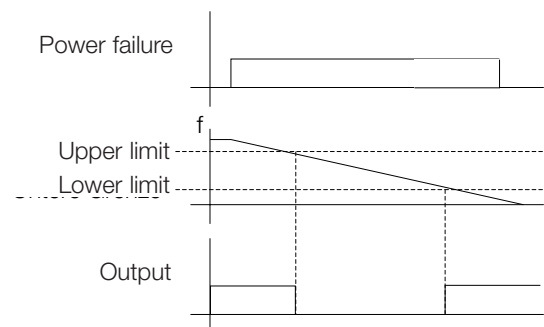
## Function X203 Venting valve

Function code	Function	
0	Always off	The output is always disabled
19	Always on	The output is always enabled
36	frequency dependent	<p><b>Default:</b> the output is set when the start command is not set and the frequency is within the two limits. When the lower limit is tripped, the output is reset.</p> <p>adjustable parameter: upper limit</p> <p>adjustable parameter: lower limit</p>
25	power failure venting	<p>Within these limits, the relay is switched off in the event of a mains power failure.</p> <p>adjustable parameter: upper limit</p> <p>adjustable parameter: lower limit</p>
39	no start command	The output is active when no start command is present.
41	Venting in case of power failure & venting depending on frequency	<p>The outlet Vent (X203) is permanently activated/controlled after connection of the supply voltage and while the pump is coming up to speed.</p> <p><b>Situation 1: Power cut/drop in voltage</b> If the power supply fails (power supply warning code error code 103), the vent outlet (X203) is switched off between frequencies I247[1] and I248[1] (as with 36, frequency dependent).</p> <p><b>Situation 2: STOP command</b> If a STOP command is issued (control word bit = 0), the vent outlet (X203) is switched off between frequencies P28[1] and P647[1] (as with 25, power failure venting).</p>

**State diagram frequency dependent 36**



**State diagram power failure venting (25)**

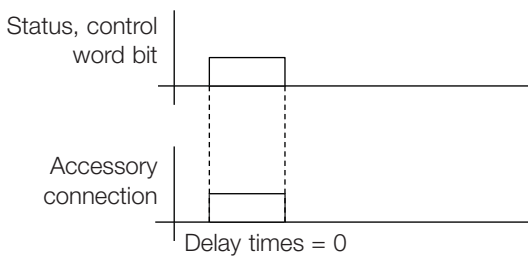


# Operation

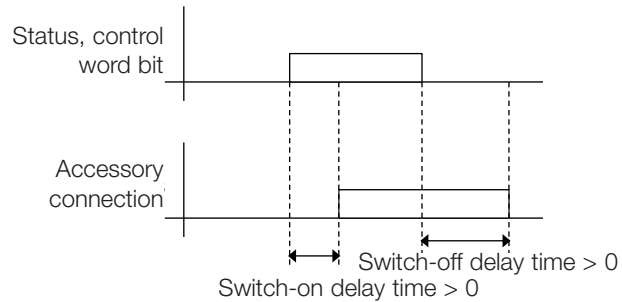
## Functions 24VDC Output backing pump (X206, X210, X211)

Function code	Function	
0	Always off	The output is always disabled
19	Always on	The output is always enabled
34	Start command	<b>Default:</b> the output is active upon Start. adjustable parameter: Switch-on delay time adjustable parameter: Switch-off delay time

### State diagram Start command 34

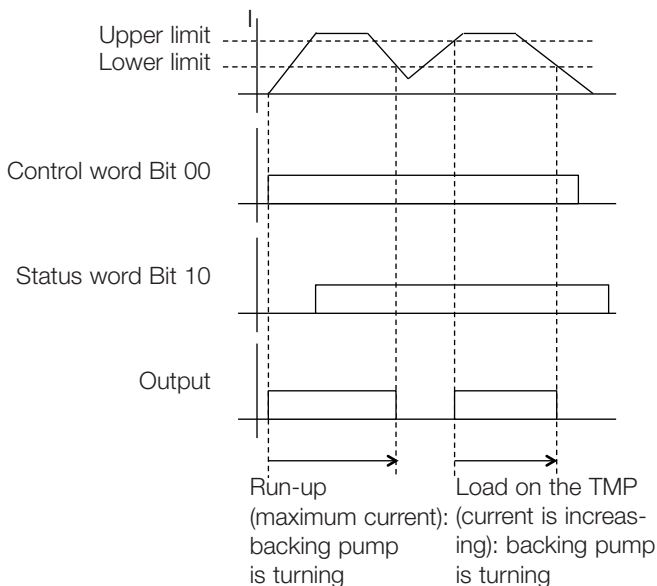


Additionally, a switch-on/switch-off delay time can be set up. The delay time is entered in milliseconds.



35	current dependent	<p>Current dependent switching on of the backing pump.</p> <ol style="list-style-type: none"> <li>1. When the pump is running up to its nominal speed, the output is set until the lower current limit is tripped.</li> <li>2. The output is set when the start command is active, the pump is running in its normal operating mode and the current has exceeded the upper limit. When the lower limit is tripped, then the output is reset again.</li> <li>3. When revoking the start signal, the output is reset.</li> </ol> <p>adjustable parameter: upper limit (unit 0.1 A) adjustable parameter: lower limit (unit 0.1 A)</p>
----	-------------------	-----------------------------------------------------------------------------------------------------------------------------------------------------------------------------------------------------------------------------------------------------------------------------------------------------------------------------------------------------------------------------------------------------------------------------------------------------------------------------------------------------------------------------------------------------------------------------------------------------------------------------------------

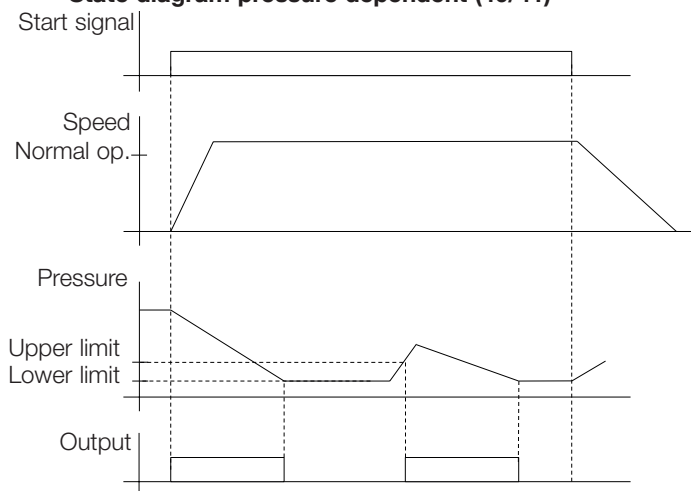
### State diagram current dependent 35



## Functions 24VDC Output backing pump (X206, X210, X211)

Function code	Function
40/41	<p>pressure dependent</p> <p>Functions for starting the turbomolecular pump</p> <ul style="list-style-type: none"> <li>■ Backing pump off</li> <li>■ Backing pump starts with Start signal</li> <li>■ Backing pump starts depending on the pressure (measured value from vacuum gauge head at X101)</li> <li>■ Backing pump starts depending on the pressure (measured value from vacuum gauge head at X102)</li> </ul> <p>When the start command is present, the backing pump starts. When the turbomolecular pump has entered its normal operating mode, and if the pressure drops below the preset pressure level, then the backing pump will stop.</p> <p>Adjustable parameter: frequency limit high Adjustable parameter: frequency limit low</p> <p>When the pressure exceeds the pressure level then the backing pump will start and will stop again when the turbomolecular pump has entered normal operation and the pressure has dropped below the pressure threshold.</p> <p>In case of a Stop command, both backing pump and turbomolecular pump will stop.</p> <p>This function is suited for triggering on the high vacuum pressure. The backing pump will only be operated when necessary.</p> <p>This function will intervene only provided the turbomolecular pump is in its normal operating mode.</p>

**State diagram pressure dependent (40/41)**



# Operation

## Function pressure dependent switch-on of the turbo pump

---

- Turbomolecular pump off
- Turbomolecular pump starts with Start signal
- Turbomolecular pump starts depending on the pressure (measured value from gauge head at X101)
- Turbomolecular pump starts depending on the pressure (measured value from gauge head at X102)

When this function has been enabled, the pump will behave as shown in the diagram: the pump starts when a start command is present and the pressure has dropped below the limit.

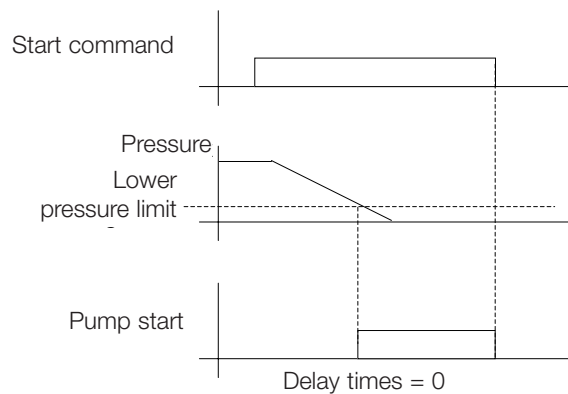
Adjustable parameter: frequency limit

Revoking the start command stops the turbomolecular pump.

This function is suited for triggering on the forevacuum pressure. The turbomolecular pump will only start, provided, a certain pressure level has been attained by the backing pump in the forevacuum line.

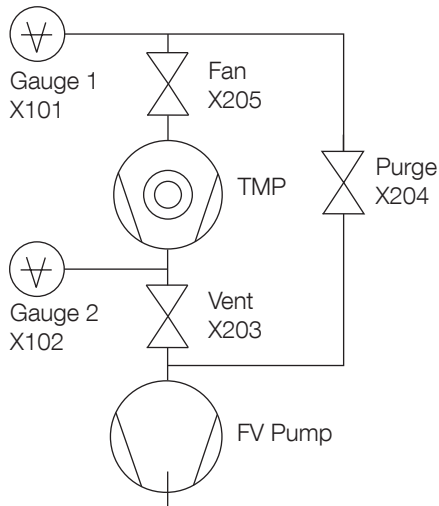
---

### Function pressure dependent switch-on



## Function Bypass

### Main and control circuit wiring



To use the bypass function of the TURBOLAB, connect the valves and gauges to the TURBOLAB according to the main and control circuit wiring diagram.

Activate the bypass via the menu → Accessories → TMP → Start function: Activate bypass (or via the web server in the corresponding menu)

Set limit values via menu → Accessories → TMP → Bypass: VV Pressure / HV Pressure / Time (or via the web server in the corresponding menu)

For the meaning of the respective limit values, see the bypass flow chart on the following page.

If the bypass is deactivated, the default values of the accessory outputs will be active again.

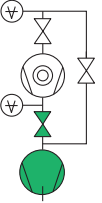
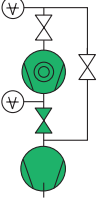
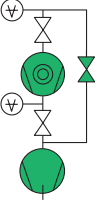
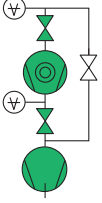
The bypass function is available from software version 5.0.

The current software can be downloaded from the Leybold homepage in the Download Software section.

# Operation

## Function Bypass

### Flow chart

Step	Fore pump	Turbo pump	VENT (X203)	FAN (X205)	PURGE (X204)	Description	Next step	Text display (main menu)	
0	OFF	OFF	OFF	OFF	OFF	Bypass is activated and limit values set	1	Ready	
1	OFF	OFF	OFF	OFF	OFF	System in power-on state	2	Bypass-Ready	
2	OFF	OFF	OFF	OFF	OFF	Start Bypass (F1 button display or start button webserver)	3	Run-Up	
3	ON	OFF	ON	OFF	OFF	Fore pump running If X102 gauge is smaller than set value → Jump to step 4	4	Run-Up	
4	ON	ON	ON	OFF	OFF	Turbo pump starts	5	Run-Up	
5	ON	ON	ON	OFF	OFF	Turbo pump reaches rated speed. Start command (display F4) can be activated.	6	Standby	
6	ON	ON	ON	OFF	OFF	Activation of Start (display F4)	7	Standby	
7	ON	ON	OFF	OFF	OFF	After set time → Jump to step 8	8	Bypass	
8	ON	ON	OFF	OFF	ON	If X101 gauge is smaller than set value → Jump to step 9	9	Bypass	
9	ON	ON	ON	ON	OFF	Stop activated (display F4) → jump to step 6	6	Run-Up	

## 4.4.3 Relay Functions

### Relay Normal Operation

Function code	Function	
0	Normal operation	<b>Default:</b> relay switches as soon as the setup normal operating threshold is reached.
3	Bearing temperature dependent (P122)	Adjustable parameter: temperature limit
4	Power failure venting (P247/P248)	<p>Within these limits, the relay is switched in the event of a power failure.</p> <p>Adjustable parameter: frequency limit high Adjustable parameter: frequency limit low</p> <p>Remark: this is a normally open valve, i.e. when the voltage is switched off, the output goes to 0; when the pump running the output is 1.</p> <p>State diagram power failure venting, see Section above.</p>
5	Pump at standstill (f<3)	Relay switches, when the pump is turning below 3 Hz.
6	Start command	Relay switches, when the start command is initiated.
7	Ready for switching on	Relay switches, when the pump is ready

### Error Relay

Function code	Function	
1	Active at error	<b>Default</b>
2	Inactive at error	

### Warning Relay

Function code	Function	
1	Active at warning	<b>Default</b>
2	Inactive at warning	

# Operation

















## 4.4.4 Parameter list

No.	Designation	Description
1	Device type	136 = Turbo.Drive 400 180 = TURBOVAC 350/450 i 181 = TURBOVAC 350/450 i with optional interface 182 = TURBOVAC 350/450 iX 190 = TURBOVAC 90/250 i 191 = TURBOVAC 90/250 with optional interface 192 = TURBOVAC 90/250 iX
2	Software version communication electronics x.yy.zz	
3	Actual frequency	Actual rotor frequency
4	Actual intermediate circuit voltage	
5	Actual motor current	
6	Actual drive input power	
7	Actual motor temperature	
8	Save data command	A write command with any value saves temporary data into nonvolatile memory. How to proceed: Write a value >0 (S 16) to P 8. -> Parameter changes are saved in the converter. A write command with any number will cause the data to be taken over.
11	Actual converter temperature	
16	Motor temperature warning threshold	Exceeding the motor temperature warning threshold results in a warning.
17	Nominal motor current	Maximum permissible motor current
18	Nominal frequency	Highest permissible frequency
19	Minimum nominal frequency	Lowest permissible nominal frequency
20	Minimum frequency level	When the pump is accelerating this frequency must be reached within the maximum passing time (P183). At the end of run-up: Switch-off threshold at overload.
21	Motor current threshold	After attaining normal operation and when this threshold is exceeded a „high load error“ will occur after a certain period of time has elapsed.
23	Pump type/Rotor type	not used
24	Setpoint frequency	Setpoint of the rotor frequency
25	Frequency dependent normal operation threshold	Setpoint of the frequency dependent normal operation level
32	Max. Run-up time	Max. permissible time during which the pump must attain the normal operation threshold (P24*P25) with the start signal present.
36	Start delay time	Delays the start of the pump to allow lead-time for the fore vacuum pump for example. Only active when the pump is under x Hz.
119 [0]	Index 0: Start bearing run in function	0 = converter starts pump normally 1 = converter starts with phase 1 2 = converter starts with phase 2 4 = converter starts with phase 3
119 [1]	Index 1: Status bearing run in function	1 = 1st phase active 2 = 2nd phase active 4 = 3rd phase active 8 = 4th phase active

No.	Designation	Description
125	Actual bearing temp	Calculated temperature of the bearing.
126	Bearing temp warning threshold	Exceeding the bearing temperature warning threshold results in a warning.
128	Motor temp lower warning threshold	Falling below the motor temperature lower warning threshold results in a warning.
131	Motor temp lower error threshold	Falling below the motor temperature lower error threshold results in an error message.
132	Bearing temp error threshold	Exceeding the bearing temperature error threshold results in an error message.
133	Motor temp error threshold	Exceeding the motor temperature error threshold results in an error message.
140	Intermediate circuit current	Mean value measurement of the intermediate circuit current. Corresponds to the current consumption of the frequency converter.
150	Standby Frequency	Standby operation frequency setpoint
171 [0..253]	Error Code Memory	Indexed parameter for storing the most recent 40 error codes. The individual error memory entries are accessed via this parameter with additional index number. The last error code is accessed with index 0 and the oldest with index 39.
174 [0..253]	Hz @ Time of Error	Access analogously as for parameter 171
176 [0..253]	Hours @ Time of Error	Access analogously as for parameter 171
184	Converter Operating Hours	Counts the operating hours of the converter during active pump operation.
249	Generator mode	P249 = 0 : no return feeding in to the DC supply P249 = 1 : return feeding in to the DC supply Notice: take note of the maximum generator power of as otherwise the electronics may suffer damage.
312 [0..17]	Converter part number	Converter part number. One ASCII character per index.
315 [1..17]	Converter serial number	
355 [0..17]	Pump serial number	not used

# Operation

## 4.4.5 Monitoring of the Operation Conditions

LED	Symbol	LED Status	Display	Meaning
Red 		Off		No System Error
		Flashing		System Warning
		Steady		System Error
		Steady		Turbo Pump lost communication
Green 		Off		Pump not turning / no start command active
		Flashing 50 ms on, 500 ms off		Start delay > 0 (P36)
		Flashing slowly 1/s		Running up
		Flashing fast 3/s		Running down
		Steady		Normal Operation
White 		Steady		Ethernet Communication Active

## 4.5 Shut-down

Stop the pump system with the TPU using the function keys on the display.

### Venting

For oil-sealed backing pumps, vent the TURBOVAC before it comes to a stop; see Section 4.6.

When using TRIVAC pumps the built-in anti-suckback valve will close automatically, shutting off the forevacuum line. In backing pumps without a vacuum retention valve, close the valve in the forevacuum line.

When the system is not operating, ensure that neither ambient air nor cleaning media can enter the pump.

If a failure occurs the turbomolecular pump will be shut down automatically. The red LED at the frequency converter lights up.

### Emergency shut down

In the case of an emergency shut down, the pump is switched off as described above. The rotor of the turbomolecular pump may be stopped faster by venting the pump.

Under vacuum conditions the pump may take up to one hour to run down, when venting to atmospheric pressure it may take up to one minute. During the time the pump is running down, the green LED will flash, indicating that the rotor has not yet arrived at standstill.

When shutting down by **switching off the power supply voltage**, the pump turns without an LED lighting up on the display. When switching off and after the LEDs go out, wait for roughly another 15 minutes at the turbo pump until the pump has come to a standstill.

### CAUTION



Unplug any connectors only when the mains voltage is switched off and the pump does no longer turn (the green LED is off).

## 4.6 Venting

Refer to Section 4.1 for suited gases.

### Venting Methods

There are different methods of venting the turbomolecular pump.

In the case processes requiring a purge gas, the pump must be vented via the **purge gas and venting valve** when shutting the pump down.

When additionally venting the vacuum chamber, the venting function of the purge gas and venting valve must be opened before opening the chamber valve. This will ensure the presence of a higher pressure in the area of the ball bearings compared to the remaining vacuum area. This will prevent particles, dust or aggressive gases from being forced through the bearings into the not yet vented motor chamber of the pump.

The TURBOVAC 90/250/350/450 i can be vented via the **venting connection (VENT)**, by means of a venting valve, a power failure venting valve, or a venting screw.

Cautious venting of the pump is possible from the **high vacuum side**, since here the bearing forces will be lowest. When doing so, no free jet of gas must be allowed to form on the rotor so as to avoid exposing the rotor to additional forces.

When venting the pump through its **foreline connection**, neither oil nor particles may be entrained in the gas flow from the forevacuum side into the pump.

### Speed of the Pressure Rise

All turbomolecular pumps may be vented at full speed. However, the pressure must not increase faster than specified through the pressure rise curve.

The pump must be vented significantly slower when there is the risk of particles entering into the pump from the process. During venting, the flow must be of the laminar type in both the vacuum chamber and the turbomolecular pump.

The pump must not be vented to pressures above atmospheric pressure.

**Speed  
Pressure rise curve**

**Particles**

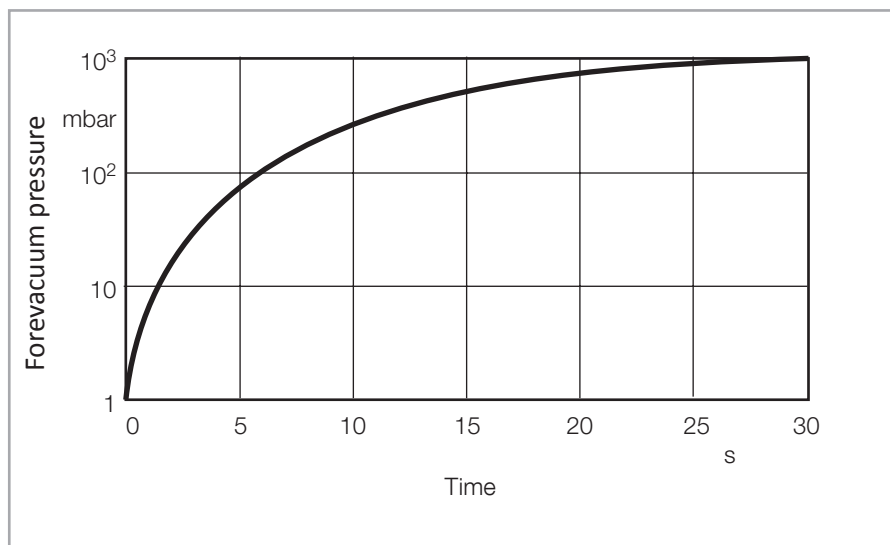


Fig. 4.3 Maximum rise in pressure

## 4.7 Bakeout

Only turbomolecular pumps with CF flanges may be baked out.

The backing pump and TURBOVAC must be in operation during bakeout.

Switch the flange heater on and off at the switch S208 at the TURBOLAB.

Protect the rotor against intensive, direct heat radiation. The temperature of the high vacuum flange must not exceed 100 °C. When baking out at the forevacuum side – at a sorption trap, for example – ensure that the components attached direct are not heated to more than 100 °C.

When baking out the pump, operate it with the water-cooling system on.

Following bakeout, retighten the clamp screws on the flange heater, if required.

Leave the flange heater on the TURBOVAC.

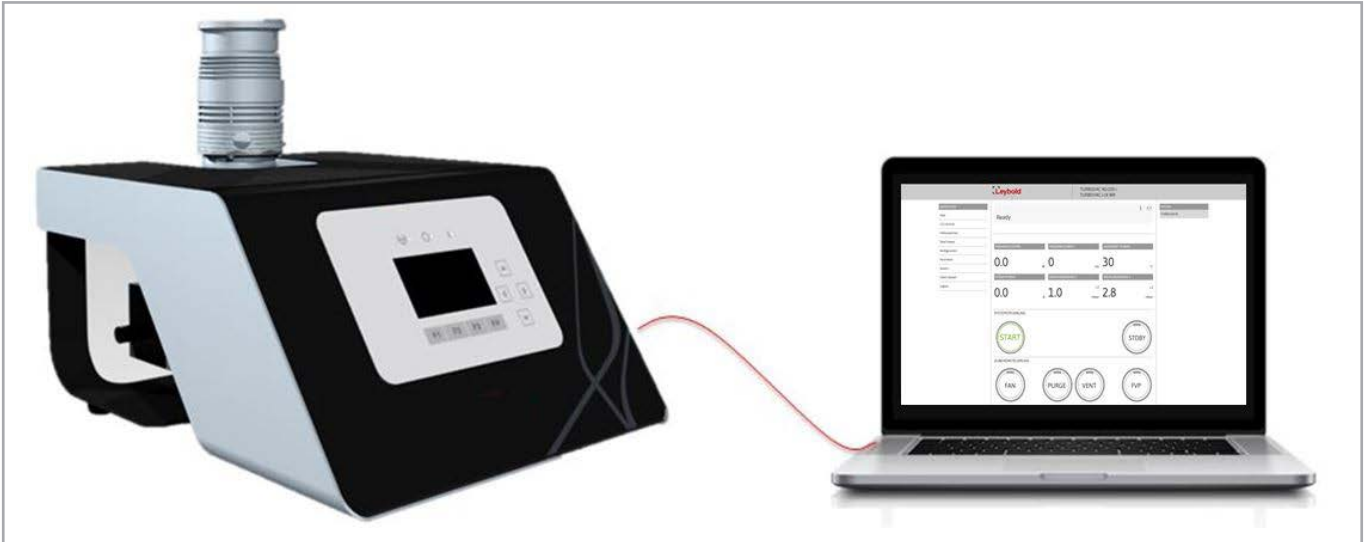


Fig. 4.4 Webservice connection

## 4.8 Webservice

Connect a computer to interface ETH (X150). Then use a browser to access the IP address of the TURBOLAB. You can find the IP address through Menu → System → Network Info or at Menu → System → QR Link.

In order to be able to operate the pump system through the Ethernet interface, the control hierarchy in the display must be changed to ETH Remote. Otherwise, it will only be possible to read parameters

### Logging in

Username: user

Password: user

Then press LOGIN.

# Operation

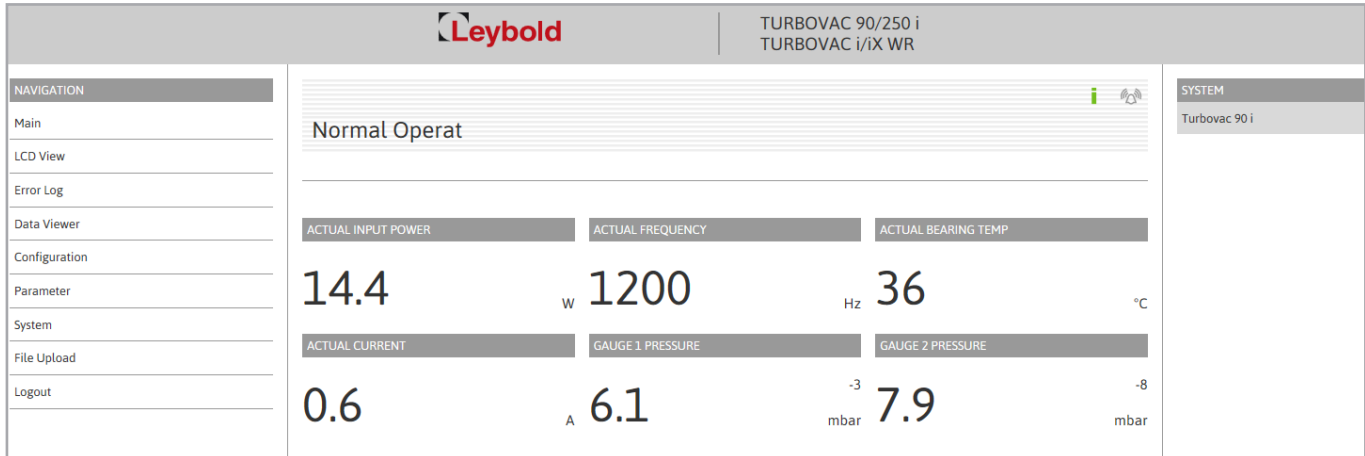


Fig. 4.5 Log in

## Start Screen

Through the start screen you may start your pump system, stop it and switch to standby operation. Moreover, the accessories can be controlled through the 4 function keys. Here also this status of the turbo pump is displayed in the upper status line.

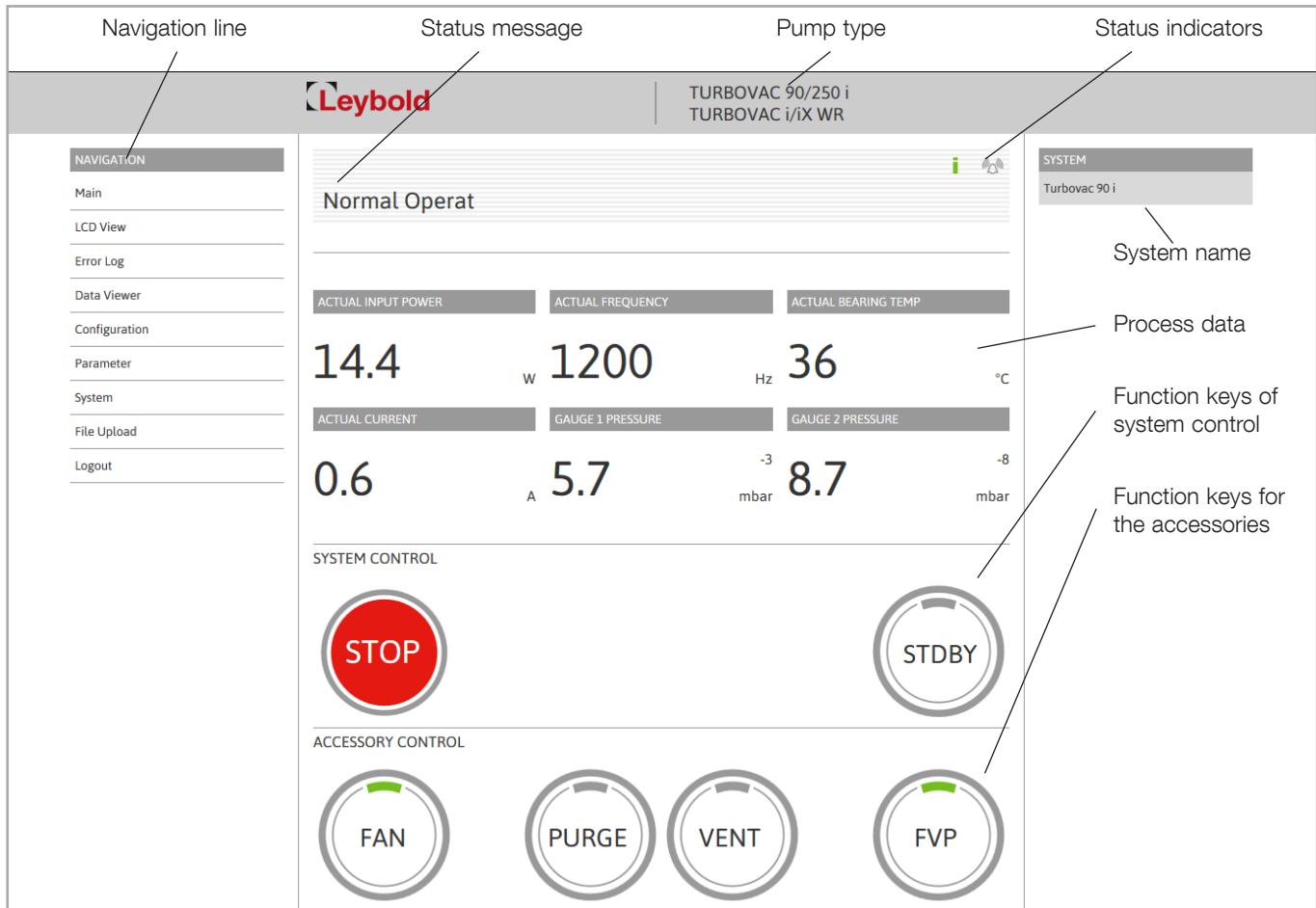


Fig. 4.6 Start screen

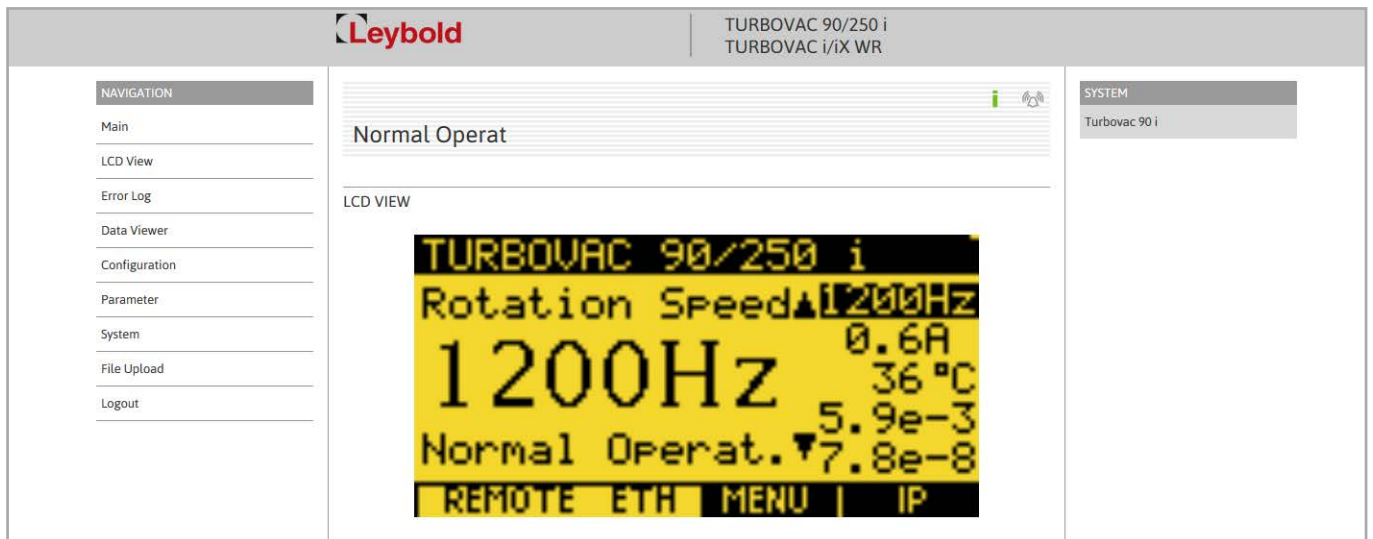


Fig. 4.7 LCD view

## LCD View

Through this function the display content of the pump system is shown through the web server.

## Error Memory

The error memory holds the errors of the turbo pump in chronological order. The operating time at the point of time the error has occurred is also indicated. By clicking on the corresponding line of the error, a detailed description will be displayed.

# Operation

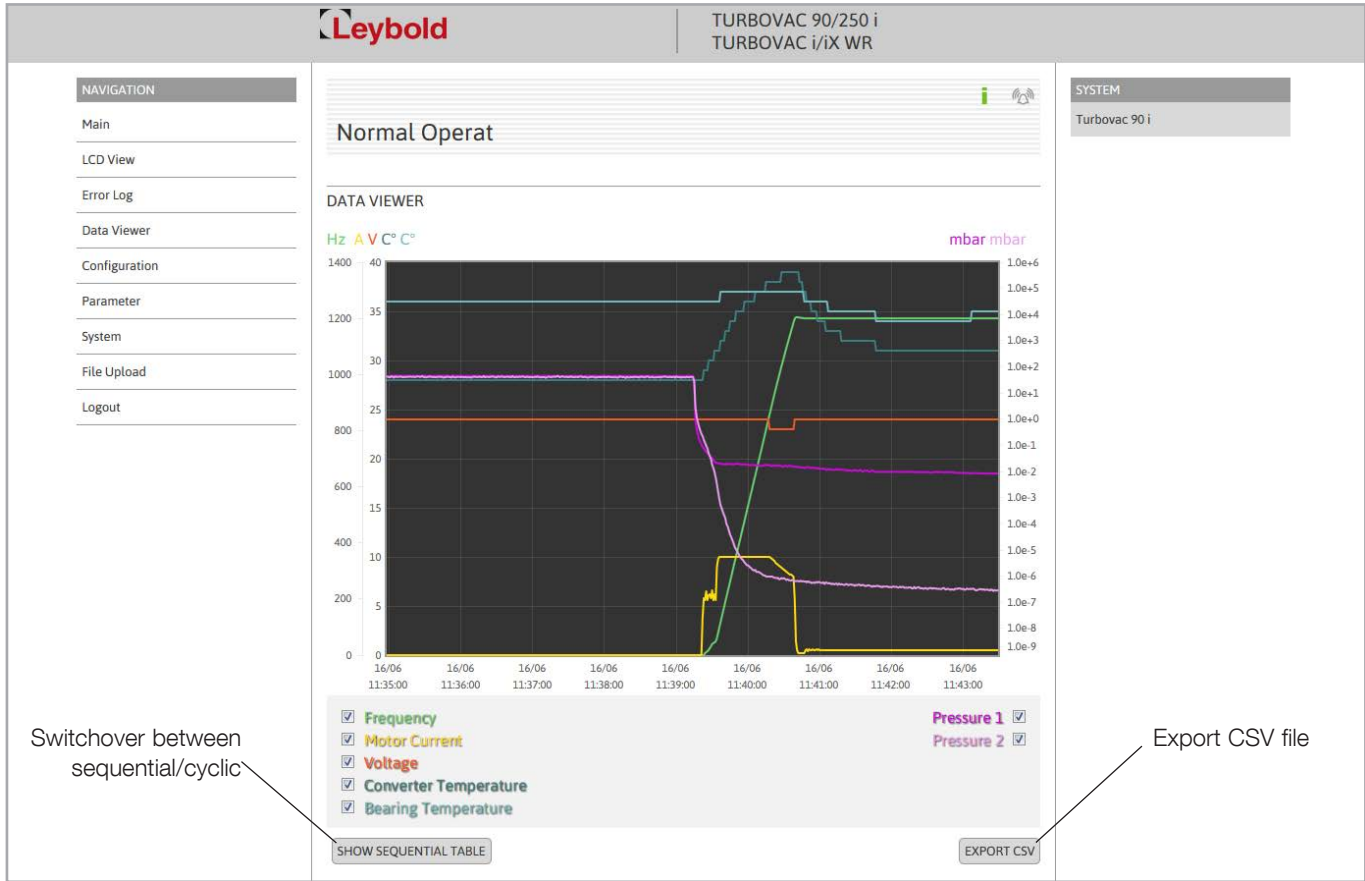


Fig. 4.8 DataViewer

## DataViewer

To correctly display the trend of the data even after a longer downtime fully powered down it is necessary that the instrument has recorded 512 data records first. Depending on the setup LoggingCycle this can take more or less time. When initialising the LoggingCycle we recommend setting it to 1 second.

Through the corresponding checkmarks the measurement data can be selected. The queried data is updated constantly in a table placed under the graph.

Through parameter I900 you may modify the LoggingCycle. Through the LoggingCycle you may define the distance in time the individual data records are recorded.

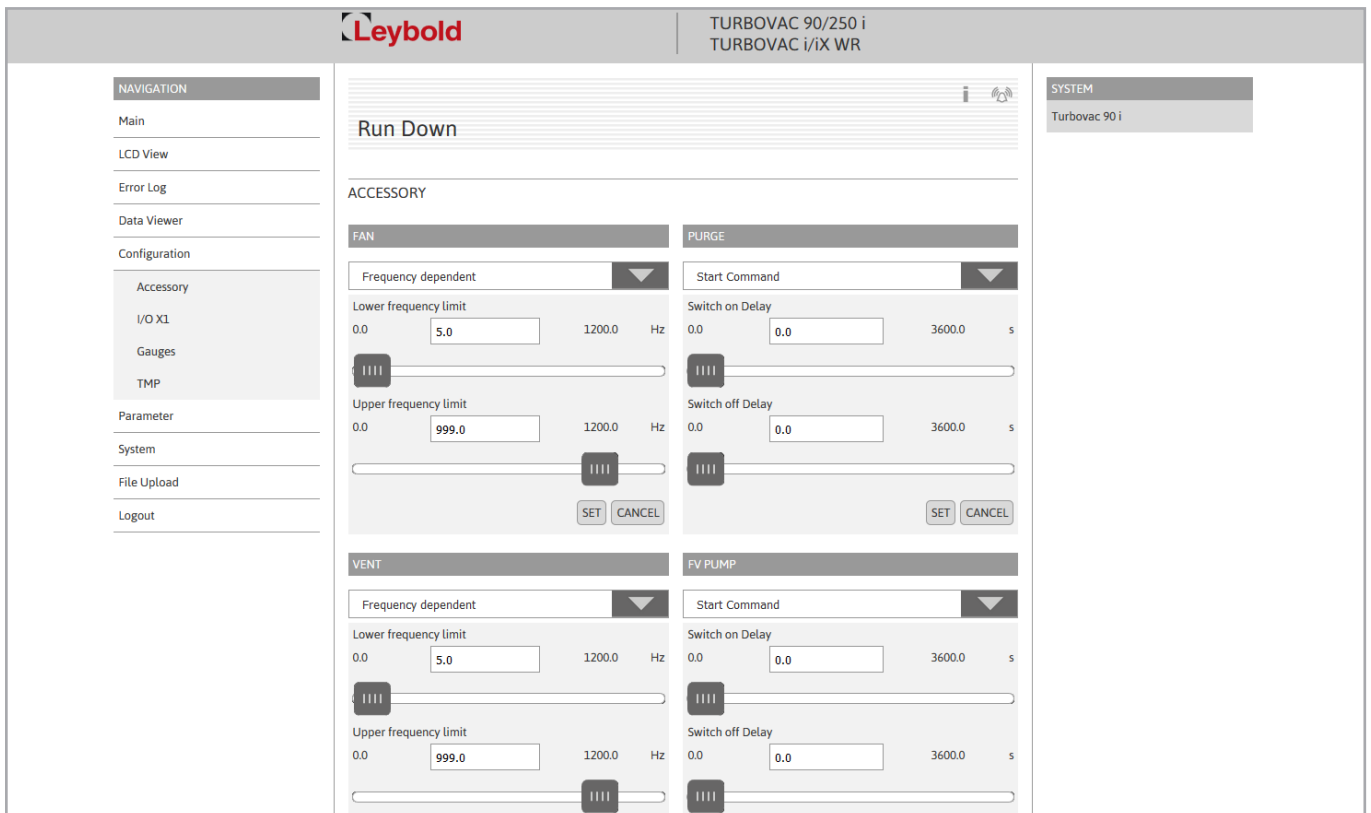


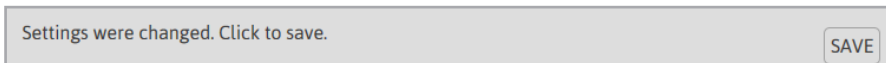
Fig. 4.9 Accessories configuration

## Configuration Menu

### Accessories

Through this submenu you may change the different accessory functions by selecting these from a drop-down list. These functions are explained in the Section “Function Codes of the Accessory Connections”. The values may either be entered directly or through sliders. Operating SET sets the value. The subsequent saving dialogue permanently saves, by operating SAVE, a value which has been set.

Triggering the saving procedure results in all previous changes being saved.



### X1 Interface (Menu I/O X1)

Here you may change the relay functions corresponding to the information given in the Section “Relay Functions”. For the analog output you may select between six different functions. Through SET and SAVE the values are saved.

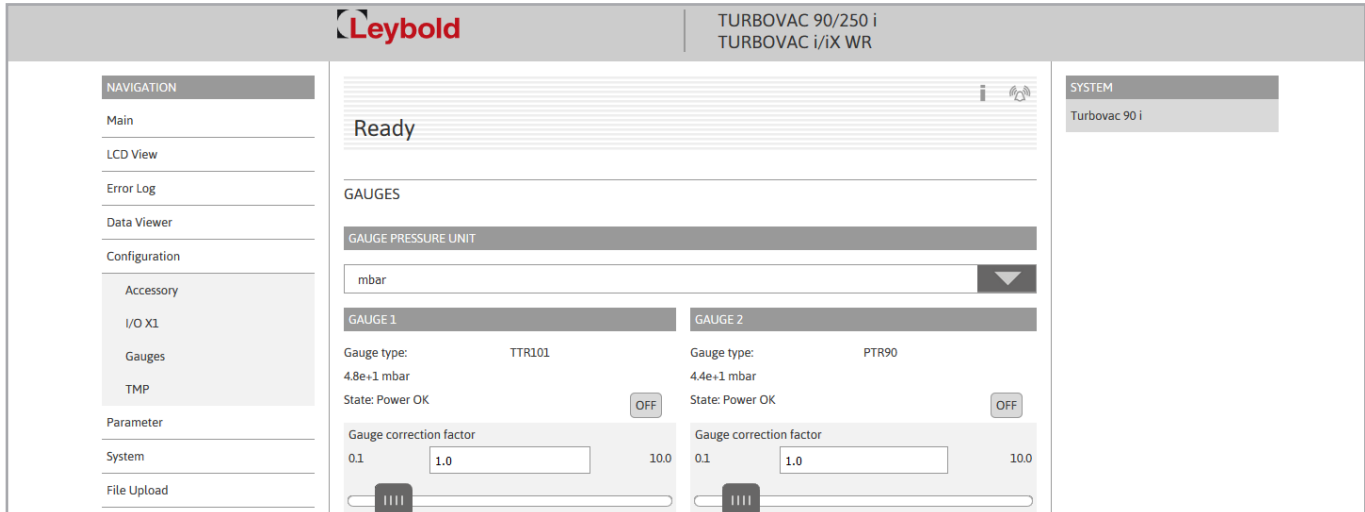


Fig. 4.10 Configuration menu for the gauges

## Gauges

Here you may select between the units of measurement millibar, Torr and Pascal via the drop-down list. These settings are carried over to the start screen. The types of vacuum gauge, the values currently measured and the vacuum gauge head status are displayed. Through OFF the vacuum gauge head may be switched off. The gas type correction factor needs to be set up according to the Operating Instructions for the respective vacuum gauge head. You may enter the value through the entry field or the slider.

## Turbomolecular pump (Menu TMP)

Here you may select between two options:

- The turbomolecular pump starts upon issuing the start command. Here the entered pressure values are disregarded.
- The turbomolecular pump starts depending on the pressure as soon as the pressure as measured by the selected vacuum gauge head has dropped below the preset threshold. The threshold may be entered directly or set up through a slider.

## Parameters

Through the parameter menu you may select via the drop-down list the respective parameters. When wanting to change a parameter you may do this through the entry field or through the slider. Through SET and SAVE, the values are saved.

## System Menu

### User Profile

Through the user profile you may change the log-in data for the web server.

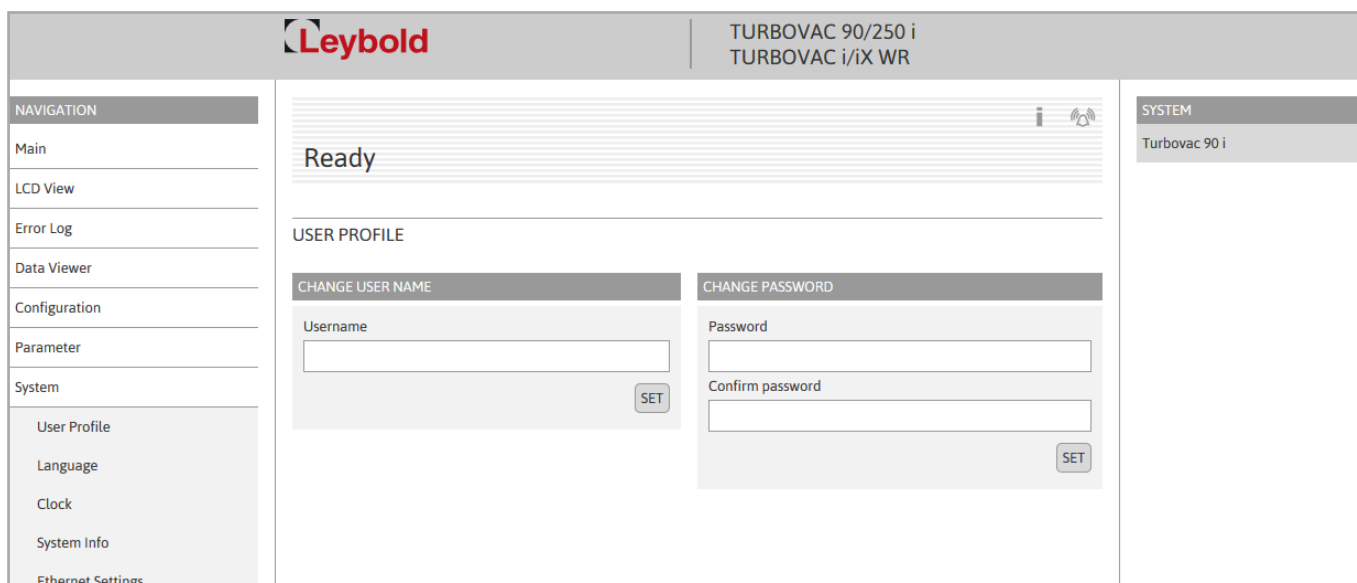


Fig. 4.11 System menu: user profile

## Language

Through the drop-down list you may change the language from German to English and vice versa.

## Clock

The clock menu can be used to change the time and date settings of the system. Here it is also possible to import the current time from the PC.

## Internet Settings

The menu Internet Settings displays the current IP address of the device, the subnet mask, the DNS server, the gateway address as well as the DHCP status. All these data can be changed through the entry field and the drop-down list.

- DHCP on – automatic address assignment via DHCP, e.g. a router or company network
- DHCP off – setting when wishing to configure a static address.

If a router is connected, turn off and on again in the DHCP menu so that a new address assignment is performed automatically.

## Import/Export

Through this submenu you may export the previously entered settings to a file. This file with the current settings may then be imported to a different device or used for backing up data.

# Operation

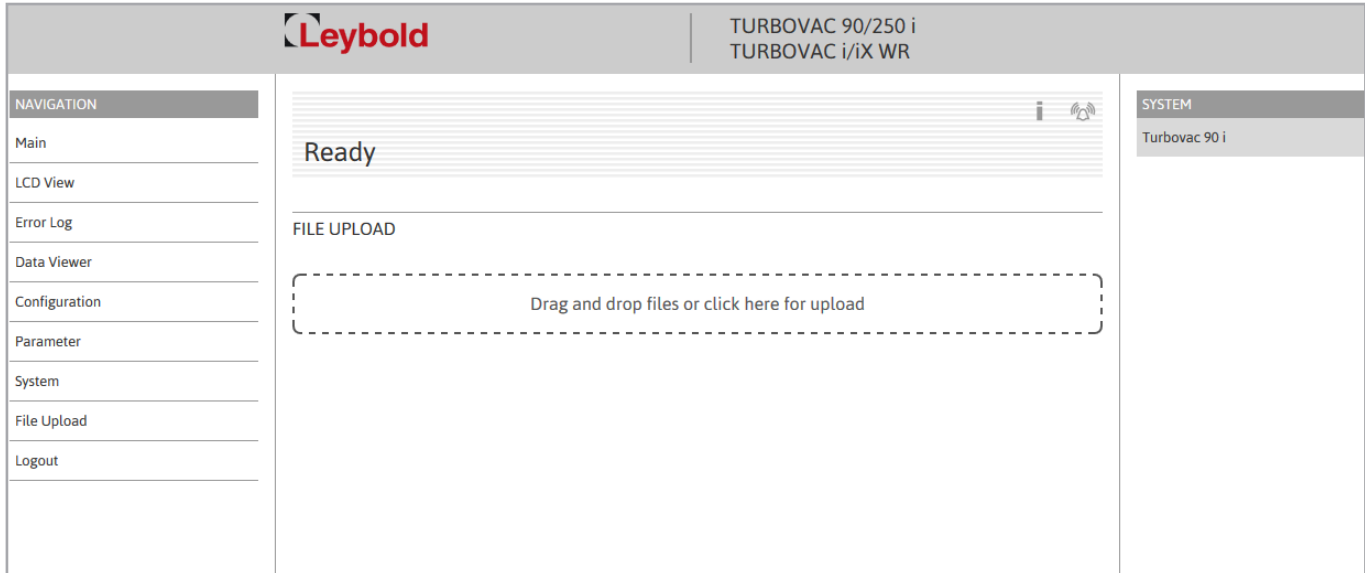


Fig. 4.12 File upload

## File Upload

Through the file upload menu you may load files into the device and also remove these. This includes, for example, files needed for a software update. These may be moved by drag-and-drop into the field with the dashed rectangle or you may select by clicking on this field. FILE UPLOAD loads the selected file into the device.

However, if this file is already present in the device, it needs to be removed first. A dialogue is displayed indicating the line which is to be overwritten and which needs to be deleted. Only after having through REMOVE deleted the line, will a transfer become possible.

A software update can be run on the same principle as described in the "File Upload".

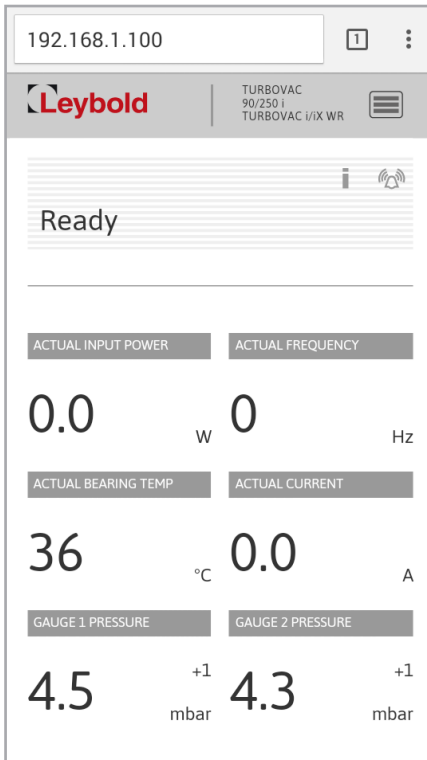


Fig. 4.13 Webserver views: Main

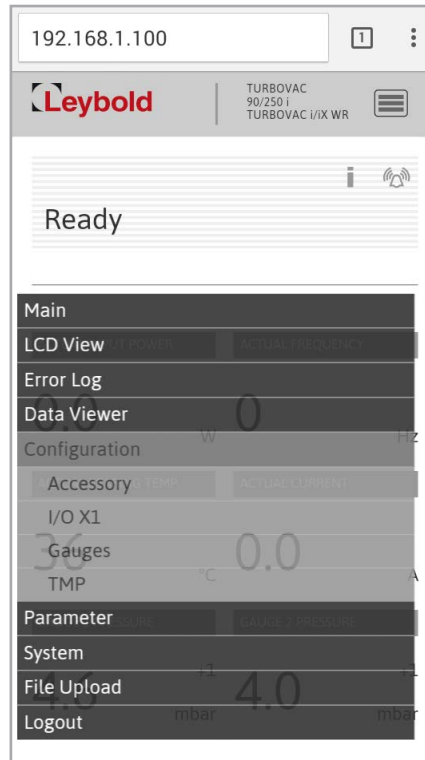


Fig. 4.14 Webserver views: Navigation



Fig. 4.15 Webserver views: Accessory setting

You may also operate the web server on a smart phone; then the menus will look slightly different, see above.

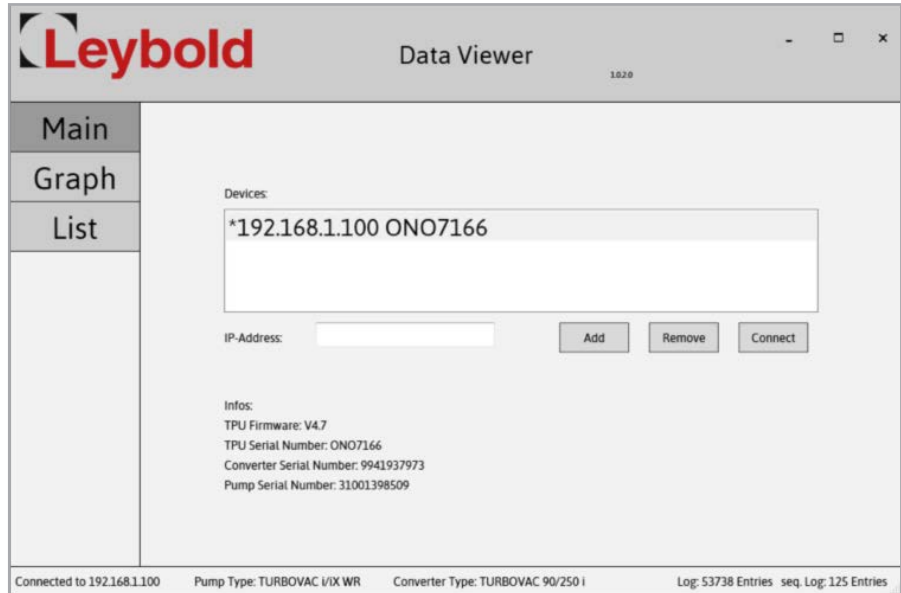


Fig. 4.16 Start screen of the DataViewer

## 4.9 Data Viewer

This tool serves the purpose of analysing and assessing the data recorded from the pump system. Here the process engineering measurement data is displayed by way of a graph as well as in a table.

### Establishing the Link

To establish a link with the device, enter the IP address of the device into the entry field "IP-Address". Then confirm the IP address through **Add Device**. If the IP address is correct then it will be displayed in the "Devices Window. To establish the link, click on the IP address and confirm through **Connect**.

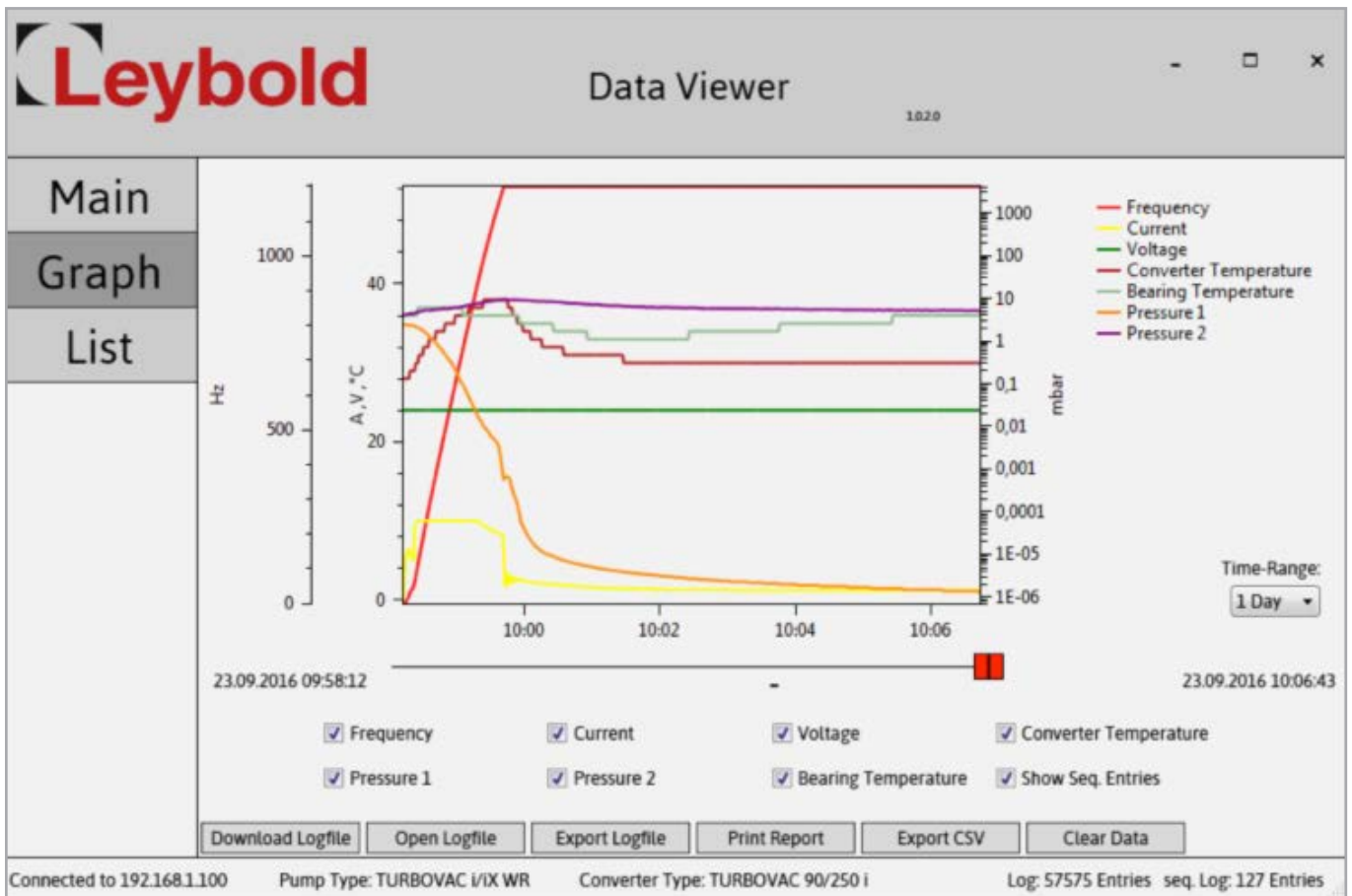


Fig. 4.17 Trend display

The buttons in the lower section of the display allow the following:

- Loading data from the device. Downloading is indicated through the counter incrementing at the bottom right-hand corner.
- Opening a previously exported log file
- Exporting a downloaded log file into a .log file
- Exporting a downloaded log file to the Excel CSV file format

### Trend Display

Here the measured trend data is displayed in a graph. Through the red sliders, the selection window may be moved to a certain point of time and you may zoom into the data. Zooming into the data is effected also through the third mouse key or the key combination ALT + left mouse button. To remove or show the data, switch the checkmark at the corresponding data off or on.

# Operation

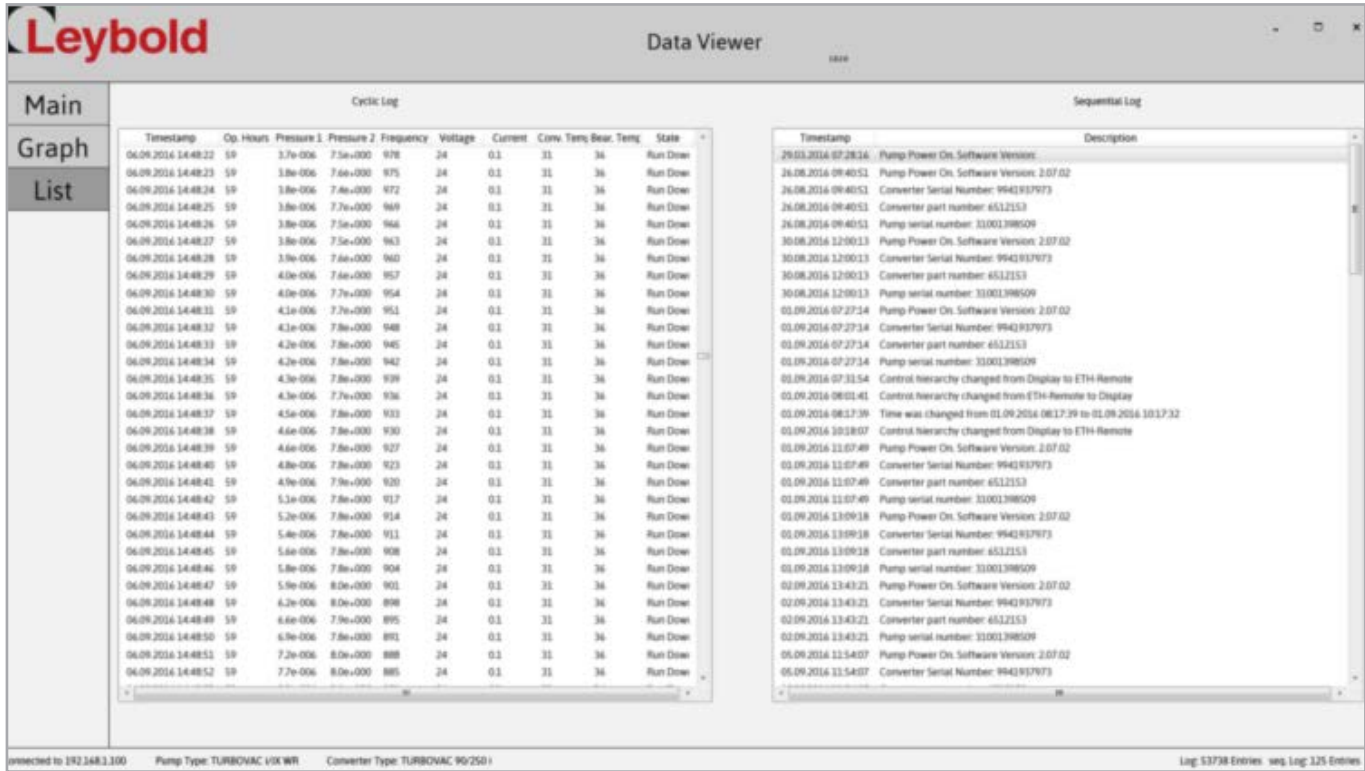


Fig. 4.18 Data list

## Data List

Through the data list, all recorded data points can be viewed. Double-clicking on a line with the data records then displays the corresponding point within the graph. Moreover, all occurred events are listed in the right-hand window.

## LoggingCycle

See Section [Webserver](#) → [DataViewer](#) → [LoggingCycle](#)

## Memory Capacity

For an estimate as to how long the device will be capable of recording data, refer to the following formula:

The log file has a size of 3264512 bytes →  $3264512/32 = 102016$  entries in the log file.

→  $102016 \text{ entries} \times 1 \text{ second (LoggingCycle)} = 102016 \text{ seconds}$ .

From this there results a recording duration of approximately 1700 minutes which is roughly equal to 28 hours.

The recording duration will vary depending on the selected LoggingCycle.

## Device List

When wanting to remove any added devices from the device list, remove these entries from the file "device.txt". This file can be found in the DataViewer Folder.

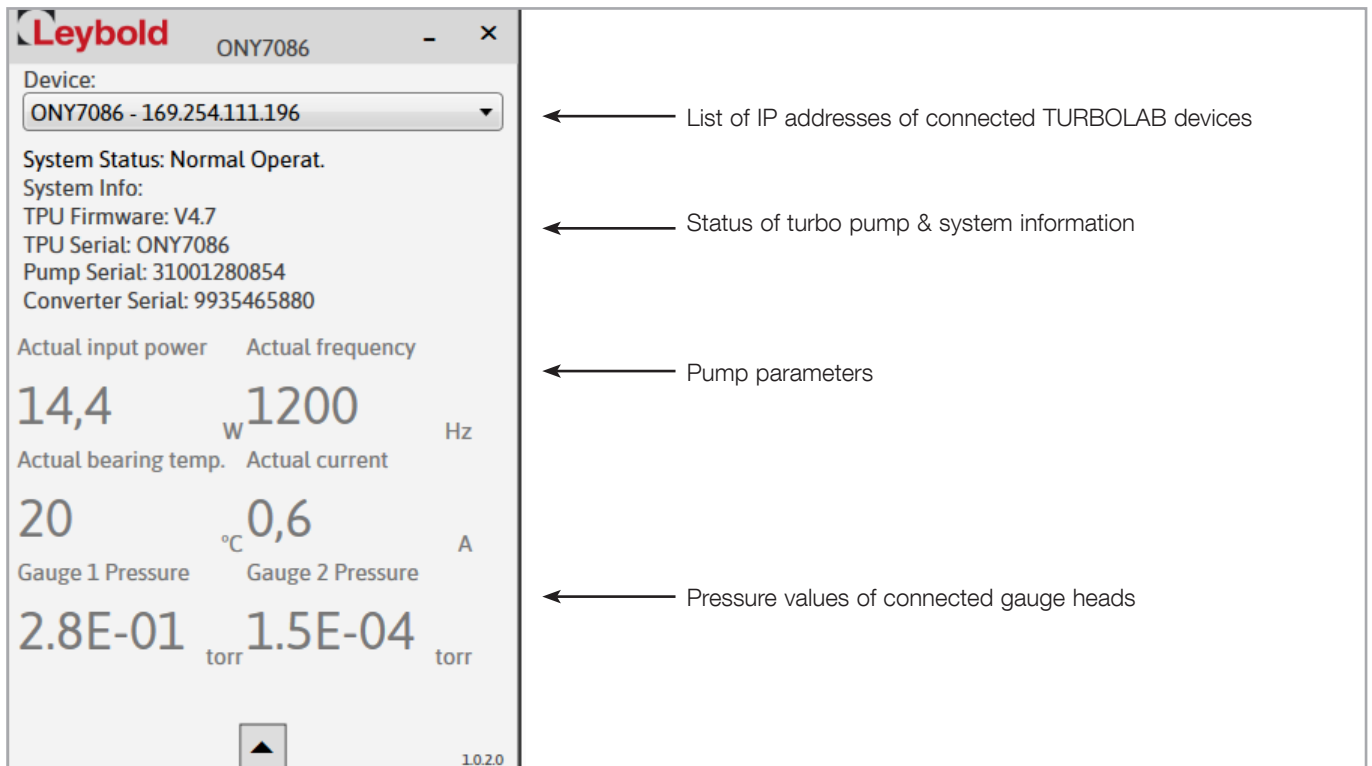


Fig. 4.19 Widget

#### 4.10 Widget

The widget enables real-time viewing of defined parameters of the turbo pump and the pressure values of the connected pressure sensors.

Access is via the IP address of the TURBOLAB. The connected TURBOLABs are displayed in the selection box.

Several instances can be opened to observe several TURBOLABs.

In case of a warning the widget flashes red, in case of an error it is permanently red.

#### 4.11 Downloads

At [www.leybold.com](http://www.leybold.com) → Downloads → Download Software → Software for TURBOLAB high vacuum systems and TURBO.CONTROL i you can download the latest software and documentation:

- Latest firmware of TURBOLAB
- Data Viewer (applicable for TURBO.CONTROL i & TURBOLAB)
- Widget (applicable for TURBO.CONTROL i & TURBOLAB)

Please make sure that the latest firmware is installed on the TURBOLAB.

# Maintenance

## 5 Maintenance

### Rotor exchange

We recommend an exchange of the rotor unit after 80,000 operating hours at the latest.

Such maintenance work can only be done by the Leybold Service. If required contact the Leybold service center nearest to your location. You can find the address on our internet page [www.leybold.com](http://www.leybold.com).

At high pump loads - for example during cyclic operation, at high gas throughputs or at high ambient temperatures - the aforementioned maintenance work should be carried forward. Please consult Leybold for recommendations.

### Purge gas filter

Depending on the degree of contamination of the purge gas used the filter will clog and will have to be exchanged (our experience indicates that this will become necessary after 1 to 6 months).

### Adsorption trap

When an adsorption trap is used, regenerate or renew the adsorption agent regularly; refer to the operating instructions provided with the trap.

### Backing pump

As to maintenance work on the backing pump, please observe the information given in the corresponding Operating Instructions.

---

#### DANGER



Before beginning with any kind of maintenance work switch the pump system off and pull the mains plug.

### 5.1 Cleaning

Remove dust on the surfaces using a moist piece of cloth only to prevent the creation of any sparks.

#### Cleaning the frequency converter internally

The frequency converter is basically maintenance free, since it does not contain any adjustable components.

Depending on the installation and ambient conditions, the frequency converter can suffer from the internal contamination (dust, humidity). Such contamination can result in malfunctions, overheating or short circuits and therefore needs to be avoided as far as possible. The Leybold Service can clean the frequency converter. Here we are recommending cleaning intervals of approximately 5 years.

#### Cleaning the TURBOVAC internally

Contamination inside the TURBOVAC is indicated by a deterioration in performance, i. e. an increasing decline in working pressure.

If there is only slight contamination, such as a coating on the TURBOVAC interior surfaces due to exposure to the atmosphere over an extended period of time, the flange heater can be used for cleaning.

The ultimate pressure must be monitored while baking out under vacuum.

When making the initial examination of the pump, mount blank flanges to eliminate any possibility of leaks and desorption in the vacuum chamber.

The pump will have to be disassembled if there is more extensive contamination. The Leybold Customer Service Department will have to be consulted here in all cases.

## 5.2 Oil of the Rotary Vane Pump

The TRIVAC or SOGEVAC requires for proper operation sufficiently fresh and suitable oil.

The oil level of the backing pump must be checked at least once a week.

The oil must be changed when appears contaminated, chemically changed or mechanically worn out. When the oil contaminates too rapidly, install a dust and/or an oil filter.

Precise information on this topic and on other maintenance works is provided in the Operating Instructions for the rotary vane pump.

With the gas ballast valve open, a larger quantity of oil escapes from the rotary vane pump so that the oil level will have to be checked more frequently under such operating conditions.

## 5.3 Removing the Backing pump

Each foot on the backing pump is bolted to the base plate by a bolt and three nuts. The nut accessible from above is bonded to the bolt; the two nuts accessible from below are counter-tightened.

To remove the backing pump, un-screw the counter-tightened nuts beneath the base plate, and lift off the pump.

After removing the backing pump, seal both connecting flanges.

## 5.4 Leybold Service

Whenever you send us in equipment, indicate whether the equipment is contaminated or is free of substances which could pose a health hazard. If it is contaminated, specify exactly which substances are involved. You must use the form we have prepared for this purpose.

A copy of the form has been reproduced at the end of these Operating Instructions: "Declaration of Contamination for Compressors, Vacuum Pumps and Components". Another suitable form is available from [www.leybold.com](http://www.leybold.com) → Downloads → Download Documents.

Attach the form to each contaminated pump.

This statement detailing the type of contamination is required to satisfy legal requirements and for the protection of our employees.

We must return to the sender any equipment which is not accompanied by a contamination statement.

### Contamination

### Form

# Troubleshooting

## 6 Troubleshooting

Parameter 171 contains in the case of an error the corresponding error code. For the respective error, the corresponding rotor frequency and the corresponding number of operating hours at that point of time the error has occurred is saved under the parameters 174 and 176 at the same index number.

Listed in the following are the possible error codes and their causes.

Error code	Designation	Possible cause	Remedy
1	Overspeed warning. The actual frequency exceeds the setpoint by over 10 Hz.	Frequency converter defective	Contact Leybold Service.
2	Pass through time error The pump has not reached the minimum speed after the maximum run-up time has elapsed.	Forevacuum pressure too high. Gas flow too high Rotor blocked	Check the ultimate pressure of the backing pump and install a bigger backing pump if req. Seal leak, check process Check if the rotor turns freely. Contact Leybold Service if the rotor is damaged or blocked.
3	Bearing temperature error. The maximum permissible bearing temperature was exceeded.	Forevacuum pressure too high. Gas flow too high Fan defective Water cooling switched off	Check the ultimate pressure of the backing pump and install a bigger backing pump if req. Seal leak, check process Replace fan Switch on water cooling
4	Short circuit error		
5	Converter temperature error Overtemperature at the power output stage or within the frequency converter	Ambient temperature too high Poor cooling	Ensure max. ambient temperature of 35°C Improve cooling
6	Run-up time error The pump has not reached the normal operating frequency after the maximum run-up time.	Forevacuum pressure too high. Gas flow too high	Check the ultimate pressure of the backing pump and install a bigger backing pump if req. Seal leak, check process
7	Motor temperature error The motor temperature has exceeded the shutdown threshold.	Forevacuum pressure too high. Gas flow too high Fan defective Water cooling switched off	Check the ultimate pressure of the backing pump and install a bigger backing pump if req. Seal leak, check process Replace fan Switch on water cooling
8	Pump error: The pump could not be identified or no pump has been connected.	Pump not correctly connected to the frequency converter. Defective hardware	Check the connection between pump and frequency converter. Contact Leybold Service.
61	Bearing temperature warning, top		
82	Fan voltage has failed		
83	Motor temperature low warning		
84	Motor overtemperature warning		

# Troubleshooting

Error code	Designation	Possible cause	Remedy
85 to 96	Frequency converter collective error		
97	Internal volume temperature error		
101	Overload warning The pump speed has dropped under the normal operation threshold	Forevacuum pressure too high. Gas flow too high	Check the ultimate pressure of the backing pump and install a bigger backing pump if req. Seal leak, check process
103	Supply voltage warning Intermediate circuit voltage too low or maximum time for generator operation was exceeded.	DC supply voltage below 24V or 48 V Mains voltage has failed	Check the voltage at the power supply and if required set up correctly Remedy the cause for the mains power failure
106	Overload error The pump speed has dropped under the minimum speed	Forevacuum pressure too high. Gas flow too high	Check the ultimate pressure of the backing pump and install a bigger backing pump if req. Seal leak, check process
111	The minimum permissible motor temperature is not attained.	Ambient temperature too low Pump cooling too high	Ensure min. ambient temperature of 5 °C Reduce water cooling
116	The speed of the pump has dropped below the normal operation threshold and has stayed there for a longer period of time.	Forevacuum pressure too high. Gas flow too high	Check the ultimate pressure of the backing pump and install a bigger backing pump if req. Seal leak, check process
117	Motor current error (start-up error), Motor current below nominal current, switchover from open loop controlled to closed loop controlled operation was not successful	Cable fault Faulty connector	Contact Leybold Service
126	Bearing temperature sensor error, top	Defective component, short-circuit or broken cable	Contact Leybold Service
128	Motor temperature sensor error	Defective component, short-circuit or broken cable	Contact Leybold Service
143	Overspeed error		
225	Bearing break-in function active		Disable bearing break-in function and restart the pump
226	Temperature derating active. One of the temperature warning values was exceeded and the maximum permissible motor current was reduced		
227 to 238	Frequency converter collective error		Reset error, try to restart. If this is not possible inform Leybold Service or send in the pump.
240	EEPROM error (CRC) inconsistent data in the EEPROM		Reset error, try to restart. If this is not possible inform Leybold Service or send in the pump.

# Troubleshooting

<b>Error code</b>	<b>Designation</b>	<b>Possible cause</b>	<b>Remedy</b>
252	Hardware plausibility error. Frequency converter and communication electronics are not from the same pump	<p>Front end and frequency converter were interchanged.</p> <p>The LEDs of the turbomolecular pump do not indicate a status although communication and power supply have been plugged in correctly, fuse F3 has blown.</p>	<p>Establish the correct hardware configuration or run a software update</p> <p>Check fuse F3 (10 A slow-blow) and replace as required.</p> <p>The location of the fuses is indicated in fig. 3.14 and 3.15.</p>
	Display remains dark.	Fuse F5 has blown.	<p>Check fuse F5 (2 A slow-blow) and replace as required.</p> <p>The location of the fuses is indicated in fig. 3.14 and 3.15.</p>
	DIVAC backing pump does not run.	DIVAC 0.8 / 3.0 (24 V DC) is not turning although the function code was set up correctly, fuse F4 has blown.	<p>Check fuse F4 (8A slow-blow) and replace as required.</p> <p>The location of the fuses is indicated in fig. 3.14 and 3.15.</p> <p>Reset error, try to restart. If this is not possible inform Leybold Service or send in the pump.</p>

## 7 Waste Disposal

The equipment may have been contaminated by the process or by environmental influences. In this case the equipment must be decontaminated in accordance with the relevant regulations. We offer this service at fixed prices. Further details are available on request.

Contaminated parts can be detrimental to health and environment. Before beginning with any work, first find out whether any parts are contaminated. Adhere to the relevant regulations and take the necessary precautions when handling contaminated parts.

Separate clean components according to their materials, and dispose of these accordingly. We offer this service. Further details are available on request.

When sending us any equipment, observe the regulations given in Section "5.4 Leybold Service".

### Disposal of Waste Oil

Owners of waste oil are entirely self-responsible for proper disposal of this waste.

Waste oil from vacuum pumps must not be mixed with other substances or materials.

Waste oil from vacuum pumps (Leybold oils which are based on mineral oils) which are subject to normal wear and which are contaminated due to the influence of oxygen in the air, high temperatures or mechanical wear must be disposed of through the locally available waste oil disposal system.

Waste oil from vacuum pumps which is contaminated with other substances must be marked and stored in such a way that the type of contamination is apparent. This waste must be disposed of as special waste.

European, national and regional regulations concerning waste disposal need to be observed. Waste must only be transported and disposed of by an approved waste disposal vendor.

### Contamination

---

#### WARNING



# EU Declaration of Conformity

(Translation of original Declaration of Conformity)

**The manufacturer:** Leybold GmbH  
Bonner Strasse 498  
D-50968 Köln  
Germany

herewith declares that the products specified and listed below which we have placed on the market, comply with the applicable EU Directives. This declaration becomes invalid if modifications are made to the product without agreement of Leybold GmbH.

**Product designation:** Turbo molecular vacuum pump system consisting of turbo pump and fore vacuum pump

**Type designation:** TURBOLAB xxx  
TUBOLAB xxx Cart  
(xxx = 80, 90, 250, 350 or 450)

**Part numbers:** 501592Vxxxxxx (x=0-9)

**The products complies to the following Directives:**

Machinery Directive (2006/42/EC)

The safety objectives of the Low Voltage Directive 2014/35/EU were complied with in accordance with Appendix 1 No. 1.5.1 of Machinery Directive 2006/42/EC.

Electromagnetic Compatibility (2014/30/EU)

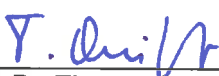
**The following harmonized standards have been applied:**

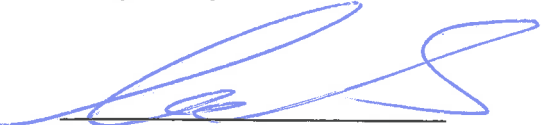
EN 1012-2:1996+A1:2009	Compressors and vacuum pumps - Safety requirements Part 2: Vacuum pumps
EN 61010-1:2010	Safety requirements for electrical equipment for measurement, control and laboratory use - Part 1: General requirements
EN 61326-1:2013	Electrical equipment for measurement, control and laboratory use - EMC requirements - Part 1: General requirements Emission: Group 1 Class B* (* for systems with Scrollvac plus: Class A) Immunity: Industrial electromagnetic environment

**Documentation officer:** Herbert Etges  
T: +49(0)221 347 0  
F: +49(0)221 347 1250  
documentation@leybold.com

Cologne, July 13th, 2018

Cologne, July 13th, 2018

  
i.V. Dr. Thomas Dreifert  
Engineering PC Cologne

  
i.V. Martin Laerbusch  
Operations PC Cologne  
Product Company Cologne

Document No.: 300581746-000-A2

## Declaration of Contamination of Compressors, Vacuum Pumps and Components

The repair and / or servicing of compressors, vacuum pumps and components will be carried out only if a correctly completed declaration has been submitted. Non-completion will result in delay. The manufacturer can refuse to accept any equipment without a declaration.

**A separate declaration has to be completed for each single component.**

This declaration may be completed and signed only by authorized and qualified staff.

Customer/Dep./Institute : _____ Address : _____ _____ Person to contact: _____ Phone : _____ Fax: _____ End user: _____	Reason for return: <input checked="" type="checkbox"/> applicable please mark <b>Repair:</b> <input type="checkbox"/> chargeable <input type="checkbox"/> warranty <b>Exchange:</b> <input type="checkbox"/> chargeable <input type="checkbox"/> warranty <input type="checkbox"/> Exchange already arranged / received <b>Return only:</b> <input type="checkbox"/> rent <input type="checkbox"/> loan <input type="checkbox"/> for credit <b>Calibration:</b> <input type="checkbox"/> DKD <input type="checkbox"/> Factory-calibr. <input type="checkbox"/> Quality test certificate DIN 55350-18-4.2.1																																												
<b>A. Description of the Leybold product:</b> _____																																													
Material description : _____ Catalog number: _____ Serial number: _____ Type of oil (ForeVacuum-Pumps) : _____	<b>Failure description:</b> _____ <b>Additional parts:</b> _____ <b>Application-Tool:</b> _____ <b>Application- Process:</b> _____																																												
<b>B. Condition of the equipment</b>																																													
<table border="1" style="width:100%; border-collapse: collapse;"> <thead> <tr> <th style="width:30%;"></th> <th style="width:10%; text-align: center;">No<sup>1)</sup></th> <th style="width:10%; text-align: center;">Yes</th> <th style="width:10%; text-align: center;">No</th> </tr> </thead> <tbody> <tr> <td>1. Has the equipment been used</td> <td style="text-align: center;"><input type="checkbox"/></td> <td style="text-align: center;"><input type="checkbox"/></td> <td style="text-align: center;"><input type="checkbox"/></td> </tr> <tr> <td>2. Drained (Product/service fluid)</td> <td style="text-align: center;"><input type="checkbox"/></td> <td style="text-align: center;"><input type="checkbox"/></td> <td style="text-align: center;"><input type="checkbox"/></td> </tr> <tr> <td>3. All openings sealed airtight</td> <td style="text-align: center;"><input type="checkbox"/></td> <td style="text-align: center;"><input type="checkbox"/></td> <td style="text-align: center;"><input type="checkbox"/></td> </tr> <tr> <td>4. Purged</td> <td style="text-align: center;"><input type="checkbox"/></td> <td style="text-align: center;"><input type="checkbox"/></td> <td style="text-align: center;"><input type="checkbox"/></td> </tr> </tbody> </table> <p>If yes, which cleaning agent _____          and which method of cleaning _____</p> <p><sup>1)</sup> If answered with "No", go to D. ←</p>		No <sup>1)</sup>	Yes	No	1. Has the equipment been used	<input type="checkbox"/>	<input type="checkbox"/>	<input type="checkbox"/>	2. Drained (Product/service fluid)	<input type="checkbox"/>	<input type="checkbox"/>	<input type="checkbox"/>	3. All openings sealed airtight	<input type="checkbox"/>	<input type="checkbox"/>	<input type="checkbox"/>	4. Purged	<input type="checkbox"/>	<input type="checkbox"/>	<input type="checkbox"/>	<table border="1" style="width:100%; border-collapse: collapse;"> <thead> <tr> <th style="width:60%;"></th> <th style="width:10%; text-align: center;">No<sup>1)</sup></th> <th style="width:10%; text-align: center;">Yes</th> </tr> </thead> <tbody> <tr> <td><b>Contamination :</b> toxic</td> <td style="text-align: center;"><input type="checkbox"/></td> <td style="text-align: center;"><input type="checkbox"/></td> </tr> <tr> <td>corrosive</td> <td style="text-align: center;"><input type="checkbox"/></td> <td style="text-align: center;"><input type="checkbox"/></td> </tr> <tr> <td>flammable</td> <td style="text-align: center;"><input type="checkbox"/></td> <td style="text-align: center;"><input type="checkbox"/></td> </tr> <tr> <td>explosive <sup>2)</sup></td> <td style="text-align: center;"><input type="checkbox"/></td> <td style="text-align: center;"><input type="checkbox"/></td> </tr> <tr> <td>radioactive <sup>2)</sup></td> <td style="text-align: center;"><input type="checkbox"/></td> <td style="text-align: center;"><input type="checkbox"/></td> </tr> <tr> <td>microbiological <sup>2)</sup></td> <td style="text-align: center;"><input type="checkbox"/></td> <td style="text-align: center;"><input type="checkbox"/></td> </tr> <tr> <td>other harmful substances</td> <td style="text-align: center;"><input type="checkbox"/></td> <td style="text-align: center;"><input type="checkbox"/></td> </tr> </tbody> </table> <p style="text-align: right;">↓</p>		No <sup>1)</sup>	Yes	<b>Contamination :</b> toxic	<input type="checkbox"/>	<input type="checkbox"/>	corrosive	<input type="checkbox"/>	<input type="checkbox"/>	flammable	<input type="checkbox"/>	<input type="checkbox"/>	explosive <sup>2)</sup>	<input type="checkbox"/>	<input type="checkbox"/>	radioactive <sup>2)</sup>	<input type="checkbox"/>	<input type="checkbox"/>	microbiological <sup>2)</sup>	<input type="checkbox"/>	<input type="checkbox"/>	other harmful substances	<input type="checkbox"/>	<input type="checkbox"/>
	No <sup>1)</sup>	Yes	No																																										
1. Has the equipment been used	<input type="checkbox"/>	<input type="checkbox"/>	<input type="checkbox"/>																																										
2. Drained (Product/service fluid)	<input type="checkbox"/>	<input type="checkbox"/>	<input type="checkbox"/>																																										
3. All openings sealed airtight	<input type="checkbox"/>	<input type="checkbox"/>	<input type="checkbox"/>																																										
4. Purged	<input type="checkbox"/>	<input type="checkbox"/>	<input type="checkbox"/>																																										
	No <sup>1)</sup>	Yes																																											
<b>Contamination :</b> toxic	<input type="checkbox"/>	<input type="checkbox"/>																																											
corrosive	<input type="checkbox"/>	<input type="checkbox"/>																																											
flammable	<input type="checkbox"/>	<input type="checkbox"/>																																											
explosive <sup>2)</sup>	<input type="checkbox"/>	<input type="checkbox"/>																																											
radioactive <sup>2)</sup>	<input type="checkbox"/>	<input type="checkbox"/>																																											
microbiological <sup>2)</sup>	<input type="checkbox"/>	<input type="checkbox"/>																																											
other harmful substances	<input type="checkbox"/>	<input type="checkbox"/>																																											
<b>C. Description of processed substances (Please fill in absolutely)</b>																																													
1. What substances have come into contact with the equipment ? Trade name and / or chemical term of service fluids and substances processed, properties of the substances According to safety data sheet (e.g. toxic, inflammable, corrosive, radioactive)																																													
<table border="1" style="width:100%; border-collapse: collapse;"> <thead> <tr> <th style="width:5%;"></th> <th style="width:30%;">Tradename:</th> <th style="width:65%;">Chemical name:</th> </tr> </thead> <tbody> <tr> <td>a)</td> <td></td> <td></td> </tr> <tr> <td>b)</td> <td></td> <td></td> </tr> <tr> <td>c)</td> <td></td> <td></td> </tr> <tr> <td>d)</td> <td></td> <td></td> </tr> </tbody> </table>			Tradename:	Chemical name:	a)			b)			c)			d)																															
	Tradename:	Chemical name:																																											
a)																																													
b)																																													
c)																																													
d)																																													
2. Are these substances harmful ? <span style="float: right;">←</span> 3. Dangerous decomposition products when heated ? If yes, which ? _____																																													
<p><sup>2)</sup> Components contaminated by microbiological, explosive or radioactive products/substances will not be accepted without written evidence of decontamination.</p>																																													
<b>D. Legally binding declaration</b>																																													
I / we hereby declare that the information supplied on this form is accurate and sufficient to judge any contamination level.																																													
Name of authorized person (block letters) : _____ _____ Date	_____ signature of authorized person <div style="border: 1px dashed black; width: 100px; height: 50px; margin-left: auto; margin-top: 10px;"> <div style="text-align: center; font-size: small;">firm stamp</div> </div>																																												

# Sales and Service

## Germany

**Leybold GmbH**  
Bonner Strasse 498  
D-50968 Cologne  
T: +49-(0)221-347 1234  
F: +49-(0)221-347 31234  
sales@leybold.com  
www.leybold.com

**Leybold GmbH**  
**Sales Area North**  
Branch Office Berlin  
Industriestrasse 10b  
D-12099 Berlin  
T: +49-(0)30-435 609 0  
F: +49-(0)30-435 609 10  
sales.bn@leybold.com

**Leybold GmbH**  
**Sales Office South**  
Branch Office Munich  
Karl-Hammerschmidt-Strasse 34  
D-85609 Aschheim-Dornach  
T: +49-(0)89-357 33 9-10  
F: +49-(0)89-357 33 9-33  
sales.mn@leybold.com  
service.mn@leybold.com

**Leybold Dresden GmbH**  
**Service Competence Center**  
Zur Wetterwarte 50, Haus 304  
D-01109 Dresden  
Service:  
T: +49-(0)351-88 55 00  
F: +49-(0)351-88 55 041  
info.dr@leybold.com

## Europe

### Belgium

**Leybold Nederland B.V.**  
**Belgisch bijkantoor**  
Leuvensesteenweg 542-9A  
B-1930 Zaventem  
Sales:  
T: +32-2-711 00 83  
F: +32-2-720 83 38  
sales.zv@leybold.com  
Service:  
T: +32-2-711 00 82  
F: +32-2-720 83 38  
service.zv@leybold.com

### France

**Leybold France S.A.S.**  
Parc du Technopolis, Bâtiment Beta  
3, Avenue du Canada  
F-91940 Les Ulis cedex  
Sales and Service:  
T: +33-1-69 82 48 00  
F: +33-1-69 07 57 38  
info.ctb@leybold.com  
sales.ctb@leybold.com

**Leybold France S.A.S.**  
Valence Factory  
640, Rue A. Bergès  
B.P. 107  
F-26501 Bourg-lès-Valence Cedex  
T: +33-4-75 82 33 00  
F: +33-4-75 82 92 69  
marketing.vc@leybold.com

## Great Britain

**Leybold UK LTD.**  
Unit 9  
Silverglade Business Park  
Leatherhead Road  
Chessington  
Surrey (London)  
KT9 2QL  
Sales:  
T: +44-13-7273 7300  
F: +44-13-7273 7301  
sales.ln@leybold.com  
Service:  
T: +44-13-7273 7320  
F: +44-13-7273 7303  
service.ln@leybold.com

## Italy

**Leybold Italia S.r.l.**  
Via Filippo Brunelleschi 2  
I-20093 Cologno Monzese  
Sales:  
T: +39-02-27 22 31  
F: +39-02-27 20 96 41  
sales.mi@leybold.com  
Service:  
T: +39-02-27 22 31  
F: +39-02-27 22 32 17  
service.mi@leybold.com

## Netherlands

**Leybold Nederland B.V.**  
Floridadreef 102  
NL-3565 AM Utrecht  
Sales and Service:  
T: +31-(30) 242 63 30  
F: +31-(30) 242 63 31  
sales.ut@leybold.com  
service.ut@leybold.com

## Switzerland

**Leybold Schweiz AG**  
Hinterbergstrasse 56  
CH-6312 Steinhausen  
Warehouse and shipping address:  
Riedthofstrasse 214  
CH-8105 Regensdorf  
Sales:  
T: +41-44-308 40 50  
F: +41-44-302 43 73  
sales.zh@leybold.com  
Service:  
T: +41-44-308 40 62  
F: +41-44-308 40 60  
service.zh@leybold.com

## Spain

**Leybold Hispánica, S.A.**  
C/. Huelva, 7  
E-08940 Cornellá de Llobregat  
(Barcelona)  
Sales:  
T: +34-93-666 43 11  
F: +34-93-666 43 70  
sales.ba@leybold.com  
Service:  
T: +34-93-666 46 11  
F: +34-93-685 43 70  
service.ba@leybold.com

## Headquarter

**Leybold GmbH**  
Bonner Strasse 498  
D-50968 Cologne  
T: +49-(0)221-347-0  
F: +49-(0)221-347-1250  
info@leybold.com

## America

### USA

**Leybold USA Inc.**  
5700 Mellon Road  
USA-Export, PA 15632  
T: +1-724-327-5700  
F: +1-724-325-3577  
info.ex@leybold.com  
Sales:  
T: +1-724-327-5700  
F: +1-724-333-1217  
Service:  
T: +1-724-327-5700  
F: +1-724-325-3577

### Brazil

**Leybold do Brasil**  
Rod. Vice-Prefeito Hermenegildo Tonolli,  
nº. 4413 - 6B  
Distrito Industrial  
Jundiá - SP  
CEP 13.213-086  
Sales and Service:  
T: +55 11 3395 3180  
F: +55 11 99467 5934  
sales.ju@leybold.com  
service.ju@leybold.com

## Asia

### P. R. China

**Leybold (Tianjin)**  
**International Trade Co. Ltd.**  
Beichen Economic  
Development Area (BEDA),  
No. 8 Western Shuangchen Road  
Tianjin 300400  
China  
Sales and Service:  
T: +86-400 038 8989  
T: +86-800 818 0033  
F: +86-22-2697 4061  
F: +86-22-2697 2017  
sales.tj@leybold.com  
service.tj@leybold.com

### India

**Leybold India Pvt Ltd.**  
T-97/2, MIDC Bhosari  
Pune-411 026  
Indien  
Sales and Service:  
T: +91-80-2783 9925  
F: +91-80-2783 9926  
sales.bgj@leybold.com  
service.bgj@leybold.com

## Japan

**Leybold Japan Co., Ltd.**  
Headquarters  
Shin-Yokohama A.K.Bldg., 4th floor  
3-23-3, Shin-Yokohama  
Kohoku-ku, Yokohama-shi  
Kanagawa-ken 222-0033  
Japan  
Sales:  
T: +81-45-471-3330  
F: +81-45-471-3323  
sales.yh@leybold.com

**Leybold Japan Co., Ltd.**  
Tsukuba Technical Service Center  
1959, Kami-yokoba  
Tsukuba-shi, Ibaraki-shi 305-0854  
Japan  
Service:  
T: +81-29 839 5480  
F: +81-29 839 5485  
service.iik@leybold.com

## Malaysia

**Leybold Malaysia**  
**Leybold Singapore Pte Ltd.**  
No. 1 Jalan Hi-Tech 2/6  
Kulim Hi-Tech Park  
Kulim, Kedah Darul  
Aman 09000  
Malaysia  
Sales and Service:  
T: +604 4020 222  
F: +604 4020 221  
sales.ku@leybold.com  
service.ku@leybold.com

## South Korea

**Leybold Korea Ltd.**  
3F. Jellzone 2 Tower  
Jeongja-dong 159-4  
Bundang-gu Sungnam-si  
Gyeonggi-do  
Bundang 463-384, Korea  
Sales:  
T: +82-31 785 1367  
F: +82-31 785 1359  
sales.bd@leybold.com  
Service:  
623-7, Upsung-Dong  
Cheonan-Si  
Chungcheongnam-Do  
Korea 330-290  
T: +82-41 589 3035  
F: +82-41 588 0166  
service.cn@leybold.com

## Singapore

**Leybold Singapore Pte Ltd.**  
42 Loyang Drive  
Loyang Industrial Estate  
Singapore 508962  
Singapore  
Sales and Service:  
T: +65-6303 7030  
F: +65-6773 0039  
sales.sg@leybold.com  
service.sg@leybold.com

## Taiwan

**Leybold Taiwan Ltd.**  
10F., No. 32, Chenggong 12th St.,  
Zhubei City, Hsinchu County 302  
Taiwan, R.O.C.  
Sales and Service:  
T: +886-3-500 1688  
F: +886-3-550 6523  
sales.hc@leybold.com  
service.hc@leybold.com