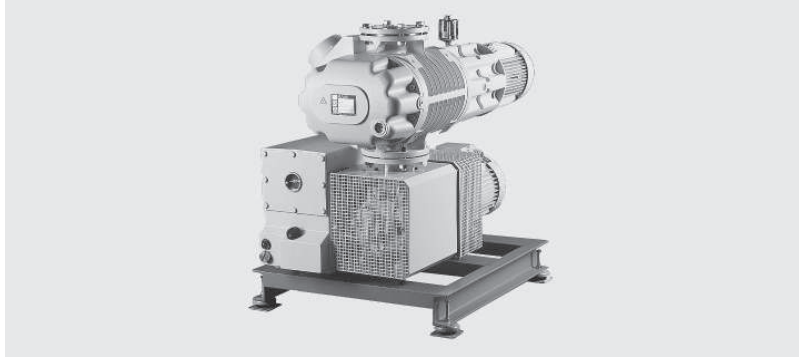


# Oil Sealed RUTA Pump Systems

## Two-Stage, with Single-Stage SOGEVAC Backing Pumps, Adaptor Version



RUTA WAU1001/SV200/A

### Standard Equipment

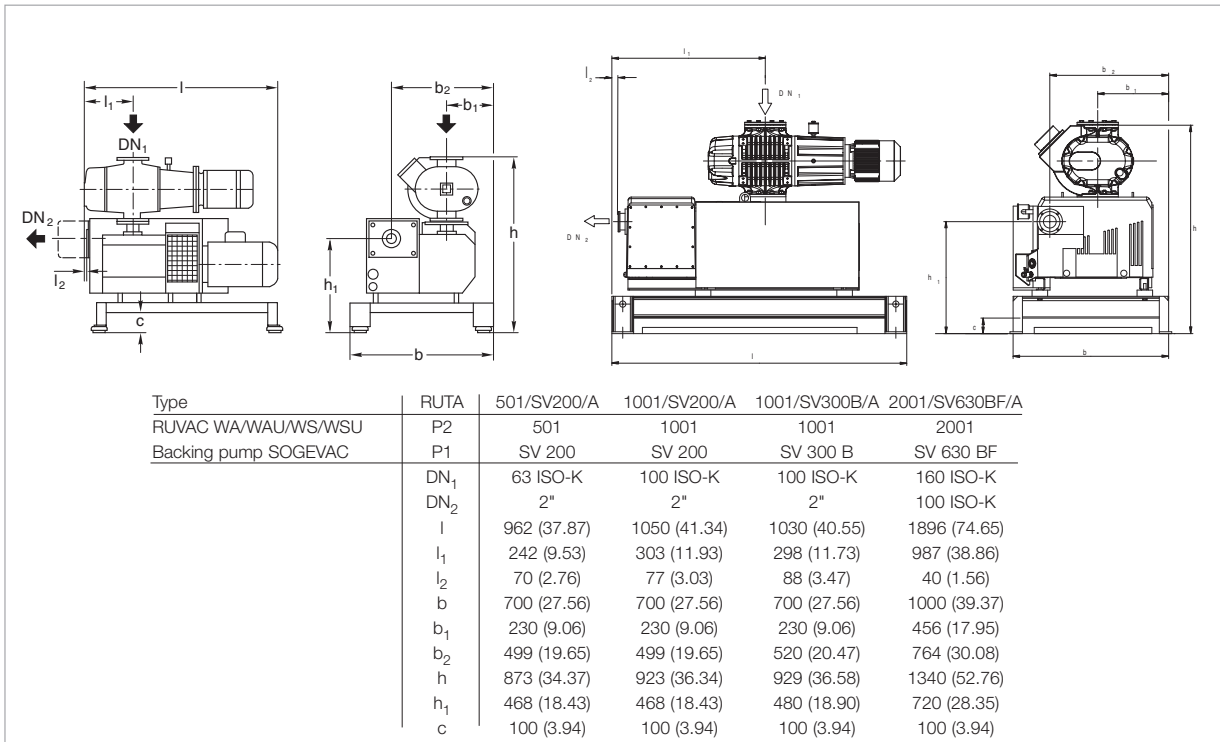
- Exhaust filter with oil return line
- Oil filter
- Oil collecting pan
- Gas ballast valve:  
SV 200/300 B manually operated  
SV 630 BF 24 V DC
- SV 200/300 B with air cooling
- SV 630 BF with water cooling
- Floor mounting

- The oil is supplied with the pump
- CE approval

### Options

- Frequency converter RUVATRONIC RT for controlling the speed of the Roots pump
- 24 V DC gas ballast valve or manually operated

- Sound proofing box
- Vibration absorbers
- Castors
- Different types of floor mounts
- Oil drain valve on each pump
- Special motors
- Electric control systems



Dimensional drawing for the pump systems with SOGEVAC SV 200 and 300 B backing pumps [left], SOGEVAC SV 630 BF [right]; dimensions in brackets ( ) are in inch

## Technical Data, 50 Hz

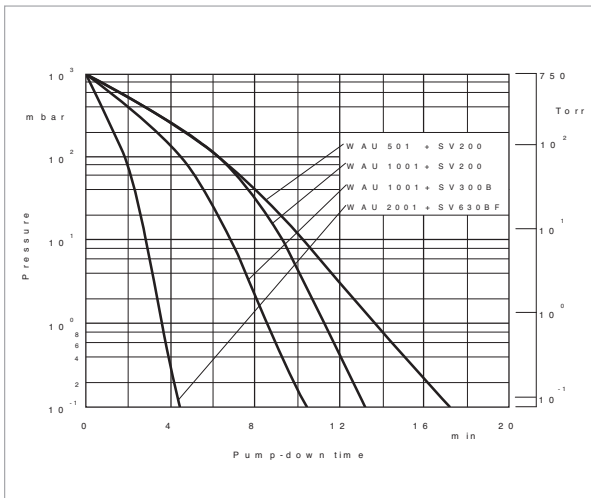
## RUTA WAU

		501/SV200/A	1001/SV200/A	1001/SV300B/A	2001/SV630BF/A
RUVAC (WA/WAU/WS/WSU possible)	P2	501	1001	1001	2001
Backing pump SOGEVAC	P1	SV 200	SV 200	SV 300 B	SV 630 BF
Pumping speed, 50 Hz at $10^{-1}$ mbar ( $7.5 \times 10^{-2}$ Torr)	$\text{m}^3 \times \text{h}^{-1}$ (cfm)	365.0 (215.0)	715.0 (421.0)	730.0 (430.0)	1690.0 (995.4)
Ultimate partial pressure	mbar (Torr)	$< 8 \times 10^{-3}$ ( $< 6 \times 10^{-3}$ )	$< 8 \times 10^{-3}$ ( $< 6 \times 10^{-3}$ )	$< 8 \times 10^{-3}$ ( $< 6 \times 10^{-3}$ )	$< 8 \times 10^{-3}$ ( $< 6 \times 10^{-3}$ )
Ultimate total pressure with gas ballast	mbar (Torr)	$< 4 \times 10^{-2}$ ( $< 3 \times 10^{-2}$ )	$< 4 \times 10^{-2}$ ( $< 3 \times 10^{-2}$ )	$< 4 \times 10^{-2}$ ( $< 3 \times 10^{-2}$ )	$< 4 \times 10^{-2}$ ( $< 3 \times 10^{-2}$ )
Installed motor power 400 V, 50 Hz	kW (hp)	6.2 (8.4)	8.0 (10.9)	9.5 (12.9)	22.5 (30.6)
Electrical power consumption at $10^{-1}$ mbar ( $7.5 \times 10^{-2}$ Torr)	kW (hp)	3.0 (4.1)	3.5 (4.8)	4.0 (5.4)	16.5 (22.4)
Noise level without gas ballast at $10^{-1}$ mbar ( $7.5 \times 10^{-2}$ Torr)	dB(A)	70	75	76	80
Oil filling, total, approx.	l (qt)	6.0 (6.34)	7.0 (7.4)	11.0 (11.63)	26.0 (27.47)
Weight, total, approx.	kg (lbs)	335.0 (738.7)	430.0 (948.2)	480.0 (1058.4)	1140.0 (2513.7)
Connecting flange Inlet port	DN <sub>1</sub>	63 ISO-K	100 ISO-K	100 ISO-K	160 ISO-K
Outlet port	DN <sub>2</sub>	2"	2"	2"	100 ISO-K

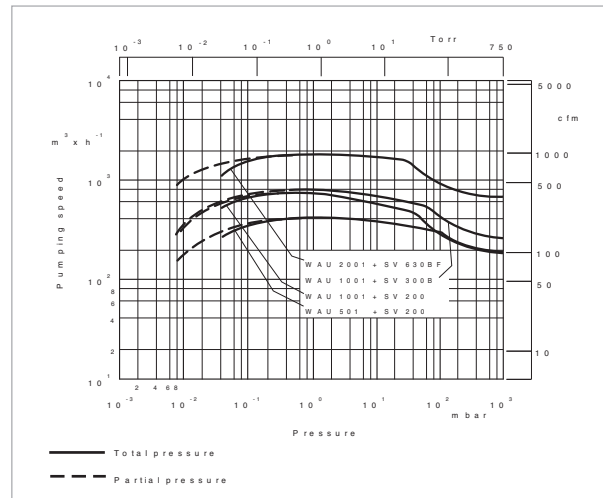
## Ordering Information

## RUTA WAU

		501/SV200/A	1001/SV200/A	1001/SV300B/A	2001/SV630BF/A
		<b>Part No.</b>	<b>Part No.</b>	<b>Part No.</b>	<b>Part No.</b>
RUVAC (WA/WAU/WS/WSU possible)	P2	WAU 501	WAU 1001	WAU 1001	WAU 2001
Backing pump SOGEVAC	P1	SV 200	SV 200	SV 300 B	SV 630 BF
Pump system, complete (adaptor version), pallet mounted, with Roots vacuum pump RUVAC WAU		<b>022 06</b>	<b>022 08</b>	<b>502 462 V001</b>	<b>502 463 V001</b>
Frequency converter RUVATRONIC (see description in Chapter "Accessories")		RT 5/501	RT 5/1001	RT 5/1001	RT 5/2001
		<b>500 001 382</b>	<b>500 001 383</b>	<b>500 001 383</b>	<b>500 001 384</b>



Pump-down time diagram for a 10 m<sup>3</sup> tank at 50 Hz



Pumping speed diagram at 50 Hz