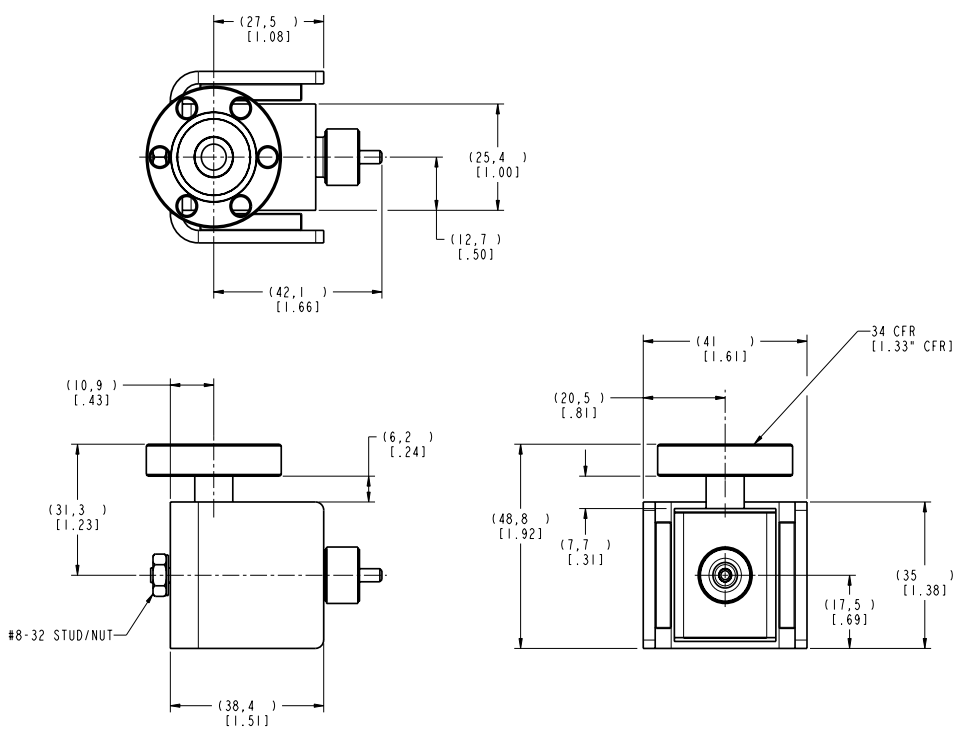


TiTan Mini Ion Pump



DIMENSIONAL DETAILS*



*Single inlet flange shown. Alternative configurations available at www.gammavacuum.com

Technical specifications

Element type	DI
Pumping speed (l/s, Nitrogen)	0.2
Starting pressure (mbar)	$\leq 1 \times 10^{-4}$
Lifetime (hours @ 10^{-6} mbar)	50,000
Ultimate pressure (mbar)	$< 1 \times 10^{-11}$
Maximum baking temperature (°C)	200 / 450 (without magnets)
Inlet flange	DN 16 (1.33 in.) CFR
Weight, kg (lbs)	0.35 (0.8)

STANDARD OPTIONS*

Element styles	Ports	Feedthroughs	Heaters	TSP/NEG
DI Differential 50% Titanium 50% Tantalum	1V Single DN 16 (1.33 in. CFR) Vertically oriented	MN Mini	N No Heaters	N Not Available

