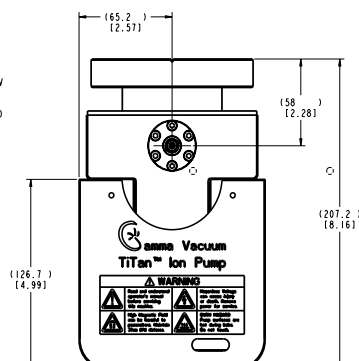
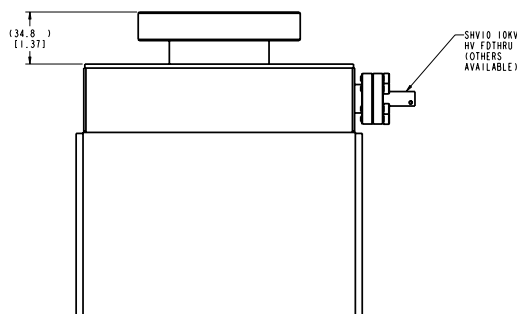
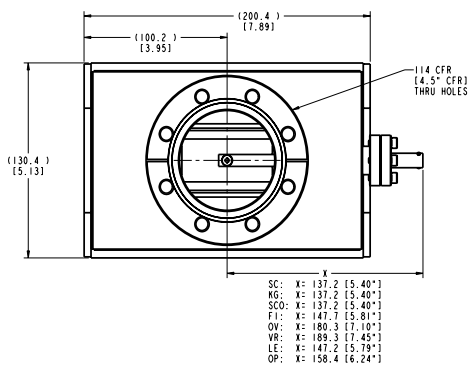


# Titan 45S Ion Pump



## DIMENSIONAL DETAILS\*



\*Single inlet flange shown.  
 Alternative configurations available at  
[www.gammavacuum.com](http://www.gammavacuum.com)

# Technical specifications

Element type	CV/CVX	DI/DIX	TR
Pumping speed (l/s, Nitrogen)	40	35	35
Starting pressure (mbar)	$\leq 1 \times 10^{-3}$	$\leq 1 \times 10^{-3}$	$\leq 5 \times 10^{-2}$
Lifetime (hours @ $10^{-6}$ mbar)	50,000	50,000	80,000
Ultimate pressure (mbar)	$\leq 1 \times 10^{-11}$		
Maximum baking temperature (°C)	250 / 450 (without magnets)		
Inlet flange	DN 63 (4.5 in.) CFR		
Weight, kg (lbs)	16 (34)		

## STANDARD OPTIONS\*

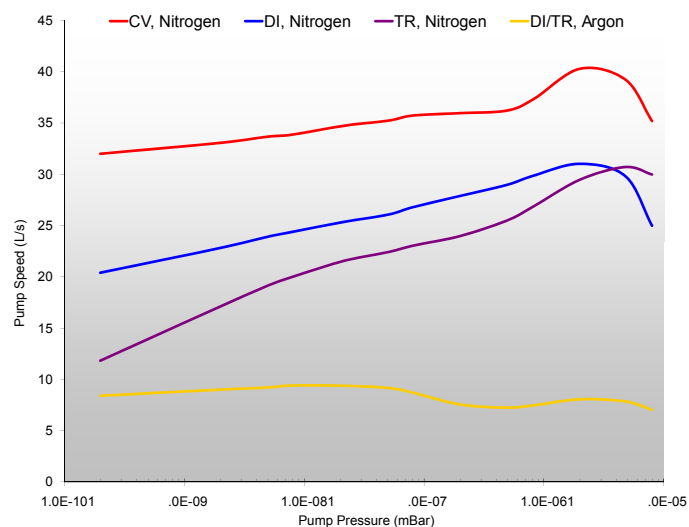
Element type	Ports	Feedthroughs	Heaters	TSP/NEG
CV Conventional 100% Titanium	2H Single DN 63 (4.5 in. CFR) Vertically oriented	SC SAFECONN 10kV SHV	N No heaters	N Not available
CVX Conventional SEM Shielding	2V Single DN 35 (2.75 in. CFR) Vertically oriented	OP Perkin Elmer	110 110-volt 90-130 nominal	N50 50 l/s NEG
DI Differential 50% Titanium 50% Tantalum	2D Single DN 35 (2.75 in. CFR) Horizontally oriented	OV Old varian	220 220-volt 200-240 nominal	N100 100 l/s NEG
DIX Differential SEM Shielding	2D Double DN 35 (2.75 in. CFR)	VR StarCell		N200 200 l/s NEG
TR Triode Slotted Titanium	4D Double DN 63 (4.5 in. CFR) DN 35 (2.75 in. CFR)	FI Fisher		

\*Configured part numbers and pricing are available at [www.gammavacuum.com](http://www.gammavacuum.com). Contact us directly for custom engineered options.

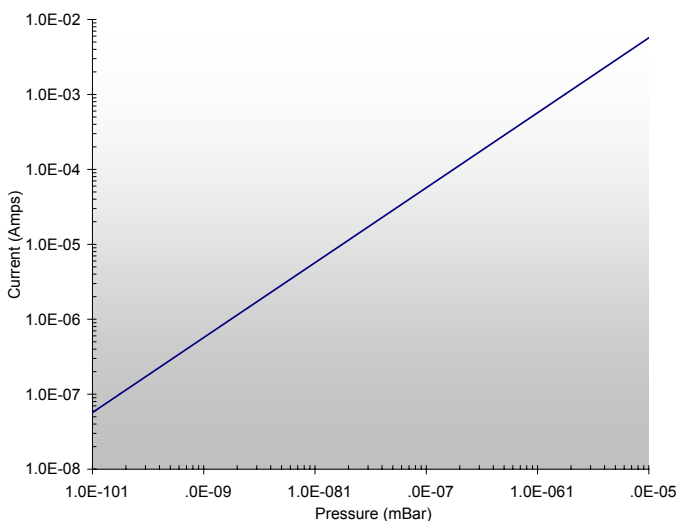
## PERFORMANCE CHARACTERISTICS

### Pumping Speed vs. Pressure

measured in accordance with ISO/DIS 3556-1.2-1192



### Current vs. Pressure



2915 133rd Street West, Shakopee, MN 55379, USA. ☎ 1 800 237 3603, 952 445 4841  
 ☎ 1 952 445 4841 ✉ [info@gammavacuum.com](mailto:info@gammavacuum.com) 🌐 [www.gammavacuum.com](http://www.gammavacuum.com)

© Gamma Vacuum 2018. | Part of the Atlas Copco Group | Publication No. 3601 7698 01

