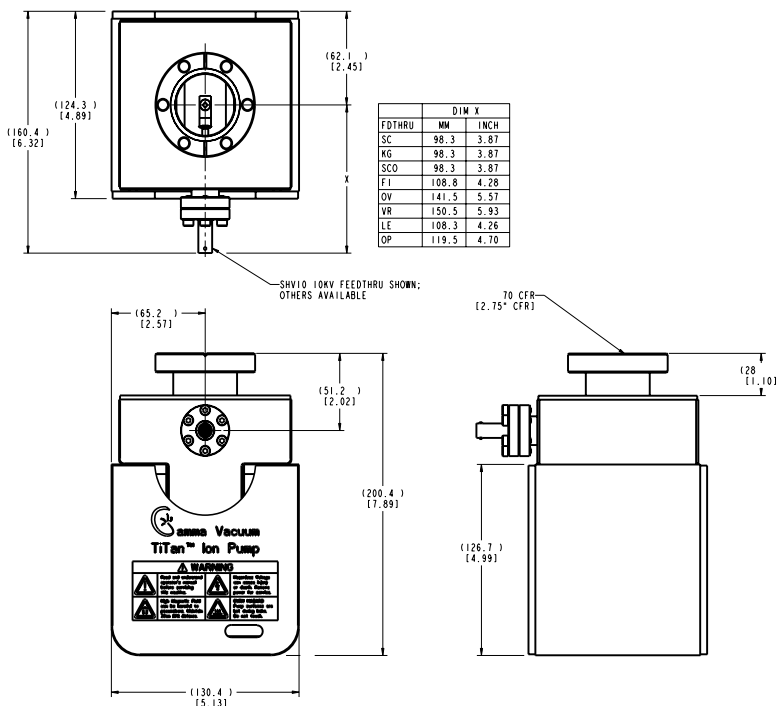


Titan 25S Ion Pump



DIMENSIONAL DETAILS*



*Single inlet flange shown. Alternative configurations available at www.gammavacuum.com

Technical specifications

Element type	CV/CVX	DI/DIX	TR
Pumping speed (l/s, Nitrogen)	20	15	15
Starting pressure (mbar)	$\leq 1 \times 10^{-3}$	$\leq 1 \times 10^{-3}$	$\leq 5 \times 10^{-2}$
Lifetime (hours @ 10^{-6} mbar)	50,000	50,000	80,000
Ultimate pressure (mbar)	$\leq 1 \times 10^{-11}$		
Maximum baking temperature (°C)	250 / 450 (without magnets)		
Inlet flange	DN 35 (2.75 in.) CFR		
Weight, kg (lbs)	9 (20)		

STANDARD OPTIONS*

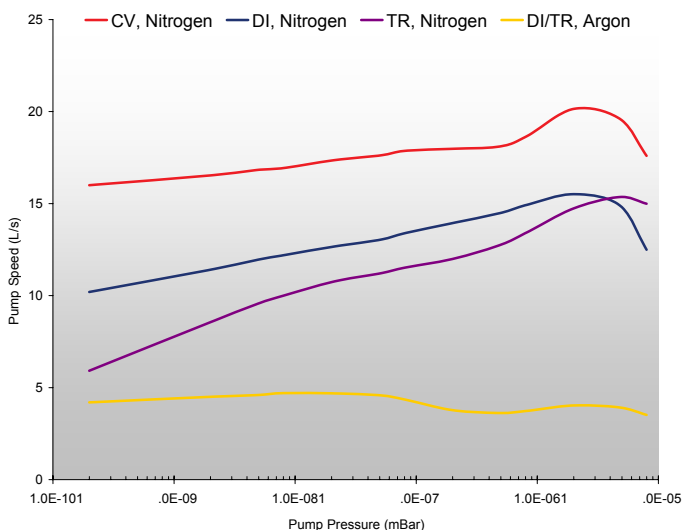
Element type	Ports	Feedthroughs	Heaters	TSP/NEG
CV Conventional 100% Titanium	4V Single DN 63 (4.5 in. CFR) Vertically oriented	SC SAFECONN 10kV SHV	N No heaters	N Not available
CVX Conventional SEM Shielding	2V Single DN 35 (2.75 in. CFR) Vertically oriented	OP Perkin Elmer	110 110-volt 90-130 nominal	N50 50 l/s NEG
DI Differential 50% Titanium 50% Tantalum	2H Single DN 35 (2.75 in. CFR) Horizontally oriented	OV Old Varian	220 220-volt 200-240 nominal	N100 100 l/s NEG
DIX Differential SEM Shielding	2D Double DN 35 (2.75 in. CFR)	VR StarCell		
TR Triode Slotted Titanium	4D Double DN 63 (4.5 in. CFR) DN 35 (2.75 in. CFR)	FI Fisher		

*Configured part numbers and pricing are available at www.gammavacuum.com. Contact us directly for custom engineered options.

PERFORMANCE CHARACTERISTICS

Pumping Speed vs. Pressure

measured in accordance with ISO/DIS 3556-1.2-1192



Current vs. Pressure

