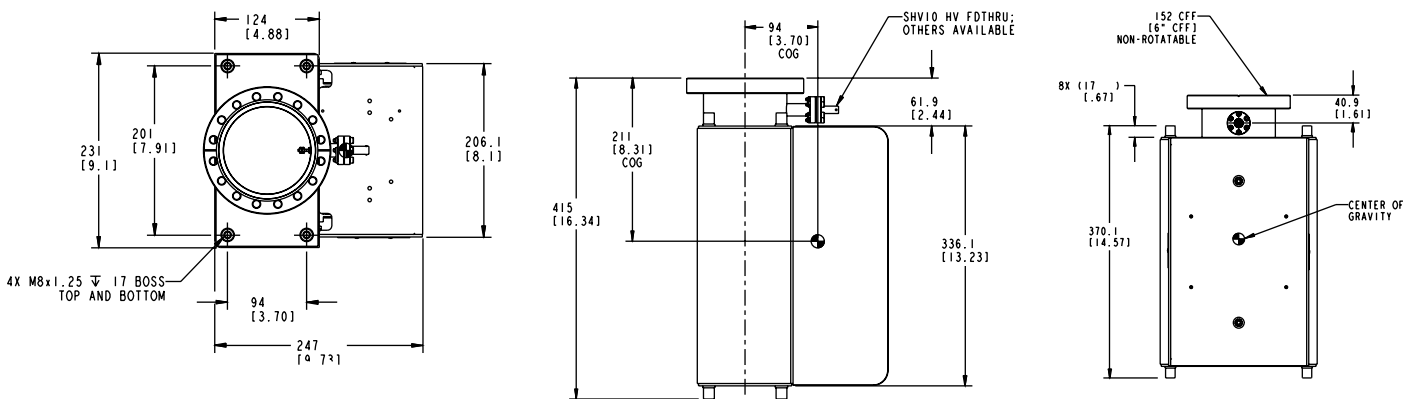


# Titan 150T Ion Pump



## DIMENSIONAL DETAILS\*



\*Double inlet flange shown. Alternative configurations available at [www.gammavacuum.com](http://www.gammavacuum.com)

# Technical specifications

Element type	CV/CVX	DI/DIX	TR
Pumping speed (l/s, Nitrogen)	150	120	120
Starting pressure (mbar)	$\leq 1 \times 10^{-3}$	$\leq 1 \times 10^{-3}$	$\leq 5 \times 10^{-2}$
Lifetime (hours @ $10^{-6}$ mbar)	50,000	50,000	80,000
Ultimate pressure (mbar)	$\leq 1 \times 10^{-11}$		
Maximum baking temperature (°C)	250 / 450 (without magnets)		
Inlet flange	DN 100 (6 in.) CFF		
Weight, kg (lbs)	36 (79)		

## STANDARD OPTIONS\*

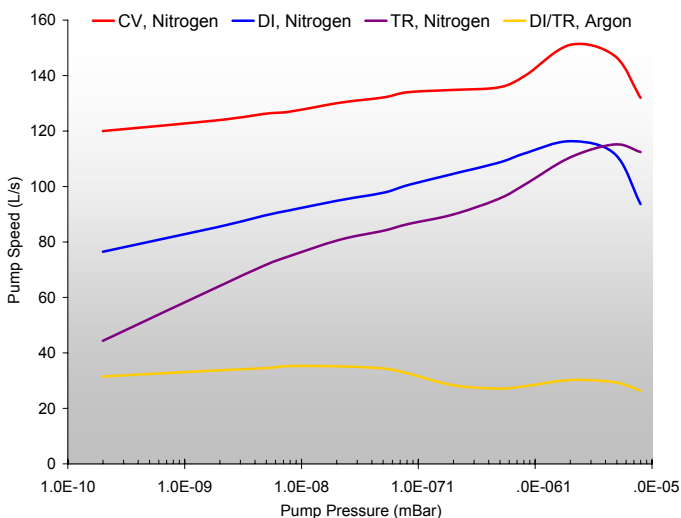
Element type	Ports	Feedthroughs	Heaters	TSP/NEG
CV Conventional 100% Titanium	6S Single DN 100 (6 in. CFF)	SC SAFECONN 10kV SHV	N No heaters	N Not available
CVX Conventional XHV Optimized	6D Double DN 100 (6 in. CFF)	OP Perkin Elmer	110 110-volt 90-130 nominal	TSPA TSP with Ambient Shield
DI Differential 50% Titanium 50% Tantalum	6P Sideport DN 100 (6 in. CFF) DN 150 (8 in. CFF)	OV Old Varian	220 220-volt 200-240 nominal	TSPC TSP with Cryo Shroud
DIX Differential XHV Optimized	8S Single DN 150 (8 in. CFF) 4 in. port inlet**	VR StarCell		NEG N Series
TR Triode Slotted Titanium	8D Double DN 150 (8 in. CFF) 4 in. port inlet**	FI Fisher		
	8P Single DN 150 (8 in. CFF)** DN 150 (8 in. CFF)			

\*Configured part numbers and pricing are available at [www.gammavacuum.com](http://www.gammavacuum.com). Contact us directly for custom engineered options.\*\* Reduced bore inlet

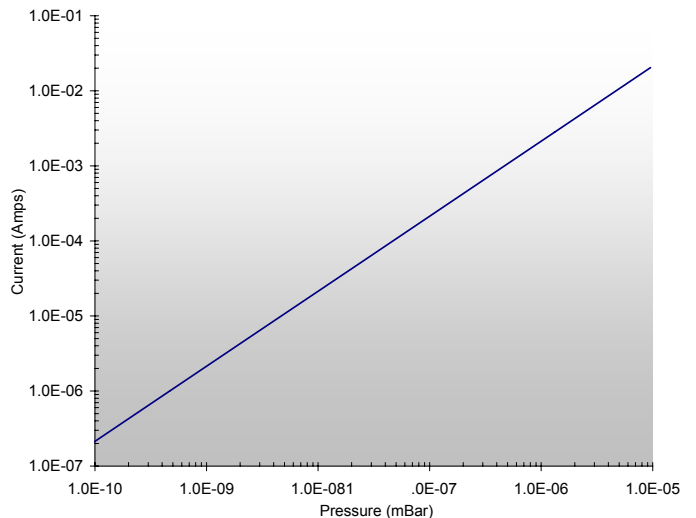
## PERFORMANCE CHARACTERISTICS

### Pumping Speed vs. Pressure

measured in accordance with ISO/DIS 3556-1.2-1192



### Current vs. Pressure



2915 133rd Street West, Shakopee, MN 55379, USA. ☎ 1 800 237 3603, 952 445 4841  
 ☎ 1 952 445 4841 ✉ [info@gammavacuum.com](mailto:info@gammavacuum.com) 🌐 [www.gammavacuum.com](http://www.gammavacuum.com)

© Gamma Vacuum 2018. | Part of the Atlas Copco Group | Publication No. 3601 7438 01

