

# Rotary Vane Vacuum Pump

**2100A** OR **SD** PASCAL Series

2100A or 2100 SD 85 CFM



Alcatel Adixen Pascal Series 2100A and 2100SD Rotary Vane Vacuum Pump

**Rebuilt**

## 2100A or SD

Addresses the requirements of all major vacuum application for non-corrosive applications.



Paint scheme may be different

## Specifications for 2100A or 2100SD

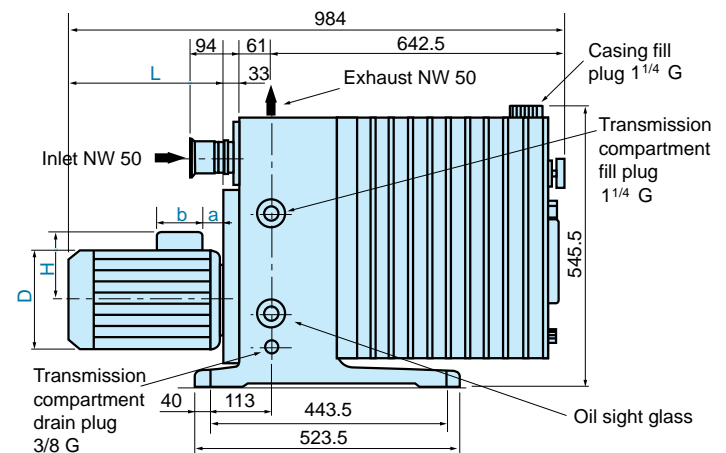
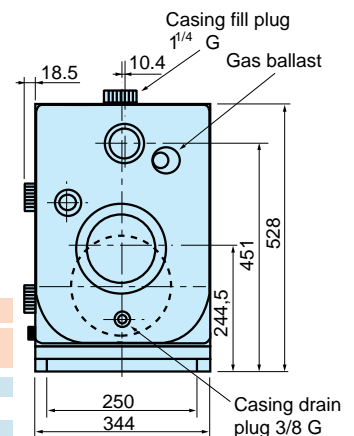
### REBUILT A - SD PASCAL Series 2 Stages

Specifications	Units	2100A/SD
Part Number		P10975
Price (2009 Rebuilt Prices)		\$5,475
Nominal pumping speed (*)	50Hz	m <sup>3</sup> /h 120
	60Hz	cfm 85
Pneurop pumping speed (*)	50Hz	m <sup>3</sup> /h 100
	60Hz	cfm 70.6
Ultimate partial pressure (*)		mbar 2.10 <sup>-4</sup>
Ultimate total pressure (*)	closed gas ballast	mbar 3.10 <sup>-3</sup>
	open gas ballast	mbar 3.10 <sup>-2</sup>
Water vapor capacity	50/60Hz	g/h 3000
Water vapor pressure	50/60Hz	mbar 40
Weight (max)		kg (lbs) 231 (508)
Dimensions		see graphic to the right
Electrical motors	50 hz 220/380vac	240/415vac
	60 hz 220/380vac	280/480vac
Max nominal power rating	50/60Hz	kW 3/3.6
Min ambient temperature		°C (°F) 12 (54)
Max ambient temperature		°C (°F) 45 (113)
Oil capacity		l 7.5
Inlet flange		ISO-KF DN 50
Exhaust flange		ISO-KF DN 50

## Dimensional Drawings for 2100A or 2100SD Alcatel Adixen Vacuum Pump (In mm)

Specific dimensions according to motors

Motor type	L mm	D mm	H mm	a mm	b mm
VDE	310	196	140	44.5	86
CSA	305	195	140	44.5	86
JIS	310	196	140	44.5	86



## Accessories for 2100A/SD Vacuum Pumps



## Oil Mist Eliminators For 2100A or SD

Oil Mist eliminators retain oil mist contained in the exhausted gases with a high level of separation; an internal over pressure valve prevents exceeding the maximum exhaust pressure.

### Heavy Duty Oil Mist Eliminator

material: ..... body: carbon steel canister

with 1/4" drain cap, inlet port: 2" P/N P102589

weight: ..... 15 lbs. Parent Flow 125 CFM

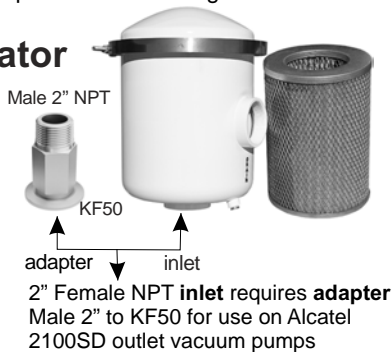
Price..... (comes with cartridge).....\$473.00

**Adapter 2" inch to ISO KF50** P/N P102336

Price.....\$131.25

**Replacement Cartridge** (single): P/N P102627

Price.....\$80.85

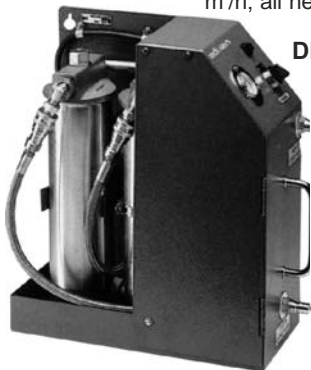


## DE External Oil Filters For 2100A or SD

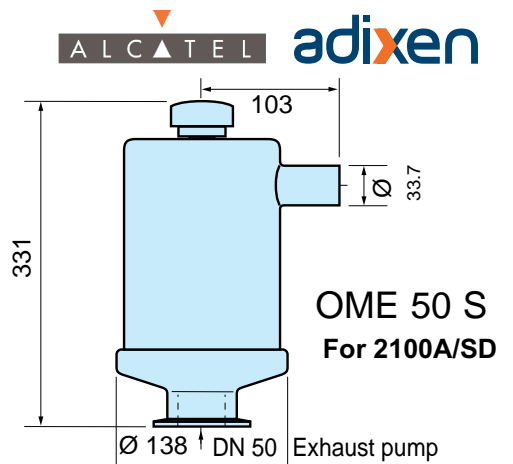
**DE FILTERS** retain solid particles and/or neutralizes corrosive products contained in the oil of the pump. DE filters can be connected to any rotary vane pump from 5 m<sup>3</sup>/h to 100 m<sup>3</sup>/h; all necessary components for connexion are included.

### DE Filter Media DE1(1 Cartridge) DE2(2 Cartridges)

- **Cellulose filter:** filtration of solid particles only  
Applications: General Use
- **Activated alumina:** envelope/charge of activated alumina  
Applications: mineral acids, Lewis acids, Polar compounds.
- **Activated charcoal:** envelope/charge of activated charcoal.  
Applications: Chlorinated products, water and chlorine, Nitrous vapors, Ammonia.



## Oil Mist Eliminators From Alcatel



### OME 50 S for pump 2100A/SD

Suitable for standard applications

material: ..... body: stainless steel

..... cartridge: cellulose

weight: ..... 3.5kg 7.7 lbs

inlet port/exhaust port: DN50 ISO-KF: P/N 104888

Price.....\$1,464.00

**Replacement Cartridge** (1 set): P/N 082672

Price.....\$63.00



### ● DE External Filters

	DE1	DE2
Price	\$5095.00	\$7260.00
weight kg/lbs	12/24.6	17/37.4
electrical supply	110/220V 50HZ	115/230V 60 HZ
oil flow hydrocarbon	1000 - 1500 cm <sup>3</sup> /mn	
synthetic	1000 cm <sup>3</sup> /mn at 65° C	
P/N 110/115V	068991	104375
220/230V	068990	104374

### ● Replacement Cartridges

Price	\$97.65	\$91.50	\$115.05
type	activated alumina	activated charcoal	cellulose
P/N	068880	068881	078212

- standard (factory installed) cartridges are:
  - DE 1 : activated alumina
  - DE 2 : cellulose and activated alumina
- oil volume : DE 1: 1.2 lit. - DE 2: 1.8 lit.