

Vacuum Pumping Station



Product features



Easy operation

One touch simple control provides roughing pump or UHV operation.



Safety

Automatic foreline safety valve, automated interlocked inlet valve provides complete pump isolation and protection in the event of process upset.



Portability

4 rollers make for easy handling.

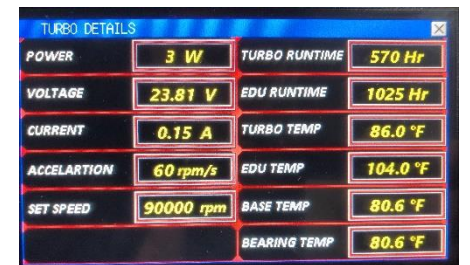
Low center of gravity and lift points provide access to hard reach areas.

Specifications

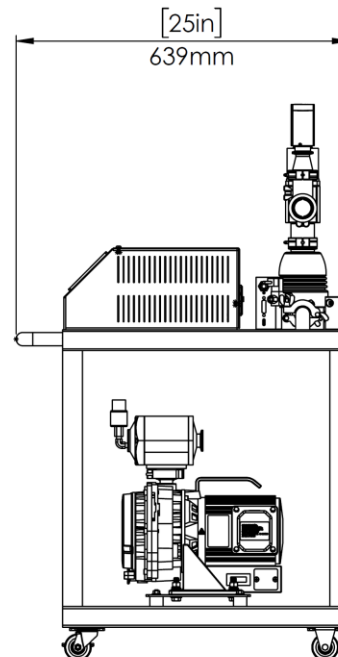
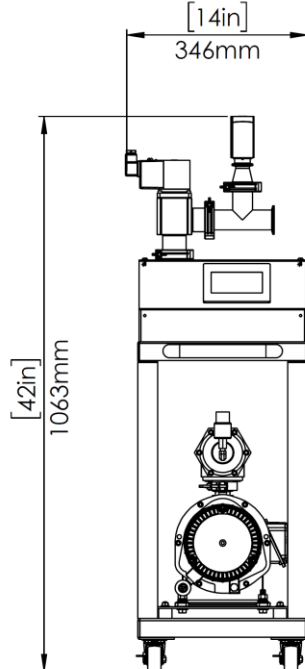
Model			VTC-080-S1
Vacuum Pump	TMP	Pfeiffer	HiPace 80
	Scroll	Anest Iwata	ISP-90
Ultimate Pressure	TMP	Pa	1×10^{-5} (7.5×10^{-8})
	Scroll	(Torr)	5.0 (3.7×10^{-2})
Voltage		V	100-115
Weight		kg (lbs)	55 (120)
Inlet connection		—	NW25
Outlet connection		—	NW16
Dimension		mm (in)	364x639x1063 (25x14x42)



Main screen



Turbo pump status



ANEST IWATA Air Engineering, Inc.

9525 Glades Drive West Chester, OH 45011 U.S.A.

TEL: 513-755-5130

FAX: 513-755-1889

Toll free: 800-440-0282

Email: vacuuminquiry@anestiwata.com

www.anestiwata.com