

Key to Fig. 2

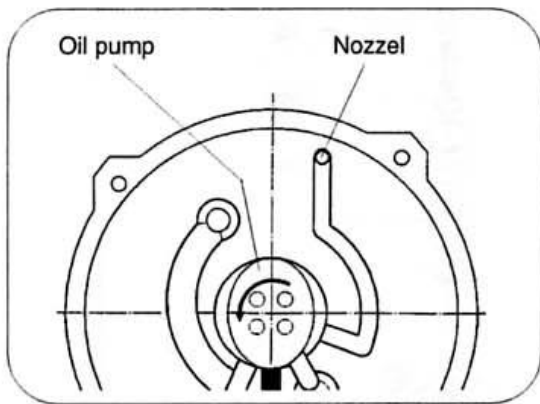
- | | | |
|--|------------------------------|--------------------------|
| 1 Hex. socket bolt | 15 High vacuum bearing plate | 30 Non-return valve |
| 2 Washer | 16 Hex. socket bolt | 31 Gas ballast - orifice |
| 3 Sealing ring | 17 Flat seal | 32 O-ring |
| 4 Oil-fill plug | 18 Gas ballast valve - cap | 33 Diaphragm valve |
| 5 Sealing ring | 19 Gas ballast valve | 34 Cylinder head bolt |
| 6 Exhaust port | 20 Flat seal | 35 Washer |
| 7 Guide panel | 21 Hex. socket bolt | 36 Holding panel |
| 8 Hex. socket bolt | 22 Valve holder | 37 Oil level glass |
| 9 Rubber insert (4x) | 23 Stroke restrictor | 38 Contoured seal |
| 10 Oil or gas ballast pipe | 24 Compression spring | 39 Seal for the oil box |
| 11 Spring clip | 25 Sealing element | 40 Oil box |
| 12 End plate | 26 Valve bracket | 41 Sealing ring |
| 13 Holding frame for internal demister | 27 Bypass valve | 42 Oil drain plug |
| 14 Internal demister | 28 Forevacuum pot | |
| | 29 Compression spring | |

● - Parts included in the complete kit

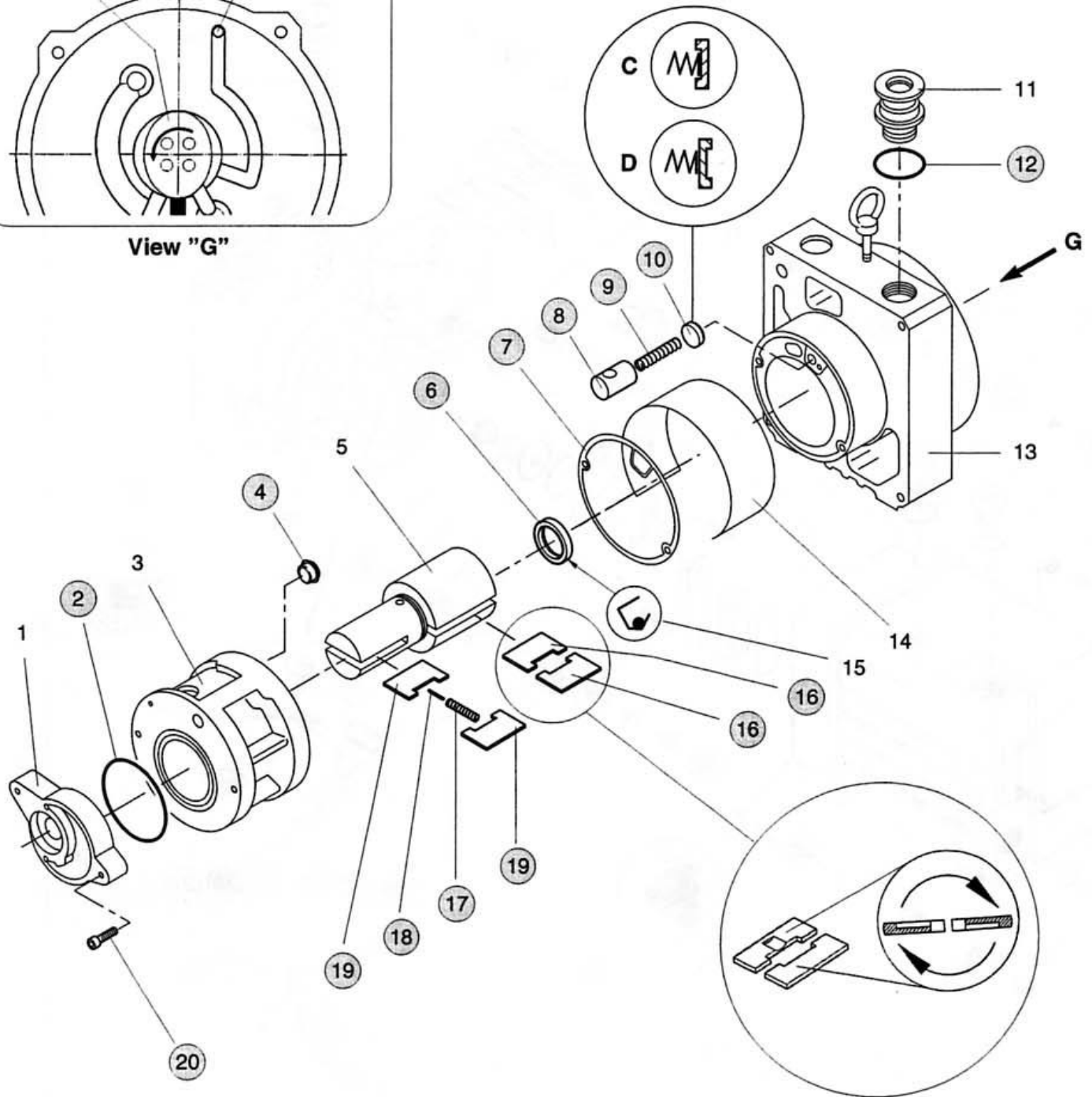
Enlarged views

- A** - Position of the bypass valve
B - Seal for the oil box
C - Components of the valves

**LEYBOLD D5E & D10E
 Pump Assembly**



View "G"



Enlarged view F
Position of the HV vanes

Key to Fig. 3

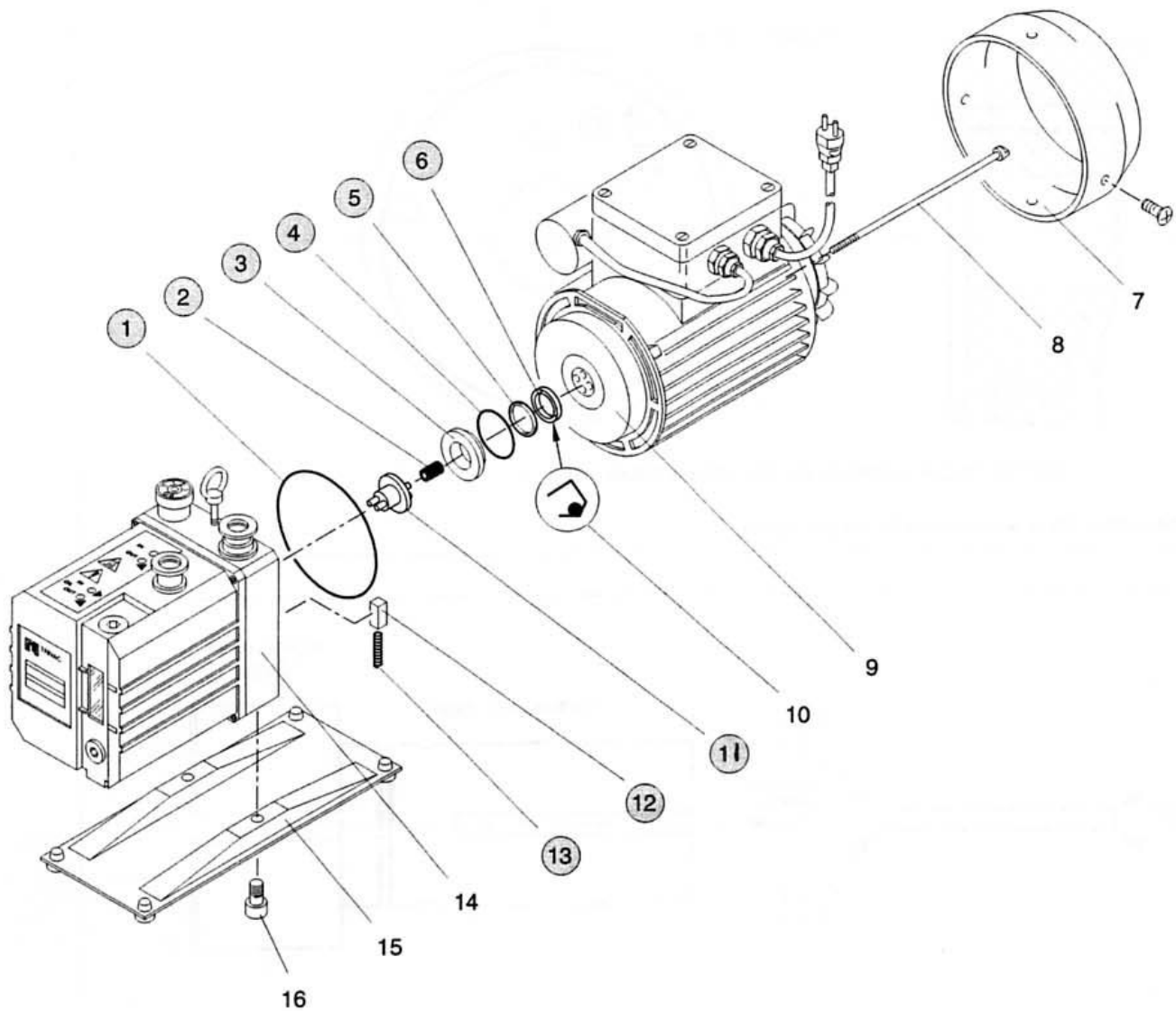
- | | |
|----------------------|--------------------------------|
| 1 End plate | 12 O-ring |
| 2 O-ring | 13 High vacuum bearing piece |
| 3 Forevacuum pot | 14 Oil guiding panel |
| 4 Sealing nipple | 15 Position/shaft sealing ring |
| 5 Rotor | 16 Vane (HV) |
| 6 Shaft sealing ring | 17 Compression spring |
| 7 Flat seal | 18 Guide pin |
| 8 Tandem valve | 19 Vane (FV) |
| 9 Compression spring | 20 Hex. socket bolt |
| 10 Spacer | |
| 11 Intake port | |

Enlarged views

- C - without gas ballast
D - with gas ballast

● - Parts included in the complete kit

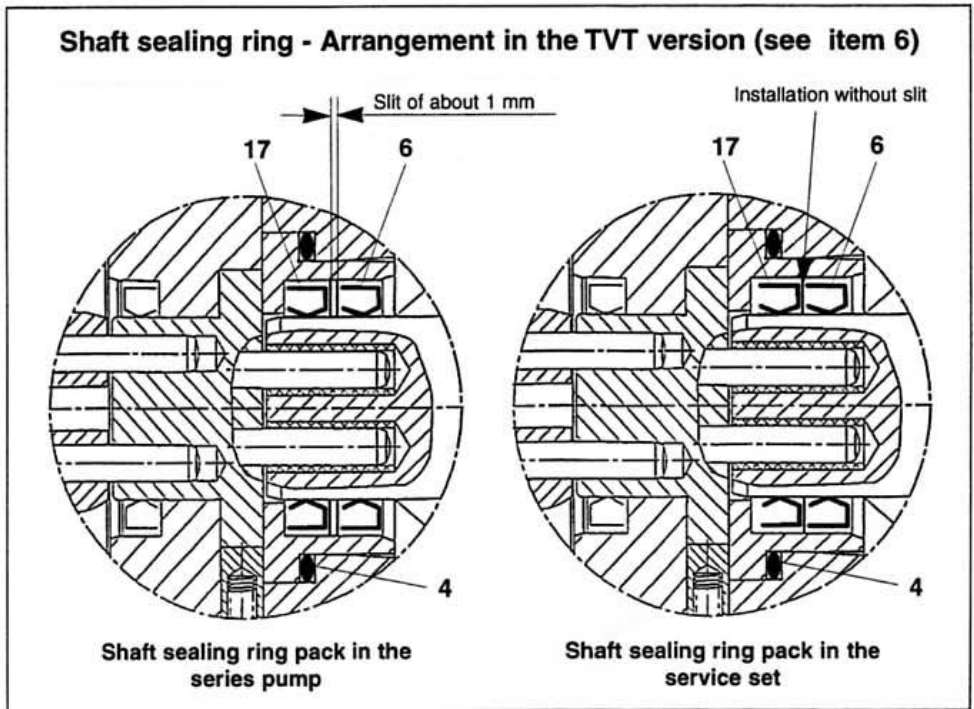
**LEYBOLD D5E & D10E
Module Assembly**



Key to Fig. 1

- 1 O-ring
- 2 Coupling sleeve
- 3 Shaft sealing ring sleeve
- 4 O-ring
- 5 Spacing disk
- 6 Shaft sealing ring
- 7 Fan cowl
- 8 Tie rods (4x)
- 9 A-bearing plate
- 10 Position of the shaft sealing ring
- 11 Oil pump
- 12 Stopper
- 13 Compression spring
- 14 High vacuum bearing plate
- 15 Pump's base
- 16 Hex. socket bolt
- 17 Shaft sealing ring without spring (only TVT version)

● - Parts included in the complete kit



**LEYBOLD D5E & D10E
Motor Seal Assembly**