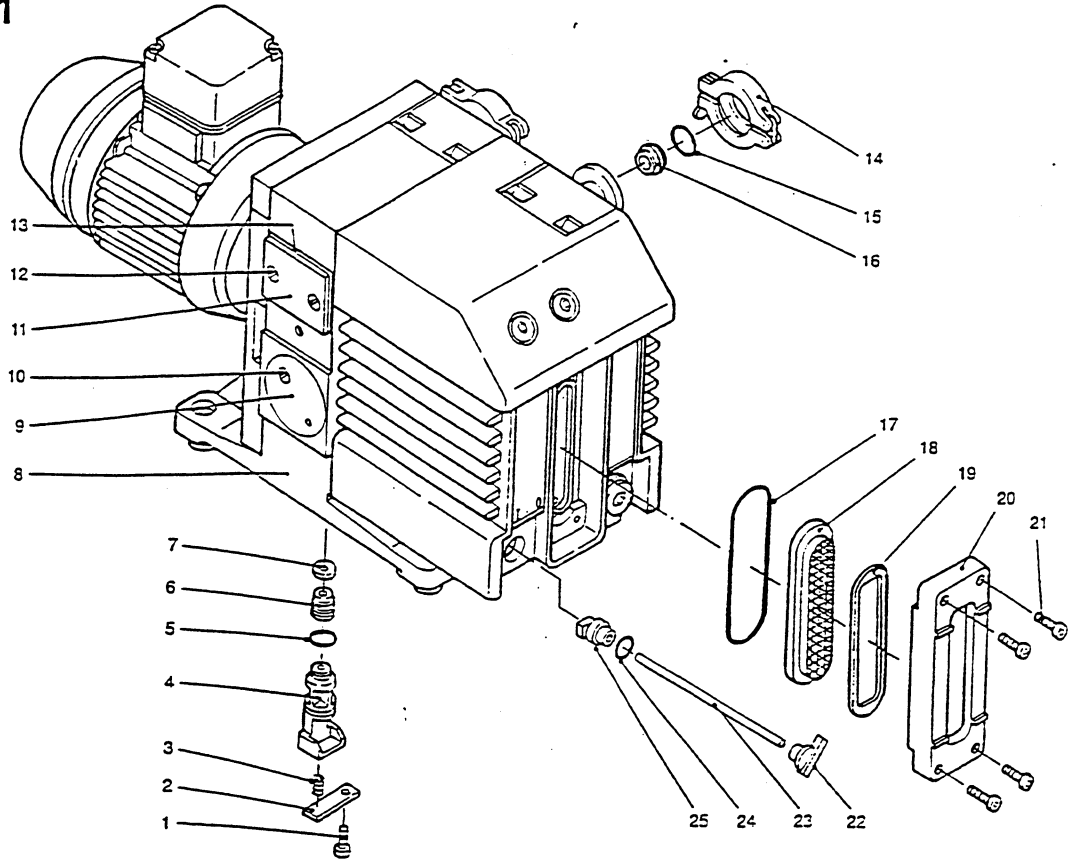
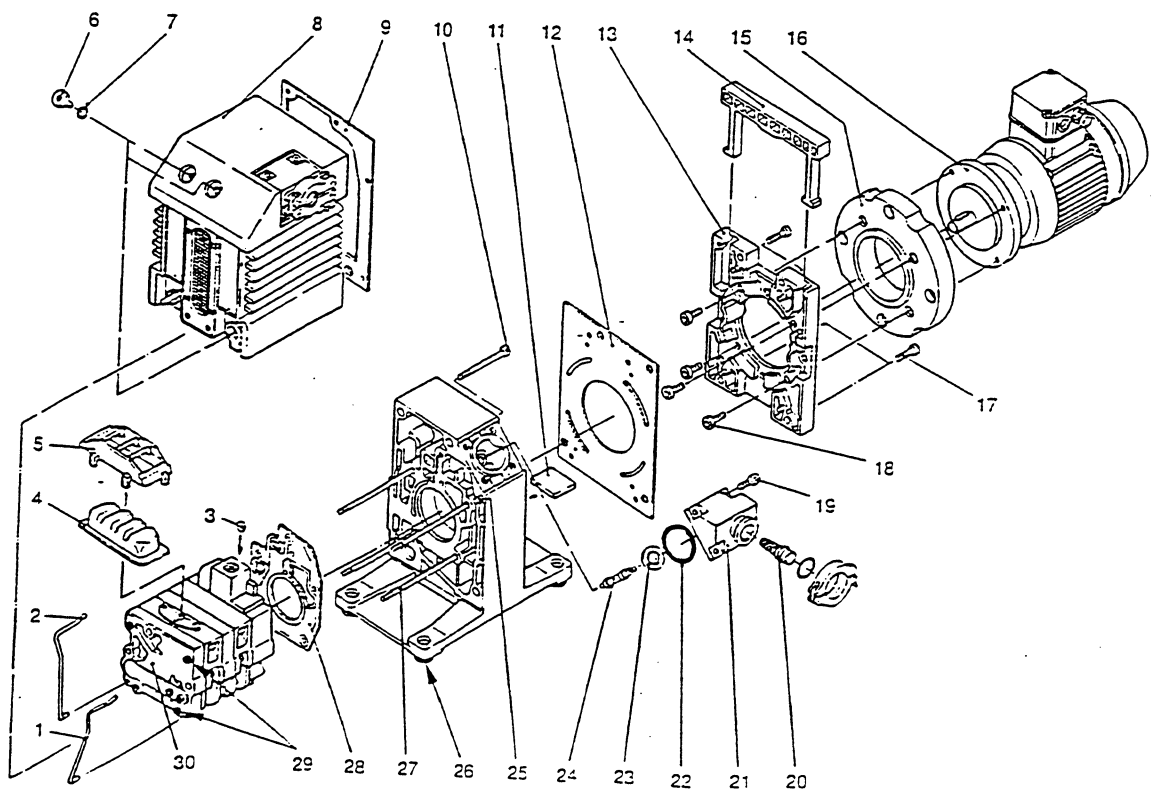


**D4/8B & S4/8B  
Exploded View  
Figs. 1 & 2**

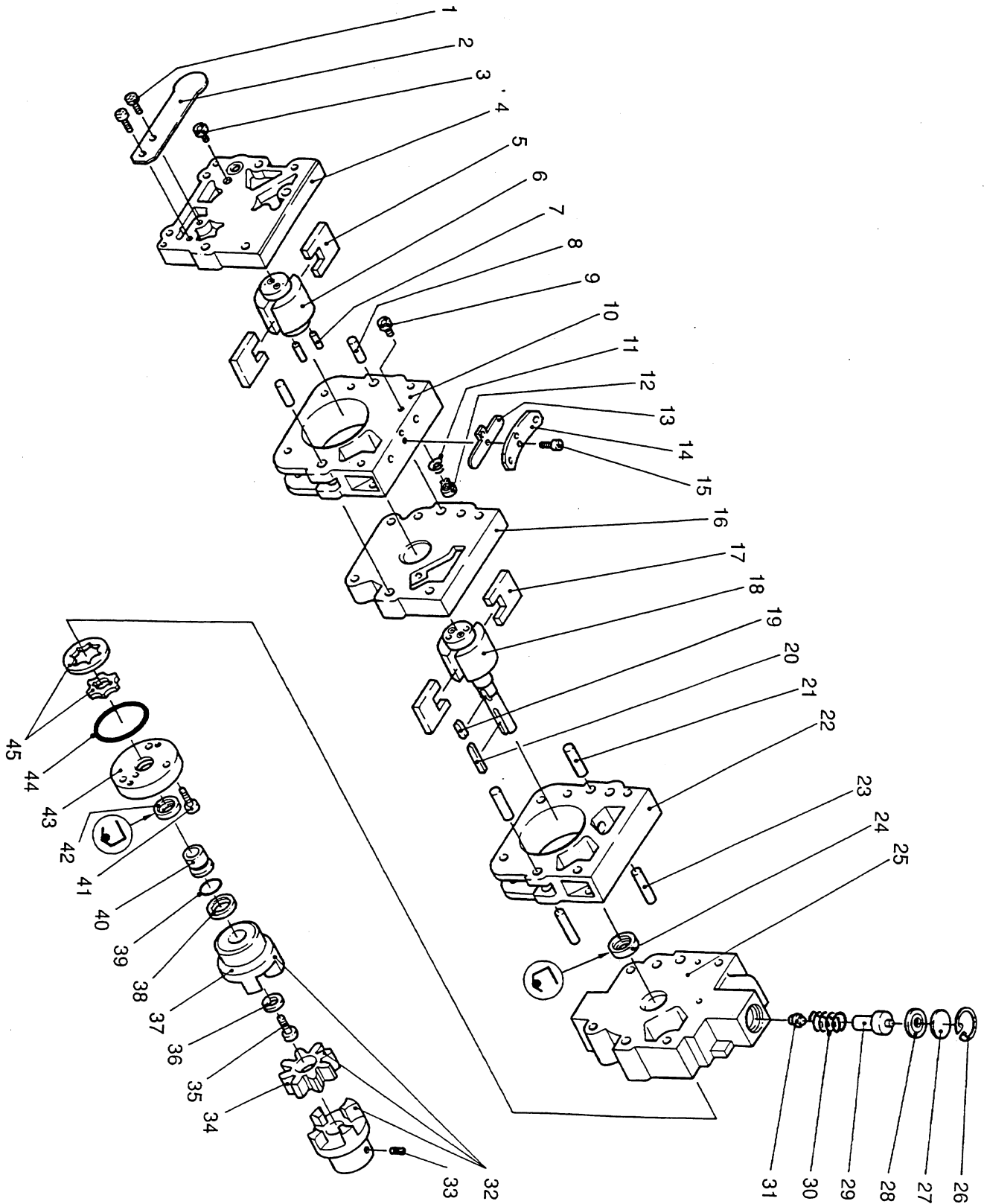
**Fig. 1**



**Fig. 2**



**D4/8B & S4/8B**  
Exploded View  
Fig. 3



LEYBOLD D4/8B & S4/8B

pos.	S D S D				DESCRIPTION	Leybold P/N	CV Order No.	Seal Kit	Repair Kit	Repair Kit +VANES
	4	4	8	8						
3.30	1	1	1	1	SPRING, OIL FLOW	221 61 040	L0089		X	X
1.03	1	1	1	1	SPRING	221 61 041	L0204		X	X
1.05	1	1	1	1	O-RING, VITON	239 70 147	OV0770	X	X	X
1.06	1	1	1	1	PISTON SEAL, VITON	348 61 029	L0087	X	X	X
1.13	1	1	1	1	CFS COVER GASKET	239 73 043	L0073	X	X	X
1.15	2	2	2	2	O-RING, VITON	239 70 176	OV2130	X	X	X
1.17	1	1	1	1	O-RING, VITON	239 70 509	OV2200	X	X	X
1.18	1	1	1	1	OIL SIGHT GLASS	350 01 179	L0067			
1.19	1	1	1	1	SIGHT GLASS GASKET	239 73 057	L0068	X	X	X
1.24	1	1	1	1	O-RING, VITON	239 70 108	OV0120	X	X	X
2.04	1	1			INTERNAL DEMISTER	390 26 010	L0050	X	X	X
2.04			1	1	INTERNAL DEMISTER	390 26 011	L0009	X	X	X
2.07	3	3	3	3	Gasket Ring	239 55 165	L0074V	X	X	X
2.09	1	1	1	1	GASKET	239 73 047	L0120	X	X	X
2.12	1	1	1	1	GASKET	239 73 034	L0121	X	X	X
2.22	2	2	2	2	O-RING VITON	239 70 163	OV0430	X	X	X
2.23	1	1	1	1	VALVE DISC, VITON	401 59 003	L0151	X	X	X
2.28	1	1	1	1	GASKET	239 73 037	L0123	X	X	X
3.02	1	1	1	1	OVERPRESSURE VALVE	401 75 123	L0048		X	X
3.03	1				OIL NOZZLE	200 09 243	L0198		X	X
3.03		1		1	OIL NOZZLE	200 09 244	L0199		X	X
3.03			1		OIL NOZZLE	393 50 006	L0200		X	X
3.05	2	2		2	VANE	200 10 654	L0167			X
3.05			2		VANE	200 10 658	L0168			X
3.09	1			1	GD NOZZLE	393 50 013	L0201		X	X
3.09		1	1		GD NOZZLE	393 50 019	L0191		X	X
3.11	1	1	1	1	SPRING, NON RETURN	221 61 031	L0160		X	X
3.12	1	1	1	1	Nonreturn VALVE, VITON	348 61 028	L0086	X	X	X
3.13	1	1		1	EXHAUST VALVE, S.S.	401 75 014	L0189		X	X
3.13			1		EXHAUST VALVE, S.S.	401 75 015	L0202		X	X
3.17				2	VANE	411 55 237	L0168			X
3.17		2			VANE	411 55 240	L0167			X
3.24	1	1	1	1	SHAFT SEAL VITON	239 53 006	SV0040	X	X	X
3.28	1	1	1	1	OIL FLOW GASKET	239 73 044	L0075	X	X	X
3.31	1	1	1	1	OIL FLOW SEAL, VITON	239 73 146	L0088	X	X	X
3.34	1	1	1	1	COUPLING ELEMENT	200 09 094	CUP0066	X	X	X
3.39	1	1	1	1	O-RING VITON	239 70 108	OV0120	X	X	X
3.40	1	1	1	1	SHAFT SEAL SLEEVE	200 09 111	L0187	X	X	X
3.42	1	1	1	1	SHAFT SEAL VITON	239 53 006	SV0040	X	X	X
3.44	1	1	1	1	O-RING VITON	239 70 015	OV0150	X	X	X

\*NOTE: CV Leybold kits include a stainless steel exhaust valve plate which makes our kits suitable for corrosive or standard applications  
 - All rubber items are supplied in Viton, Buna is available upon request.  
 - Case gaskets are of asbestos-free material with silicon beading