

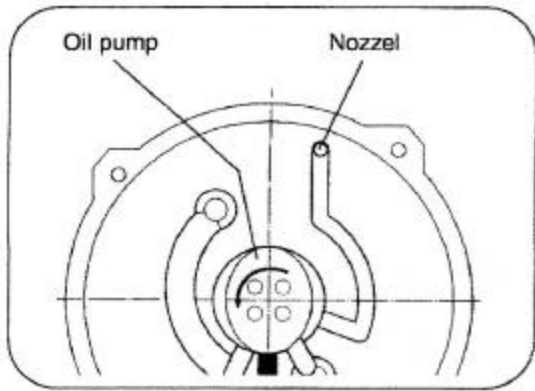
Key to Fig. 2

- | | | |
|----------------------------|------------------------------|--------------------------|
| 1 Hex. socket bolt | 14 Internal demister | 29 Compression spring |
| 2 Washer | 15 High vacuum bearing plate | 30 Non-return valve |
| 3 Sealing ring | 16 Hex. socket bolt | 31 Gas ballast - orifice |
| 4 Oil-fill plug | 17 Flat seal | 32 O-ring |
| 5 Sealing ring | 18 Gas ballast valve - cap | 33 Diaphragm valve |
| 6 Exhaust port | 19 Gas ballast valve | 34 Cylinder head bolt |
| 7 Guide panel | 20 Flat seal | 35 Washer |
| 7* Sealing strip | 21 Hex. socket bolt | 36 Holding panel |
| 8 Hex. socket bolt | 22 Valve holder | 37 Oil level glass |
| 9 Rubber insert (4x) | 23 Stroke restrictor | 38 Contoured seal |
| 10 Oil or gas ballast pipe | 24 Compression spring | 39 Seal for the oil box |
| 11 Spring clip | 25 Sealing element | 40 Oil box |
| 12 End plate | 26 Valve bracket | 41 Sealing ring |
| 13 | 27 Bypass valve | 42 Oil drain plug |

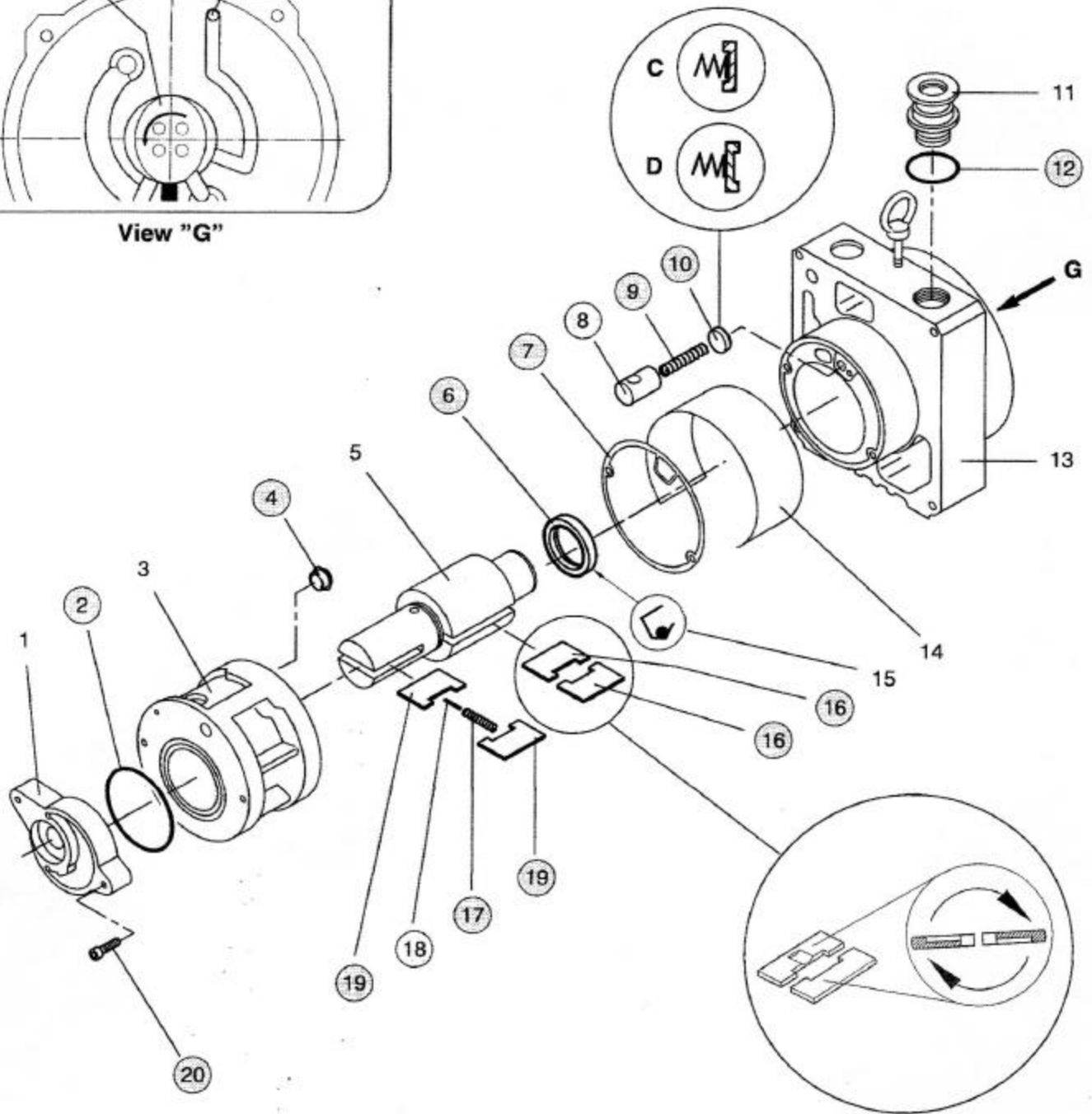
Enlarged views

- A** - Position of the bypass valve
B - Seal for the oil box
C - Components of the valves

**LEYBOLD D16E
 Pump Assembly**



View "G"



Enlarged view F
Position of the HV vanes

Key to Fig. 3

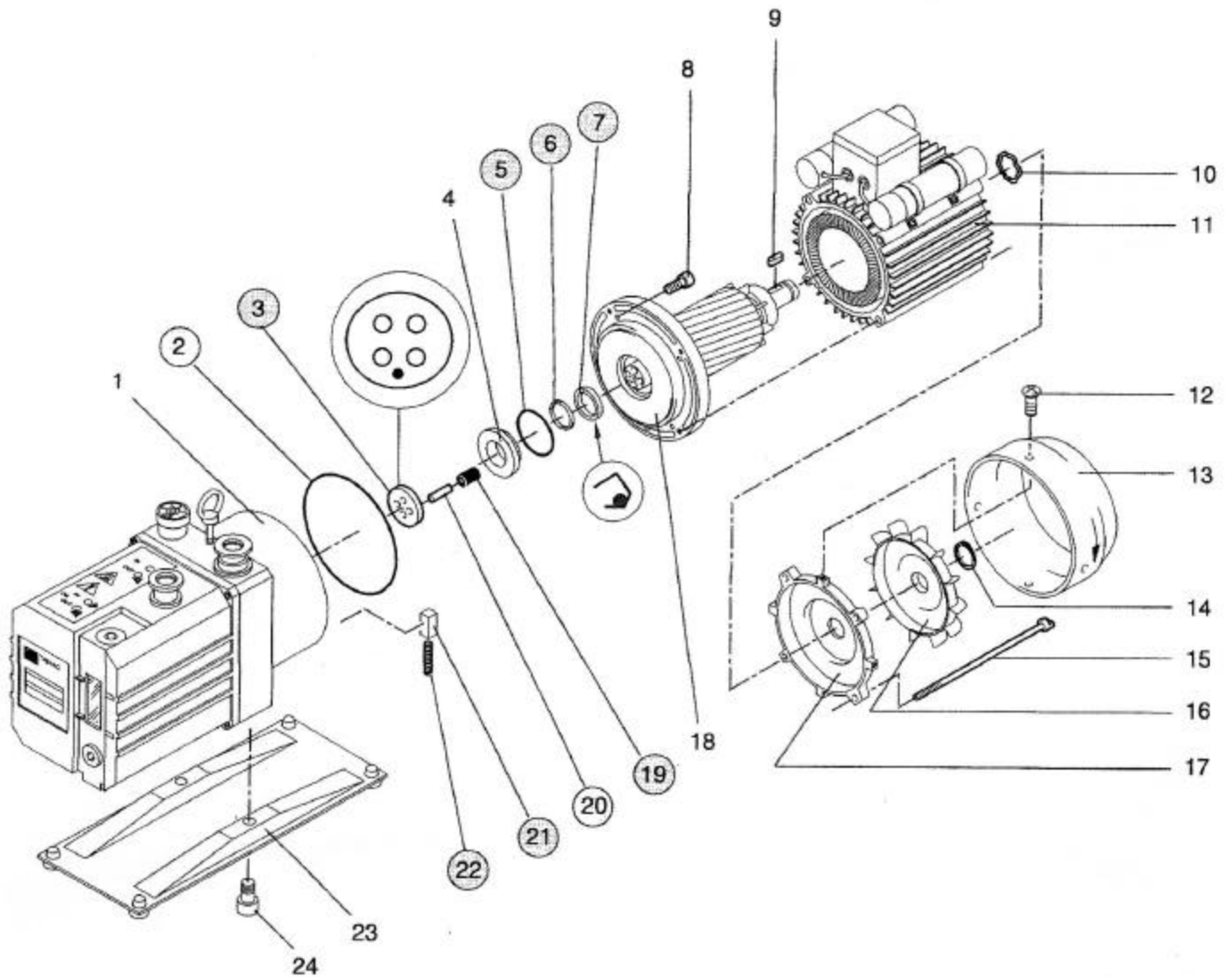
- | | |
|----------------------|--------------------------------|
| 1 End plate | 12 O-ring |
| 2 O-ring | 13 High vacuum bearing piece |
| 3 Forevacuum pot | 14 Oil guiding panel |
| 4 Sealing nipple | 15 Position/shaft sealing ring |
| 5 Rotor | 16 Vane (HV) |
| 6 Shaft sealing ring | 17 Compression spring |
| 7 Flat seal | 18 Guide pin |
| 8 Tandem valve | 19 Vane (FV) |
| 9 Compression spring | 20 Hex. socket bolt |
| 10 Spacer | |
| 11 Intake port | |

Enlarged views

- C - without gas ballast
D - with gas ballast

⊙ - Parts included in the complete kit

**LEYBOLD D16E
Module Assembly**



Key to Fig. 1

- | | |
|------------------------------|-------------------------------------|
| 1 HV bearing piece | 14 Securing ring |
| 2 O-ring | 15 Tie rods (4x) |
| 3 Oil pump | 16 Fan wheel |
| 4 Bushing for the shaft seal | 17 B-bearing plate |
| 5 O-ring | 18 A-bearing plate with motor rotor |
| 6 Spacer | 19 Coupling bushings (4x) |
| 7 Shaft seal | 20 Coupling pins (4x) |
| 8 Hex. socket bolts (4x) | 21 Stopper |
| 9 Key | 22 Compression spring |
| 10 Spring disk | 23 Base |
| 11 Motor stator | 24 Hex. socket bolts (4x) |
| 12 Bolts/fan cowl (4x) | |
| 13 Fan cowl | |

⊙ - parts included in the repair kit

**LEYBOLD D16E
Motor Seal Assembly**