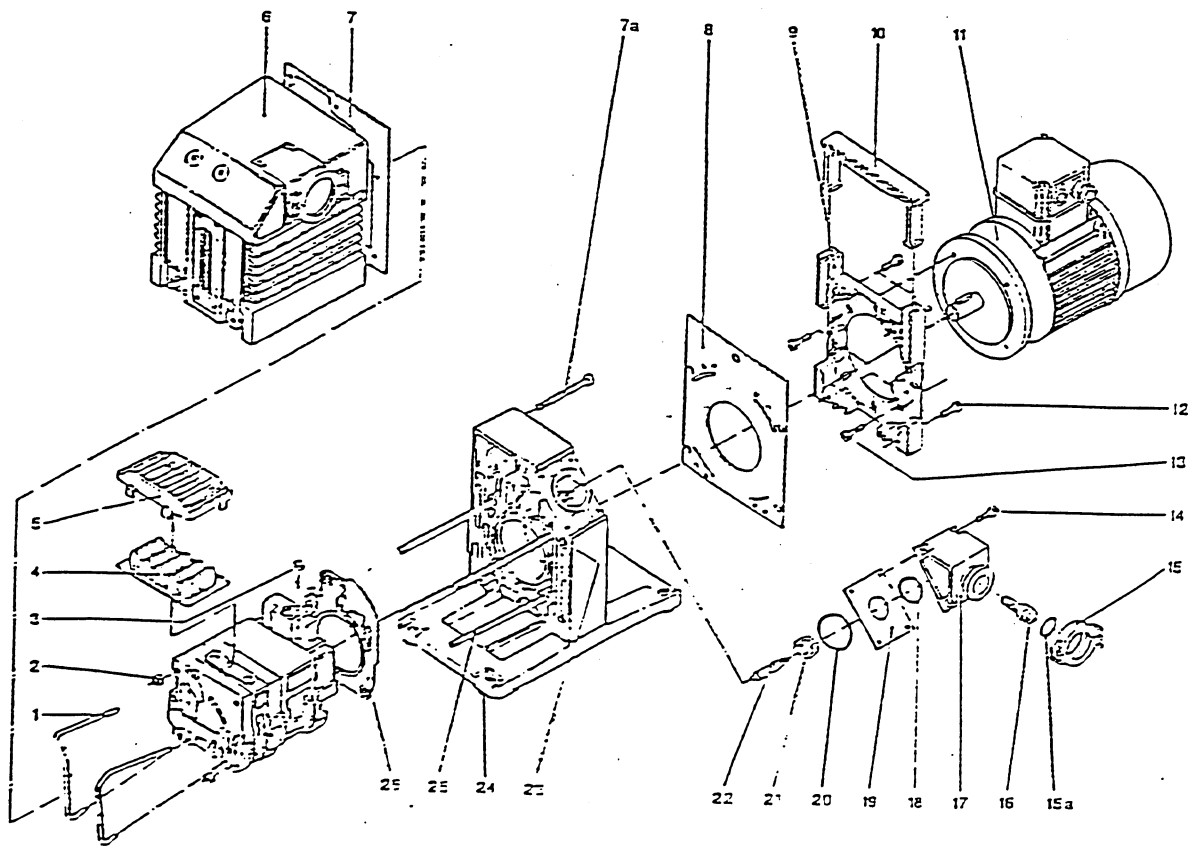
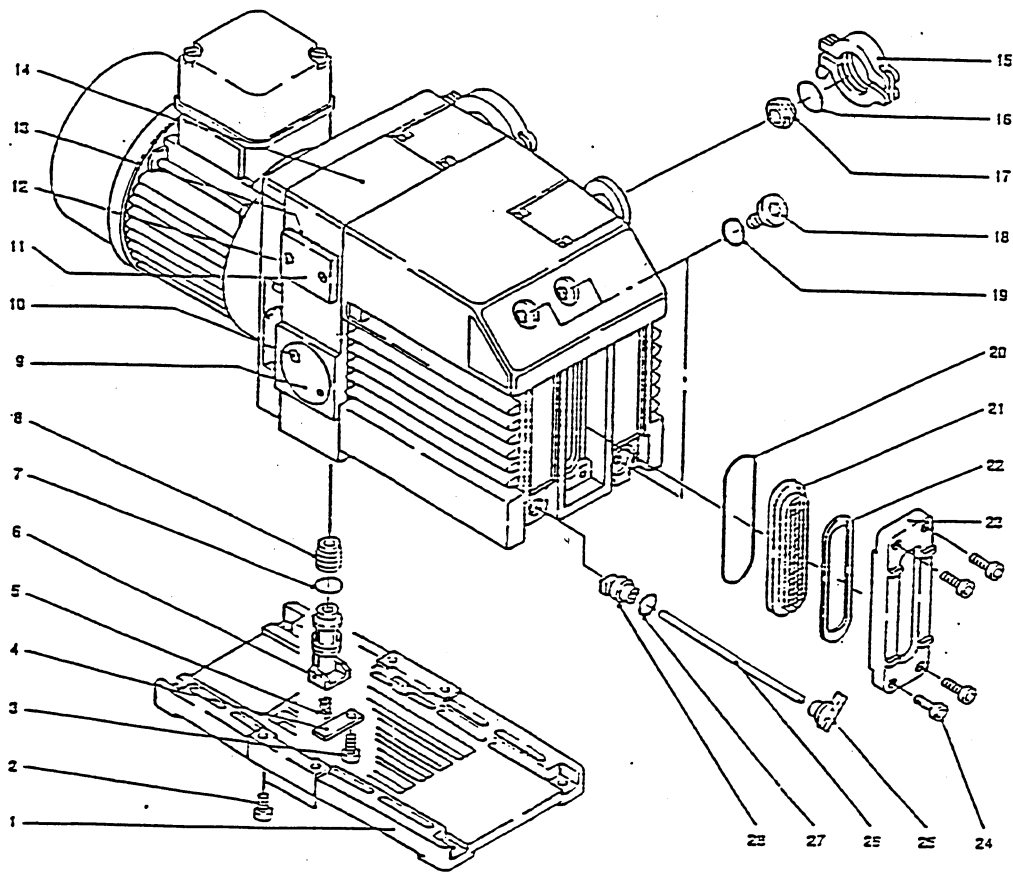
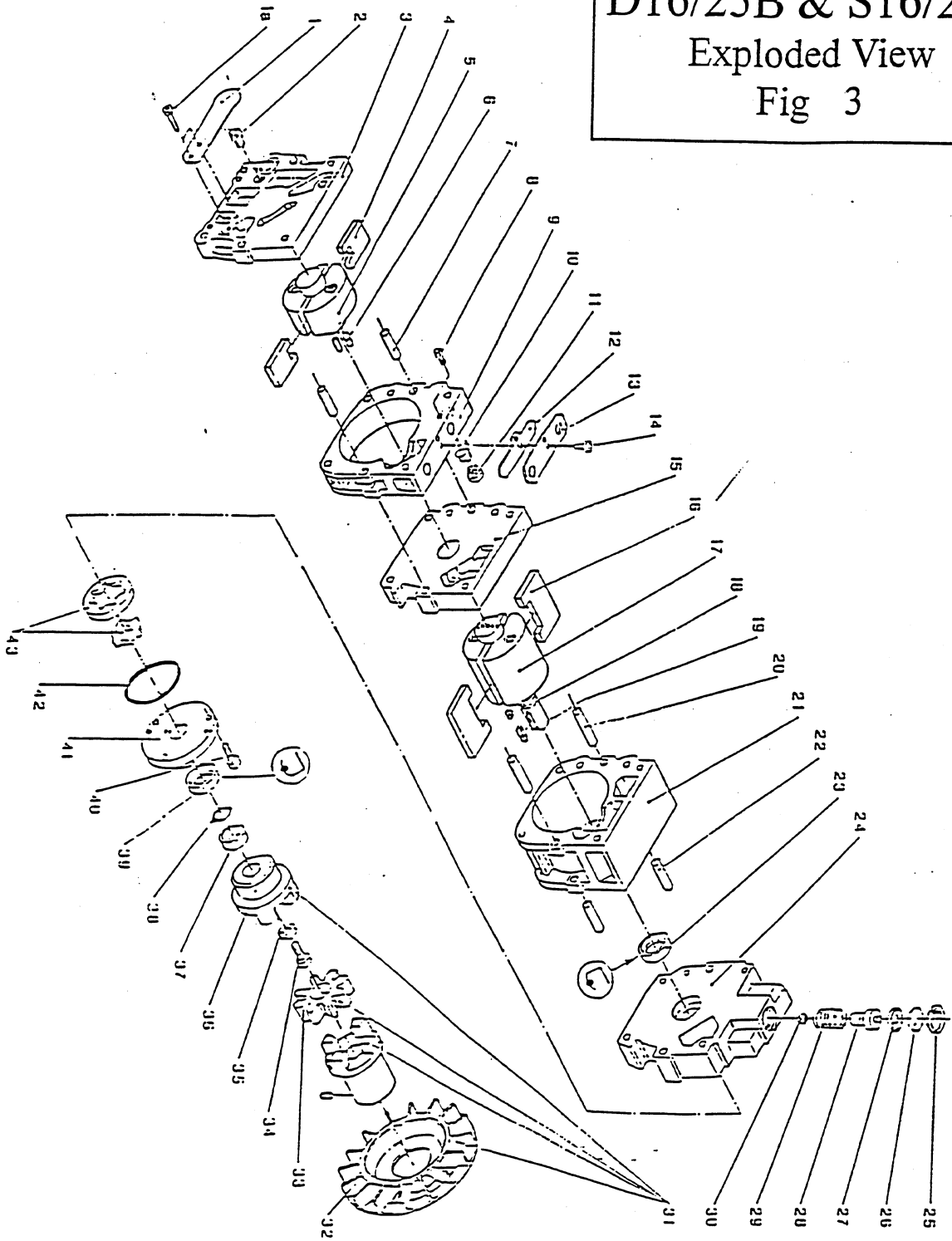


D16/25B & S16/25B
 Exploded View
 Figs. 1 & 2



D16/25B & S16/25B
Exploded View
Fig 3



LEYBOLD D16/25B & S16/25B

pos.	D S D S				OEM Part No.	CV Order Number	Seal Kit	Repair Kit	Rep. Kit + vanes	
	16B	16B	25B	25B						
1.04	1	1	1	1	SPRING	221 61 041	L0204		X	X
1.07	1	1	1	1	O-RING, VITON	239 70 147	OV-0770	X	X	X
1.08	1	1	1	1	PISTON SEAL, VITON	348 61 029	L0087	X	X	X
1.13	1	1	1	1	CFS COVER GASKET	200 10 732	L0073	X	X	X
1.16	1	1	1	1	O-RING, VITON	239 70 506	OV-2150	X	X	X
1.19	3	3	3	3	PLUG GASKET	239 55 165	L0074V	X	X	X
1.20	1	1	1	1	O-RING, VITON	239 70 509	OV-2200	X	X	X
1.21	1	1	1	1	OIL SIGHT GLASS	350 01 179	L0067			
1.22	1	1	1	1	SIGHT GLASS GASKET	200 12 257	L0068	X	X	X
1.27	1	1	1	1	O-RING VITON	239 70 108	OV-0120	X	X	X
2.04	1	1			INTERNAL DEMISTER	390 26 012	L0030	X	X	X
2.04			1	1	INTERNAL DEMISTER	390 26 013	L0070	X	X	X
2.07	1	1	1	1	OIL CASE GASKET	200 10 737	L0026	X	X	X
2.08	1	1	1	1	MOTOR GASKET	200 10 738	L0024	X	X	X
2.15a	1	1	1	1	O-RING, VITON	239 70 506	OV-2150	X	X	X
2.18	2	2	2	2	O-RING, VITON	239 70 304	OV-1390	X	X	X
2.20	2	2	2	2	O-RING, VITON	239 70 261	OV-1420	X	X	X
2.21	1	1	1	1	VALVE DISC, VITON	401 59 004	L0158	X	X	X
2.26	1	1	1	1	MODULE GASKET	200 10 736	L0025	X	X	X
3.01	1	1	1	1	OVERPRESSURE FLAP, S.S.	401 75 023	L0048		X	X
3.02	1				OIL NOZZLE	200 09 057	L0192		X	X
3.02			1	1	OIL NOZZLE	393 50 008	L0193		X	X
3.04	2				VANE, LV	411 55 235	L0114			X
3.04			2		VANE, LV	411 55 238	L0082			X
3.08				1	SILENCE NOZZLE	393 50 010	L0116		X	X
3.08	1	1	1		SILENCE NOZZLE	393 50 015	L0190		X	X
3.10	1	1	1	1	SPRING, NON-RET VALVE	221 61 031	L0160		X	X
3.11	1	1	1	1	NONRETURN VALVE, VITON	348 61 028	L0086	X	X	X
3.12	1				EXHAUST VALVE, S.S.	401 75 017	L0042		X	X
3.12		1	1	1	EXHAUST VALVE, S.S.	401 75 019	L0046		X	X
3.16	2	2			VANE, HV	411 55 238	L0082			X
3.16			2	2	VANE, HV	411 55 241	L0081			X
3.23	1	1	1	1	SHAFT SEAL VITON	239 53 004	SV0006	X	X	X
3.27	1	1	1	1	OIL FLOW GASKET	200 10 734	L0075	X	X	X
3.29	1	1	1	1	SPRING, OIL FLOW	221 61 040	L0089		X	X
3.30	1	1	1	1	OIL FLOW SEAL, VITON	239 73 146	L0088	X	X	X
3.33	1	1	1	1	COUPLING ELEMENT	200 09 094	CUP0066	X	X	X
3.37	1	1	1	1	SHAFT SEAL SLEEVE	231 92 026	L0154		X	X
3.38	1	1	1	1	O-RING, VITON	239 70 108	OV0120	X	X	X
3.39	1	1	1	1	SHAFT SEAL VITON	239 53 004	SV0006	X	X	X
3.42	1	1	1	1	O-RING, VITON	239 70 006	OV-0470	X	X	X
3.02		1			OIL NOZZLE	393 50 005	L0111		X	X