

Key to Fig. 2

- 1 Hex. socket bolt
- 2 Washer
- 3 Sealing ring
- 4 Oil-fill plug
- 5 Sealing ring
- 6 Exhaust port
- 7 Guide panel
- 8 Hex. socket bolt
- 9 Rubber insert (4x)
- 10 Oil or gas ballast pipe
- 11 Spring clip
- 12 End plate
- 13 Holding frame for internal demister
- 14 Internal demister

- 15 High vacuum bearing plate
- 16 Hex. socket bolt
- 17 Flat seal
- 18 Gas ballast valve - cap
- 19 Gas ballast valve
- 20 Flat seal
- 21 Hex. socket bolt
- 22 Valve holder
- 23 Stroke restrictor
- 24 Compression spring
- 25 Sealing element
- 26 Valve bracket
- 27 Bypass valve
- 28 Foravacuum pot
- 29 Compression spring

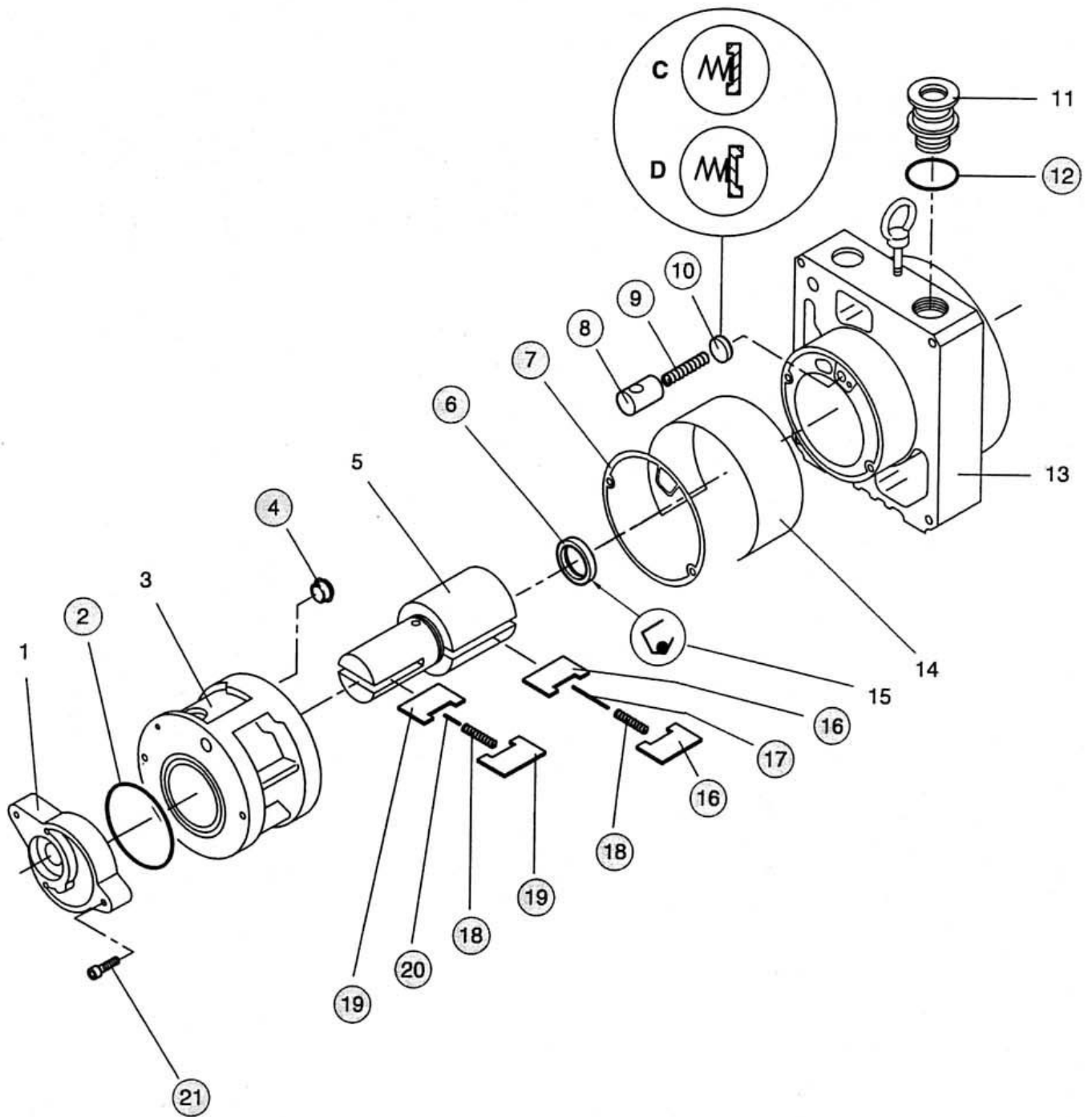
- 30 Non-return valve
- 31 Gas ballast - orifice
- 32 O-ring
- 33 Diaphragm valve
- 34 Cylinder head bolt
- 35 Washer
- 36 Holding panel
- 37 Oil level glass
- 38 Contoured seal
- 39 Seal for the oil box
- 40 Oil box
- 41 Sealing ring
- 42 Oil drain plug

Enlarged views

- A - Position of the bypass valve
- B - Seal for the oil box
- C - Components of the valves

○ - Parts included in the complete kit for the D 2.5 E
(the parts for the gas ballast are not included in the kit for the D 1.2 E)

**LEYBOLD D1.2E & 2.5E
Pump Assembly**



Key to Fig. 3

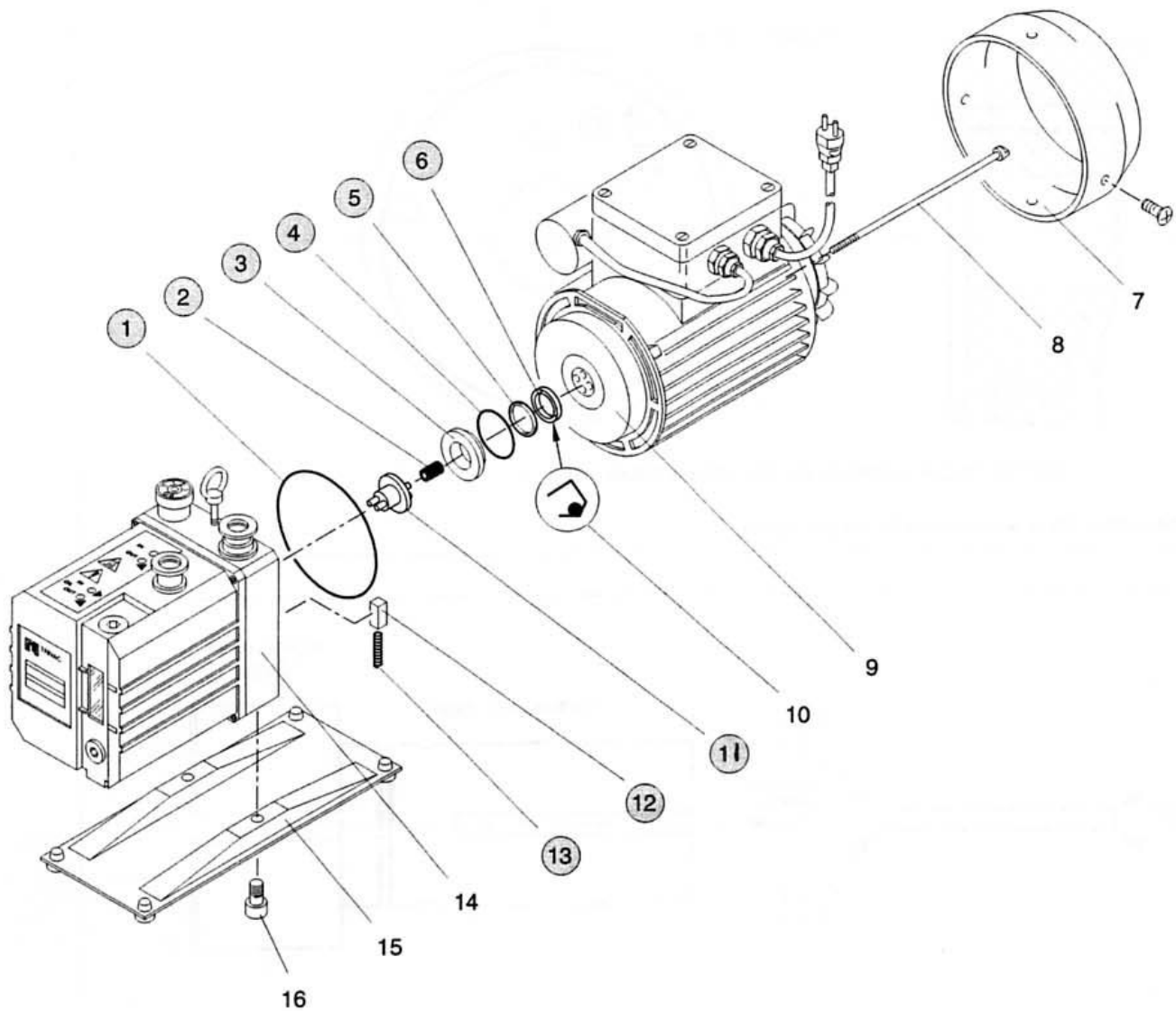
- | | |
|----------------------|--------------------------------|
| 1 End plate | 12 O-ring |
| 2 O-ring | 13 High vacuum bearing piece |
| 3 Forevacuum pot | 14 Oil guiding panel |
| 4 Sealing nipple | 15 Position/shaft sealing ring |
| 5 Rotor | 16 Vane (HV) |
| 6 Shaft sealing ring | 17 Guide pin |
| 7 Flat seal | 18 Compression spring |
| 8 Tandem valve | 19 Vane (FV) |
| 9 Compression spring | 20 Guide pin |
| 10 Spacer | 21 Hex. socket bolt |
| 11 Intake port | |

Enlarged views

- C - without gas ballast
 D - with gas ballast

○ - Parts included in the complete kit

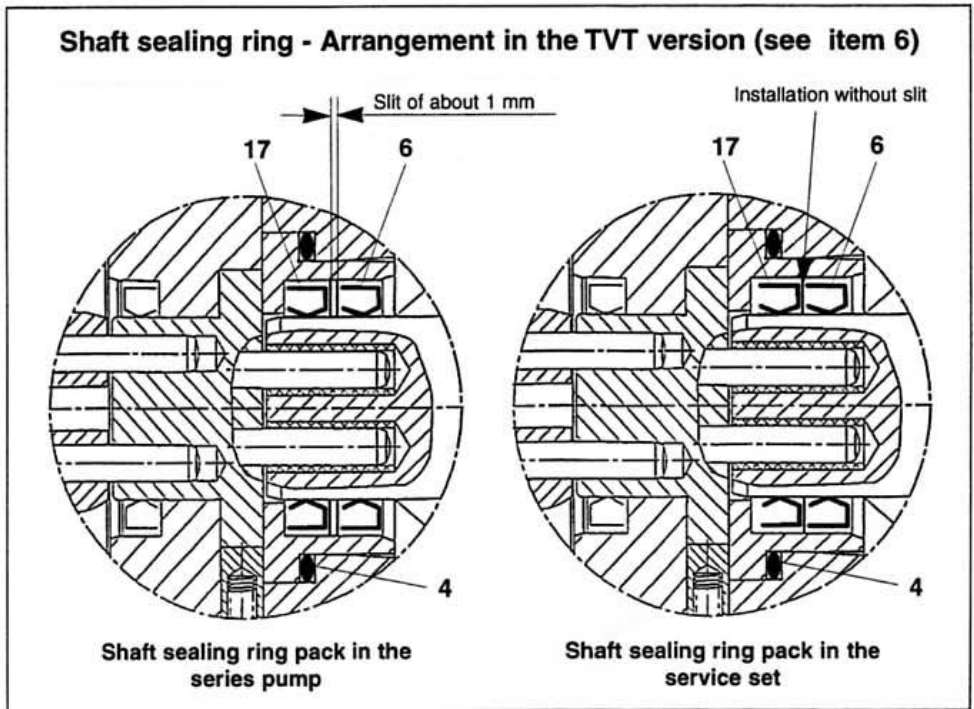
**LEYBOLD D1.2E & D2.5E
 Module Assembly**



Key to Fig. 1

- 1 O-ring
- 2 Coupling sleeve
- 3 Shaft sealing ring sleeve
- 4 O-ring
- 5 Spacing disk
- 6 Shaft sealing ring
- 7 Fan cowl
- 8 Tie rods (4x)
- 9 A-bearing plate
- 10 Position of the shaft sealing ring
- 11 Oil pump
- 12 Stopper
- 13 Compression spring
- 14 High vacuum bearing plate
- 15 Pump's base
- 16 Hex. socket bolt
- 17 Shaft sealing ring without spring (only TVT version)

● - Parts included in the complete kit



**LEYBOLD D5E & D10E
Motor Seal Assembly**