



TCP 350, drive electronics

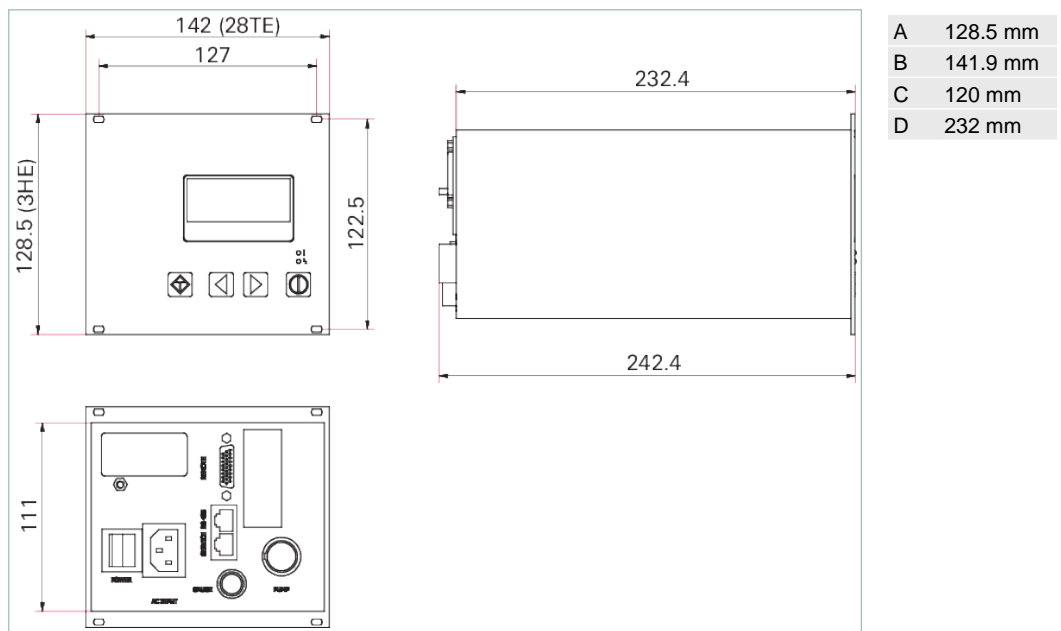


Similar Image

TCP 350, drive electronics

- Drive electronics including power supply and Display Control Unit
- The TCP 350 drive electronics unit is employed for driving and monitoring the HiPace 80, 300, 400, 700 und 800
- Pfeiffer Vacuum ActiveLine gauge connection (except hot cathode)
- Interface RS-485
- Mating plug for "Remote" connector included in scope of delivery

Dimensions



Technical Data	TCP 350, drive electronics
Ambient temperature	5-40 °C 41-104 °F 278-313 K
Cable length Turbo-TCP max.	110 m
Frequency	50/60 Hz
I/O interfaces	RS-485
Mains requirement: power consumption	420 VA
Mains requirement: voltage (range)	95–265 V AC
Power consumption max.	420 VA
Power supply	TCP 350
Protection category	IP20
Weight	2.8 kg 6.17 lb
Order number	
TCP 350	PM C01 740

Accessories	
Adapters (electrical) Adapters and control cables	
Adapter cable, TCP 350 - backing pump relay box, M8	PM 061 376 -T
Adapter cable, TCP 350 - backing pump relay box, M12	PM 061 377 -T
Cables Connection cables	
Connection cable from TCP 350 to HiPace with 2 accessory ports M8, 3 m	PM 061 353 -T
Connection cable from TCP 350 to HiPace with 2 accessory ports M12, 3 m	PM 061 356 -T
Cables Mains cables / Power cords	
Mains cable 230 V AC, CEE 7/7 to C13, 3 m	P 4564 309 ZA
Mains cable 115 V AC, NEMA 5-15 to C13, 3 m	P 4564 309 ZE
Mains cable 208 V AC, NEMA 6-15 to C13, 3 m	P 4564 309 ZF

VACUUM SOLUTIONS FROM A SINGLE SOURCE

Pfeiffer Vacuum stands for innovative and custom vacuum solutions worldwide, technological perfection, competent advice and reliable service.

COMPLETE RANGE OF PRODUCTS

From a single component to complex systems:

We are the only supplier of vacuum technology that provides a complete product portfolio.

COMPETENCE IN THEORY AND PRACTICE

Benefit from our know-how and our portfolio of training opportunities!

We support you with your plant layout and provide first-class on-site service worldwide.

Are you looking for a
perfect vacuum solution?
Please contact us:

Pfeiffer Vacuum GmbH
Headquarters · Germany
T +49 6441 802-0
info@pfeiffer-vacuum.de

www.pfeiffer-vacuum.com

All data subject to change without prior notice.

PFEIFFER  **VACUUM**