



# MPT 200 AR, DN 25 ISO-KF, RS-485, analog

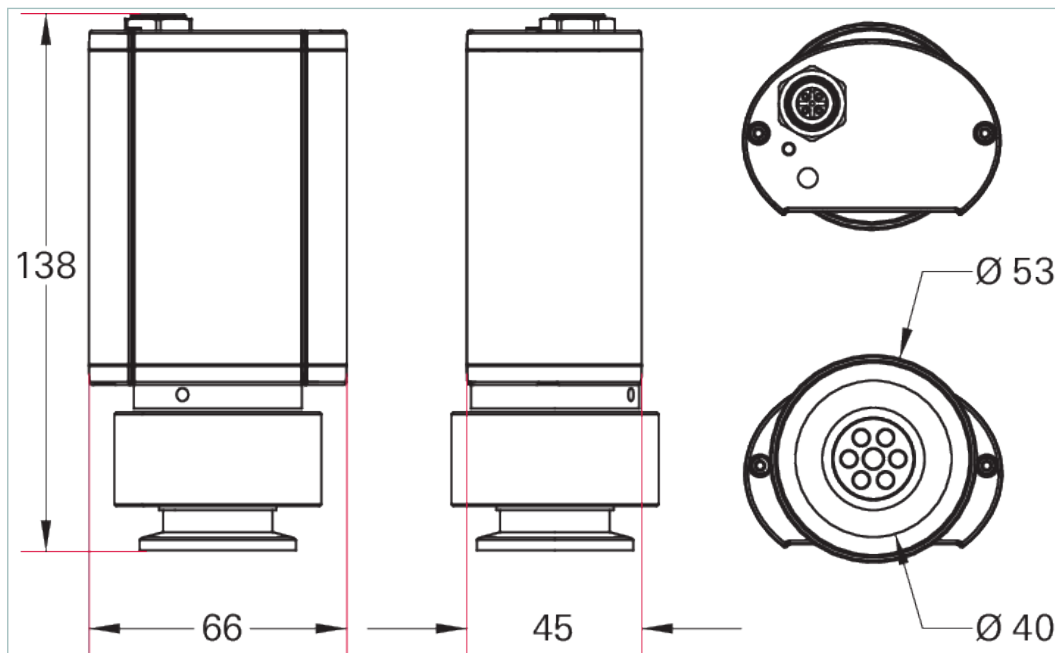


Similar Image

## MPT 200 AR, DN 25 ISO-KF, RS-485, analog

- Customizable to vacuum application
- Analog output and set points

### Dimensions



Technical Data	MPT 200 AR, DN 25 ISO-KF, RS-485, analog
Accuracy: $1 \cdot 10^{-8} - 2 \cdot 10^{-3}$ hPa	± 25 %
Accuracy: 100 – 1000 hPa	± 50 %
Accuracy: 10 – 100 hPa	± 30 %
Accuracy: $2 \cdot 10^{-3} - 10$ hPa	± 10 %
Ambient temperature	5-60 °C   41-140 °F   278-333 K
Anode	Molybdenum
Bakeout temperature at the flange	180 °C   356 °F   453 K
Cold cathode sensor control	Cold Cathode sensor can be switched on and of f via interface
Feature	Cold Cathode sensor can be switched on and of f via interface
I/O interfaces	RS-485, analog 0-10 V
Materials in contact with media	Tungsten, stainless steel, nickel, molybdenum, glass
Measurement range	$5 \cdot 10^{-9} - 1 \cdot 10^3$ hPa
Measuring cycle	10 ms
Method of measurement	Pirani/Cold Cathode
Nominal diameter	DN 25 ISO-KF
Protection category	IP54
Repeatability: $1 \cdot 10^{-2} - 10$ hPa	± 2 %
Repeatability: $1 \cdot 10^{-8} - 1 \cdot 10^{-2}$ hPa	± 7 %
Seal	Metal
Sensor cable length min.	100 m
Supply: power consumption	3.7 W
Supply: Power consumption max.	3.7 W
Temperature: Storage	-40-65 °C   -40-149 °F   233-338 K

<b>Technical Data</b>	<b>MPT 200 AR, DN 25 ISO-KF, RS-485, analog</b>
Weight	555 g

<b>Order number</b>	
MPT 200 AR	PT R40 141

<b>Accessories</b>	
<b>Adapters (electrical) Adapter Cables</b>	
Connection cable, RS-485, M12/D-sub 9-pole, 3 m	PT 348 223 -T
<b>Adapters (electrical) Adapter Measurement</b>	
M12 m plug, 8-pole, with screw terminals DigiLine AR	PT 348 107 -T
Adapter RS-485, M12, 4-pole - D-sub bushing, 9-pole, 0.2 m	PT 348 133 -T
<b>Adapters (electrical) RS-232/485</b>	
Y-Connector M12 to RS-485	P 4723 010
USB converter to RS-485 interface	PM 061 207 -T
Coupling M12 for RS-485	PM 061 270 -X
Termination resistor for RS-485	PT 348 105 -T
M12 m Plug 4-Pole with Screw Terminals RS-485	PT 348 106 -T
Power separator for RS-485	PT 348 132 -T
<b>Cables Analog/relay cables</b>	
Measurement Cable DigiLine xPT 200 AR to TP G 2xx, 3 m	PT 348 250 -T
<b>Cables Connection cables</b>	
Supply Cable DigiLine, M12, 4-pole to TPS, 3 m	PT 348 163 -T
<b>Cables RS-485 Interface cables</b>	
Interface cable, M12 m straight/M12 m straight, 3 m	PM 061 283 -T
<b>Control Devices Gauge controllers</b>	
DPG 202, Controller and Display Unit for up to 2 Gauges	PT G12 020
<b>Control Devices Power supplies and control displays</b>	
TPS 110, power supply pack for wall/standard rail fitting	PM 061 340 -T
TPS 111, power supply pack 3HU 19" rack module	PM 061 344 -T
<b>Protection Inlet filters</b>	
Centering ring with protection filter, FPM/stainless steel, DN 25 ISO-KF	PF 117 225 -T
<b>Software Display &amp; Data logging</b>	
DokuStar Plus software, 16 channels	PT 882 501

## **VACUUM SOLUTIONS FROM A SINGLE SOURCE**

Pfeiffer Vacuum stands for innovative and custom vacuum solutions worldwide, technological perfection, competent advice and reliable service.

## **COMPLETE RANGE OF PRODUCTS**

From a single component to complex systems:

We are the only supplier of vacuum technology that provides a complete product portfolio.

## **COMPETENCE IN THEORY AND PRACTICE**

Benefit from our know-how and our portfolio of training opportunities!

We support you with your plant layout and provide first-class on-site service worldwide.

Are you looking for a  
perfect vacuum solution?  
Please contact us:

**Pfeiffer Vacuum GmbH**  
Headquarters · Germany  
T +49 6441 802-0  
info@pfeiffer-vacuum.de

[www.pfeiffer-vacuum.com](http://www.pfeiffer-vacuum.com)

All data subject to change without prior notice.

**PFEIFFER**  **VACUUM**