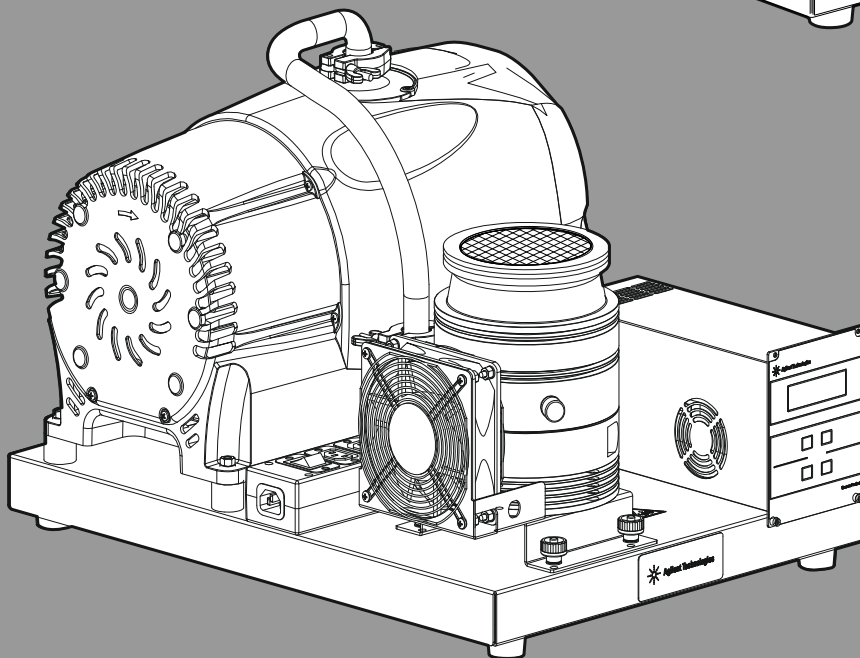
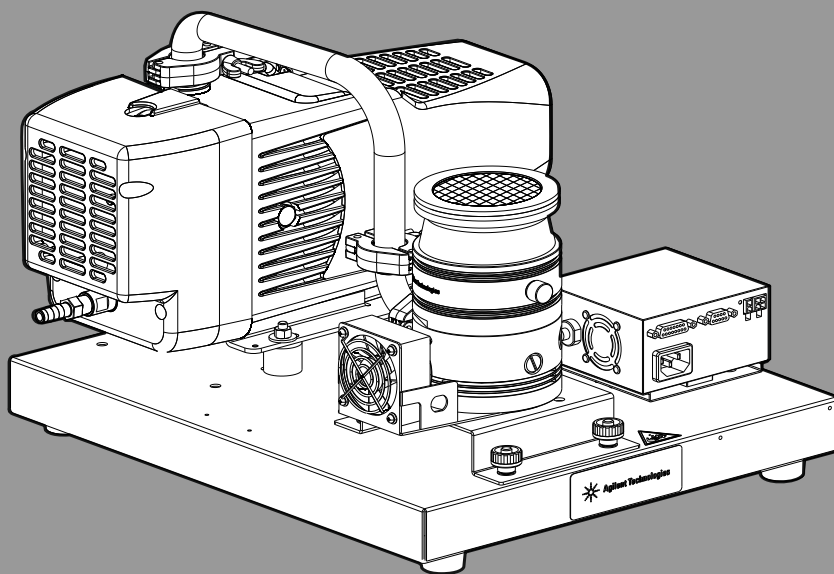




# Agilent TPS-flexy

## Quick Reference Assembly Guide



**United States**

Toll free: +1 800 882 7426

**Europe and other countries**

Toll free: 00 800 234 234 00

**China**

Toll free: 400 820 6778 (mobile)

Toll free: 800 820 6778 (landline)

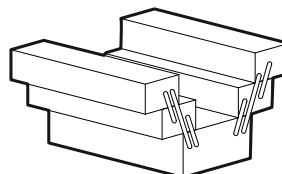
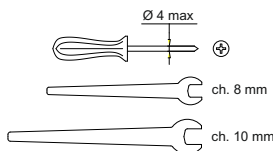
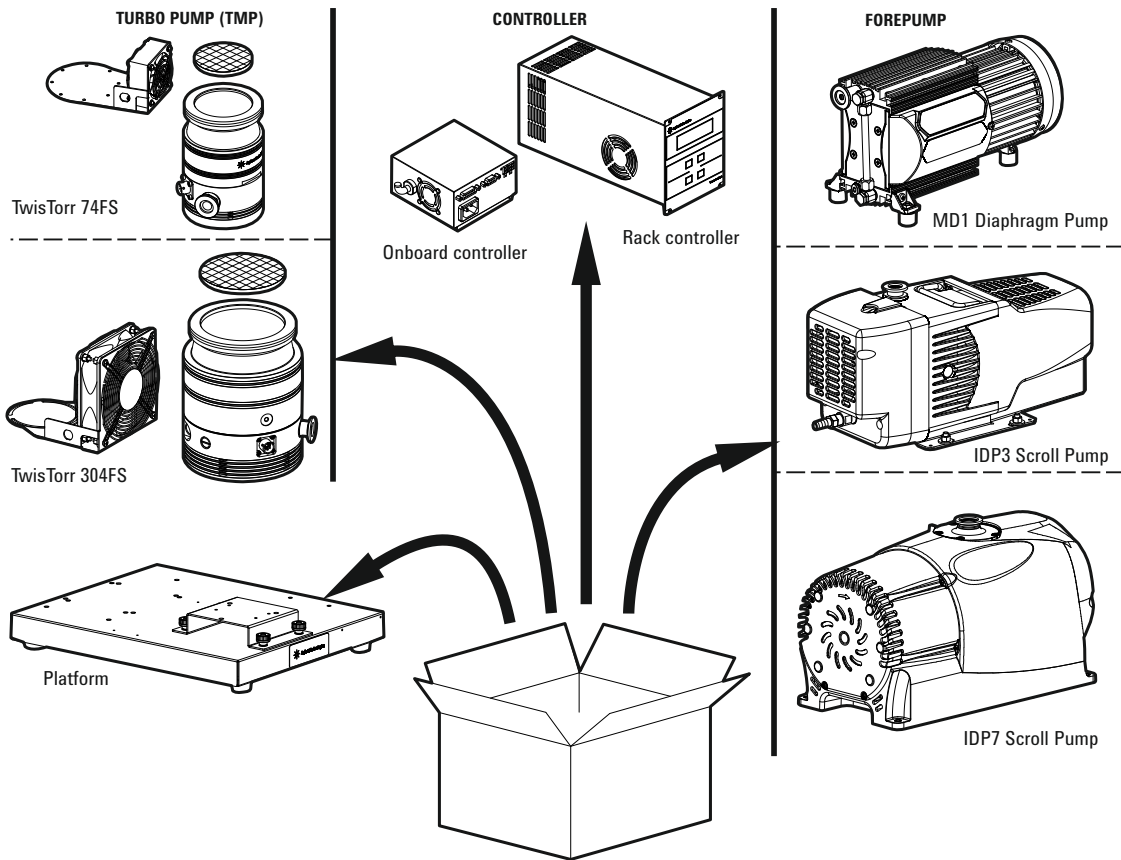


**Agilent Technologies**

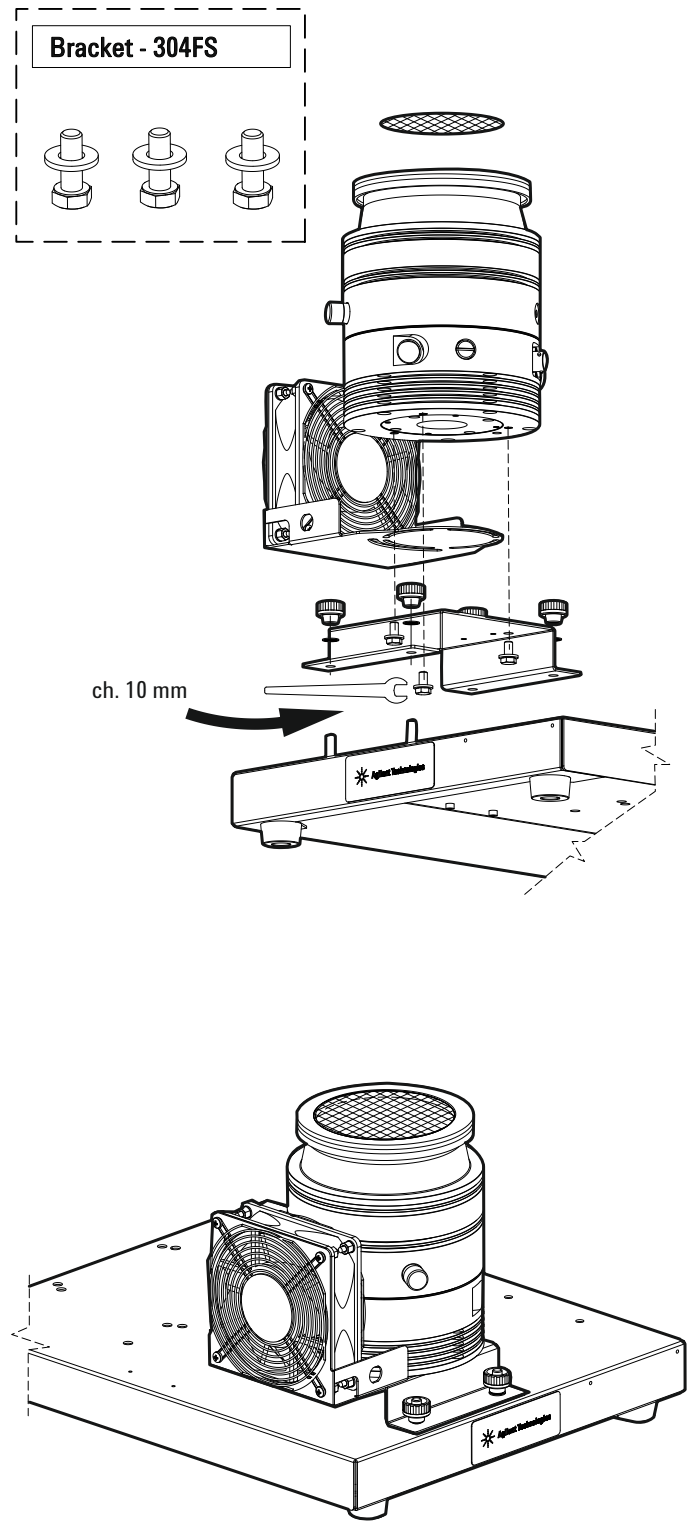
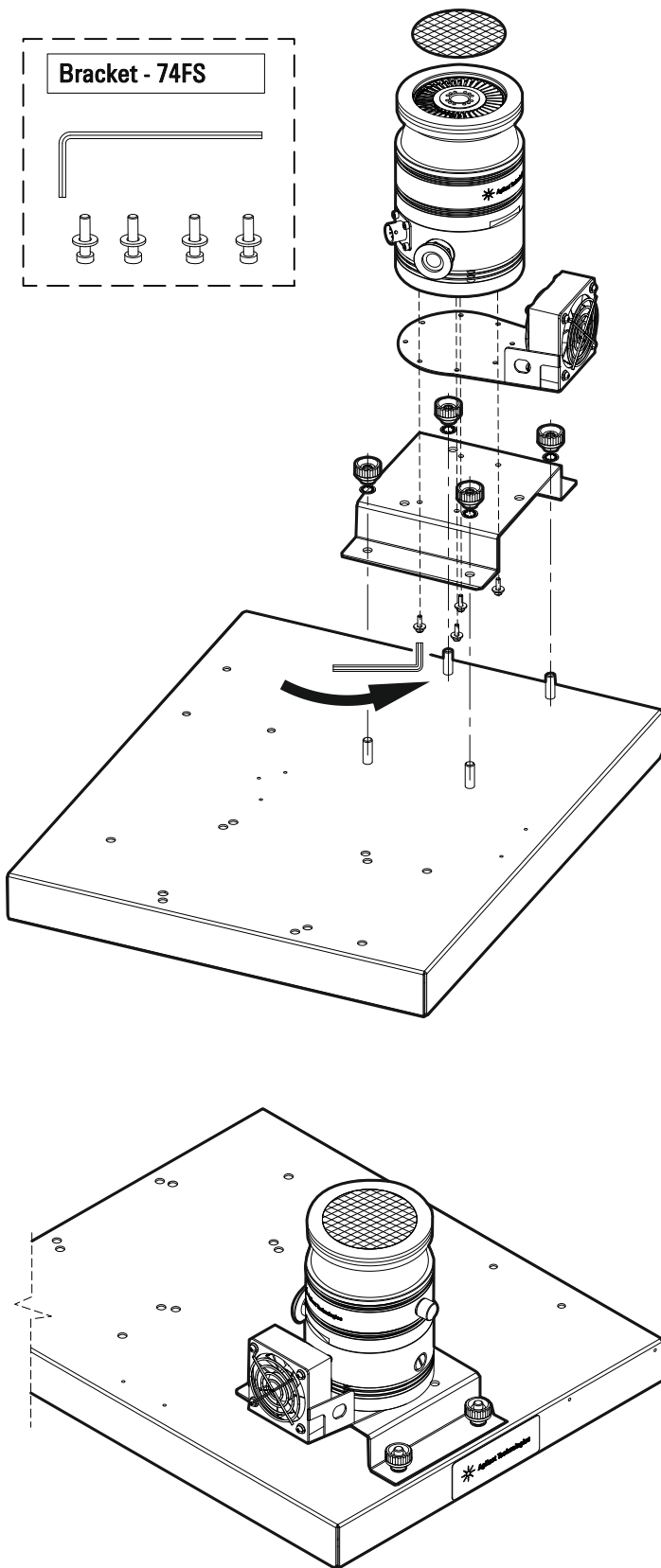
**Code 87-900-149-01 (B) 10/2018**

# Agilent TPS-flexy Quick Reference Assembly Guide

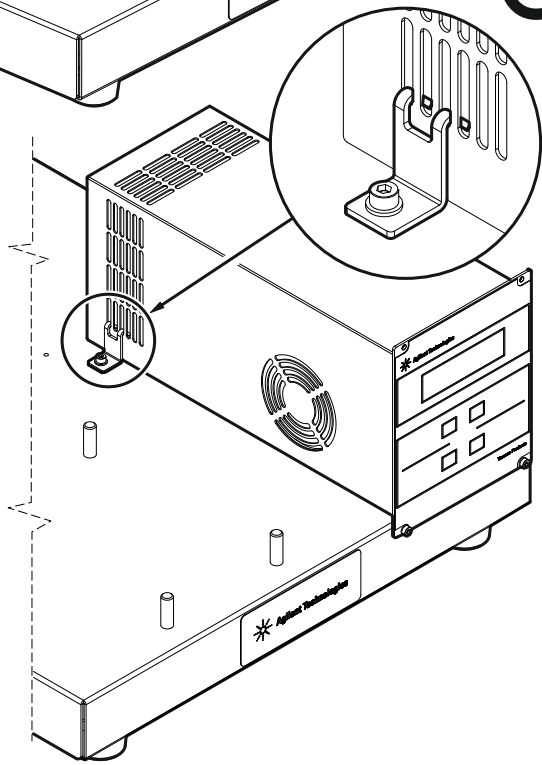
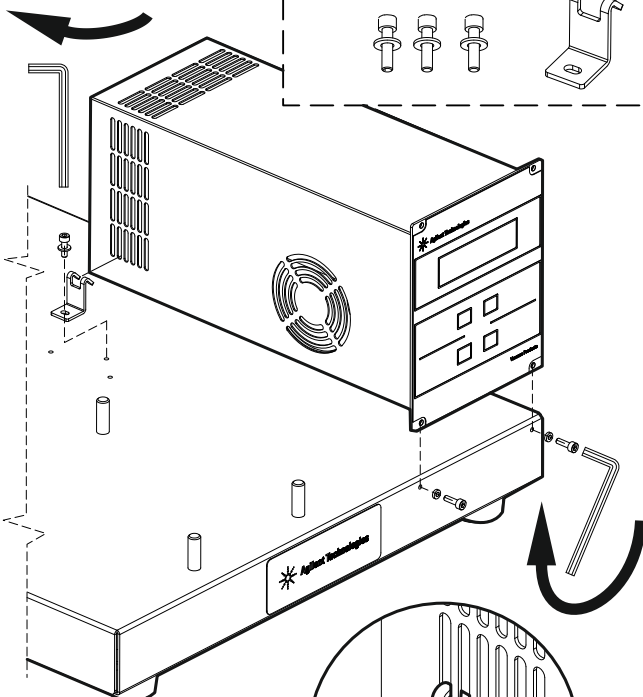
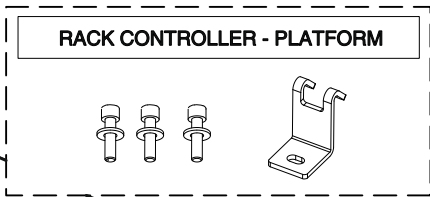
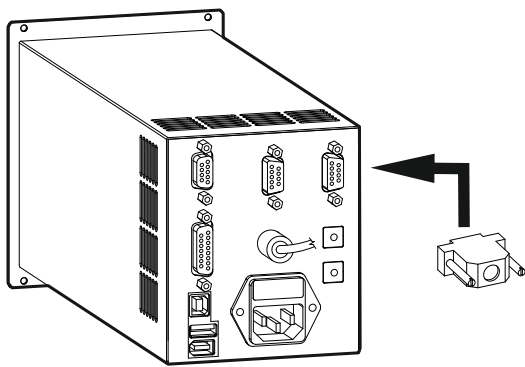
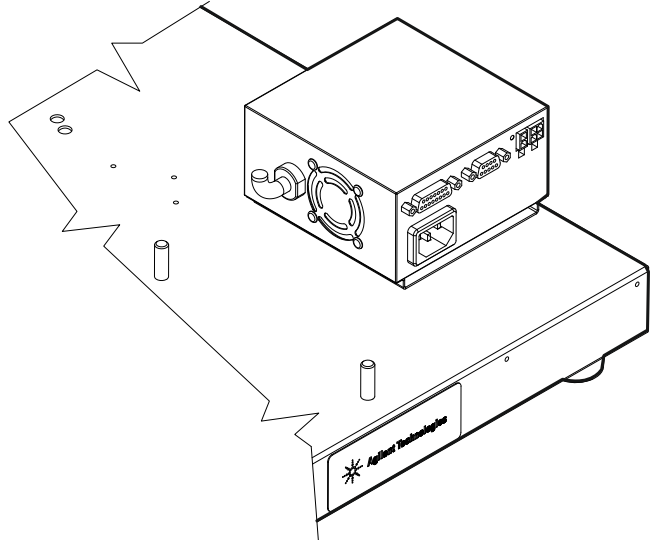
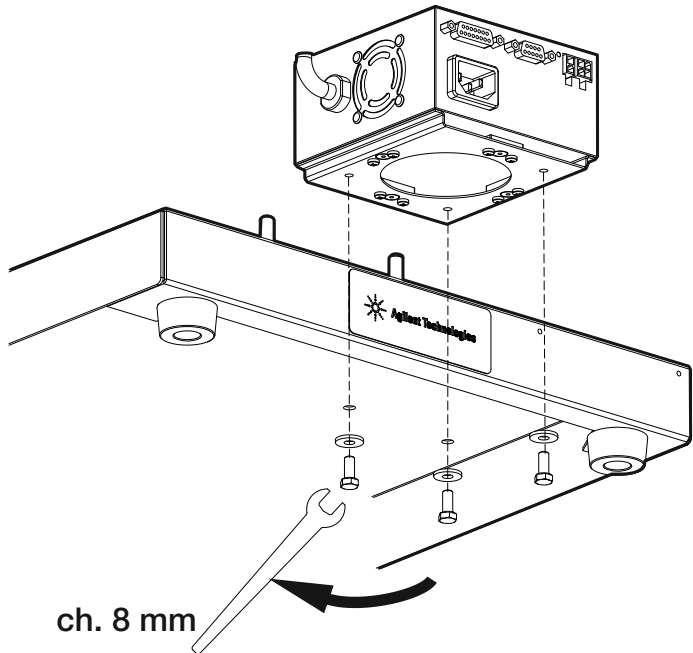
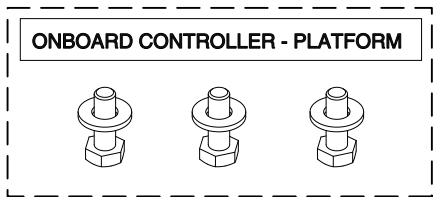
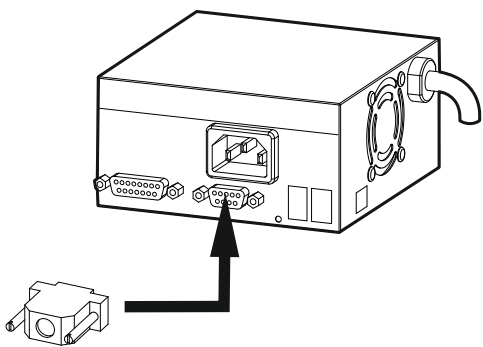
P/N	TPS-flexy description	TMP	Inlet Flange	TMP Controller	Voltage	Forepump type
X1699-64077	TPS-flexy turbo pumping system, TwisTorr 74FS KF40, IDP3, 240V, onboard controller	74FS	KF40	74FS onboard C/U	240V	IDP3
X1699-64078	TPS-flexy turbo pumping system, TwisTorr 74FS KF40, IDP3, 240V, Rack controller	74FS	KF40	74FS Rack C/U	240V	IDP3
X1699-64079	TPS-flexy turbo pumping system, TwisTorr 74FS CFF4.5, IDP3, 240V, onboard controller	74FS	CFF4.5	74FS onboard C/U	240V	IDP3
X1699-64080	TPS-flexy turbo pumping system, TwisTorr 74FS ISO63, IDP3, 120V, onboard controller	74FS	ISO63	74FS onboard C/U	120V	IDP3
X1699-64081	TPS-flexy turbo pumping system, TwisTorr 74FS KF40, IDP3, 120V, onboard controller	74FS	KF40	74FS onboard C/U	120V	IDP3
X1699-64082	TPS-flexy turbo pumping system, TwisTorr 74FS KF40, IDP3, 120V, Rack controller	74FS	KF40	74FS Rack C/U	120V	IDP3
X1699-64083	TPS-flexy turbo pumping system, TwisTorr 74FS CFF4.5, IDP3, 120V, onboard controller	74FS	CFF4.5	74FS onboard C/U	120V	IDP3
X1699-64084	TPS-flexy turbo pumping system, TwisTorr 74FS ISO63, MD1, 120-240V, onboard controller	74FS	ISO63	74FS onboard C/U	120-240V	MD1
X1699-64085	TPS-flexy turbo pumping system, TwisTorr 74FS KF40, MD1, 120-240V, onboard controller	74FS	KF40	74FS onboard C/U	120-240V	MD1
X1699-64086	TPS-flexy turbo pumping system, TwisTorr 74FS KF40, MD1, 120-240V, Rack controller	74FS	KF40	74FS Rack C/U	120-240V	MD1
X1699-64087	TPS-flexy turbo pumping system, TwisTorr 74FS CFF4.5, MD1, 120-240V, onboard controller	74FS	CFF4.5	74FS onboard C/U	120-240V	MD1
X1699-64088	TPS-flexy turbo pumping system, TwisTorr 74FS ISO63, IDP3, 240V, Rack controller	74FS	ISO63	74FS Rack C/U	240V	IDP3
X1699-64095	TPS-flexy turbo pumping system, TwisTorr 74FS CFF4.5, IDP3, 240V, Rack controller	74FS	CFF4.5	74FS Rack C/U	240V	IDP3
X1699-64096	TPS-flexy turbo pumping system, TwisTorr 74FS ISO63, IDP3, 120V, Rack controller	74FS	ISO63	74FS Rack C/U	120V	IDP3
X1699-64097	TPS-flexy turbo pumping system, TwisTorr 74FS CFF4.5, IDP3, 120V, Rack controller	74FS	CFF4.5	74FS Rack C/U	120V	IDP3
X1699-64098	TPS-flexy turbo pumping system, TwisTorr 74FS ISO63, MD1, 120-240V, Rack controller	74FS	ISO63	74FS Rack C/U	120-240V	MD1
X1699-64099	TPS-flexy turbo pumping system, TwisTorr 74FS CFF4.5, MD1, 120-240V, Rack controller	74FS	CFF4.5	74FS Rack C/U	120-240V	MD1
X1699-64100	TPS-flexy turbo pumping system, TwisTorr 74FS ISO63, IDP3, 240V, onboard controller	74FS	ISO63	74FS onboard C/U	240V	IDP3
X1699-64101	TPS-flexy turbo pumping system, TwisTorr 74FS CFF2.75, IDP3, 240V, Rack controller	74FS	CFF2.75	74FS Rack C/U	240V	IDP3
X1699-64102	TPS-flexy turbo pumping system, TwisTorr 74FS CFF2.75, MD1, 240V, Rack controller	74FS	CFF2.75	74FS Rack C/U	240V	MD1
X1699-64103	TPS-flexy turbo pumping system, TwisTorr 74FS CFF4.5, IDP7, 120-240V, Rack controller	74FS	CFF4.5	74FS Rack C/U	120-240V	IDP7
X1699-64104	TPS-flexy turbo pumping system, TwisTorr 74FS KF40, IDP7, 120-240V, Rack controller	74FS	KF40	74FS Rack C/U	120-240V	IDP7
X1699-64105	TPS-flexy turbo pumping system, TwisTorr 74FS CFF2.75, IDP7, 120-240V, onboard controller	74FS	CFF2.75	74FS onboard C/U	120-240V	IDP7
X1699-64106	TPS-flexy turbo pumping system, TwisTorr 74FS CFF2.75, IDP7, 120-240V, Rack controller	74FS	CFF2.75	74FS Rack C/U	120-240V	IDP7
X1699-64107	TPS-flexy turbo pumping system, TwisTorr 74FS KF40, IDP7, 120-240V, onboard controller	74FS	KF40	74FS onboard C/U	120-240V	IDP7
X1699-64032	TPS-flexy turbo pumping system, TwisTorr 304FS ISO100, IDP7, 120-240V, onboard controller	304FS	ISO100	304 FS on-board C/U	120-240V	IDP7
X1699-64033	TPS-flexy turbo pumping system, TwisTorr 304FS ISO100, IDP7, 120-240V, Rack controller	304FS	ISO100	304 FS AG Rack C/U	120-240V	IDP7
X1699-64034	TPS-flexy turbo pumping system, TwisTorr 304FS CFF6, IDP7, 120-240V, onboard controller	304FS	CFF6	304 FS on-board C/U	120-240V	IDP7
X1699-64035	TPS-flexy turbo pumping system, TwisTorr 304FS ISO100, IDP3, 240V, onboard controller	304FS	ISO100	304 FS on-board C/U	240V	IDP3
X1699-64036	TPS-flexy turbo pumping system, TwisTorr 304FS ISO100, IDP3, 240V, Rack controller	304FS	ISO100	304 FS AG Rack C/U	240V	IDP3
X1699-64037	TPS-flexy turbo pumping system, TwisTorr 304FS CFF6, IDP3, 240V, onboard controller	304FS	CFF6	304 FS on-board C/U	240V	IDP3
X1699-64046	TPS-flexy turbo pumping system, TwisTorr 304FS CFF6, IDP7, 120-240V, Rack controller	304FS	CFF6	304 FS AG Rack C/U	120-240V	IDP7
X1699-64047	TPS-flexy turbo pumping system, TwisTorr 304FS CFF6, IDP3, 240V, Rack controller	304FS	CFF6	304 FS AG Rack C/U	240V	IDP3
X1699-64074	TPS-flexy turbo pumping system, TwisTorr 304FS CFF6, IDP10, 120-240V, Rack controller	304FS	CFF6	304 FS AG Rack C/U	120-240V	IDP10
X1699-64075	TPS-flexy turbo pumping system, TwisTorr 304FS ISO100, IDP3, 120V, Rack controller	304FS	ISO100	304 FS AG Rack C/U	120V	IDP3



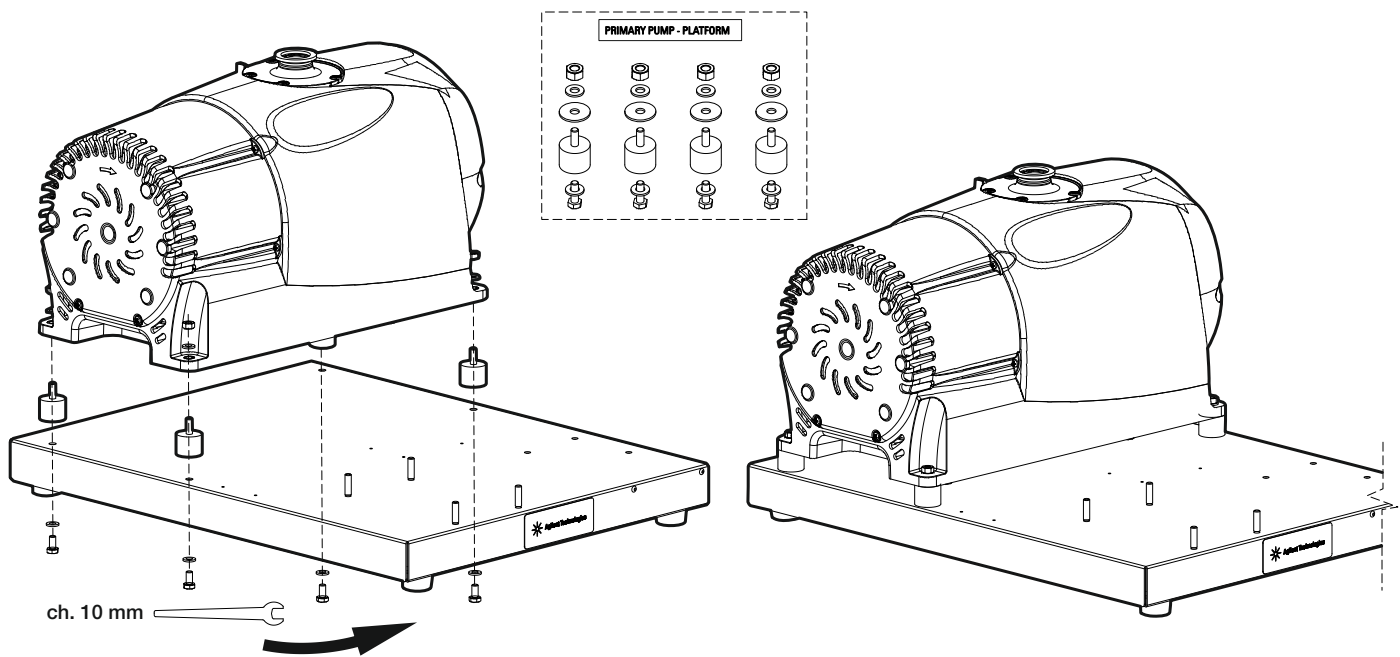
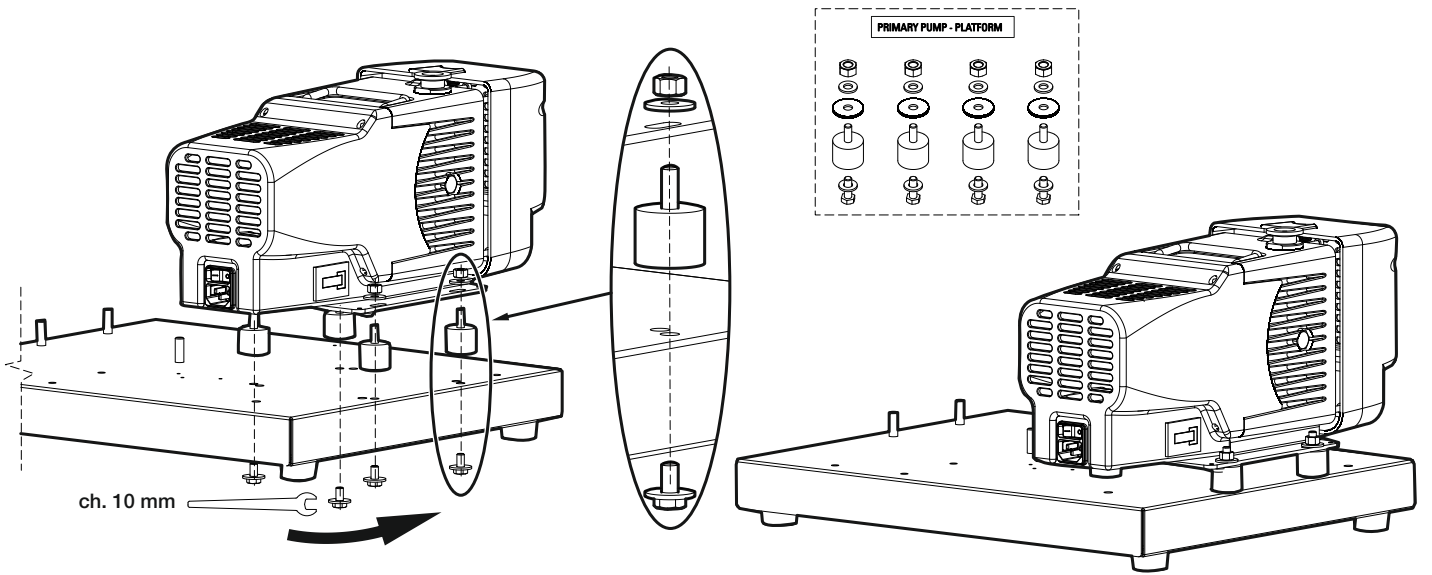
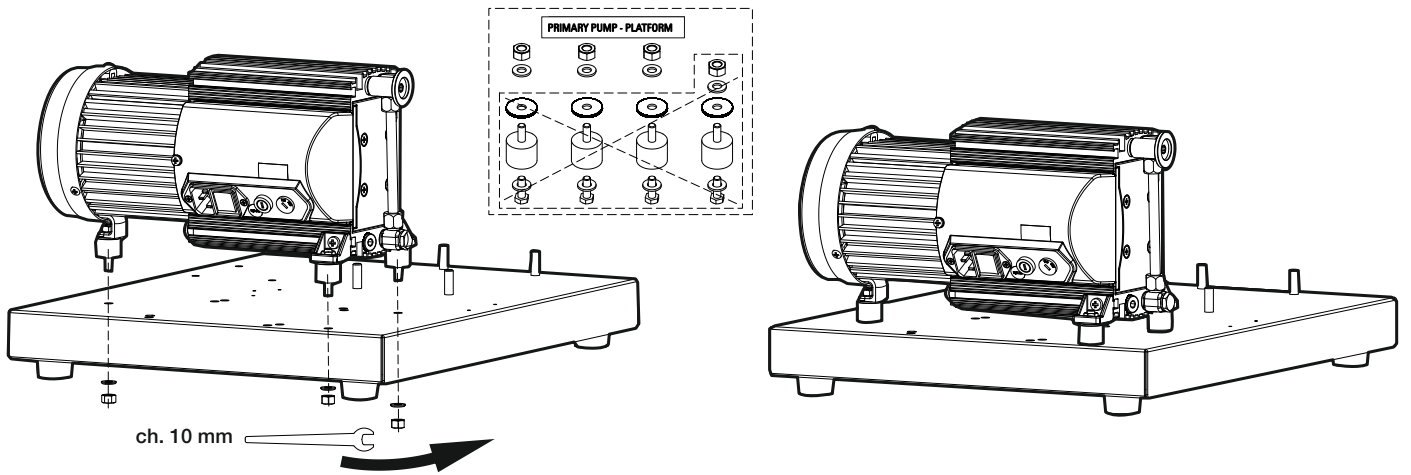
# Agilent TPS-flexy Quick Reference Assembly Guide



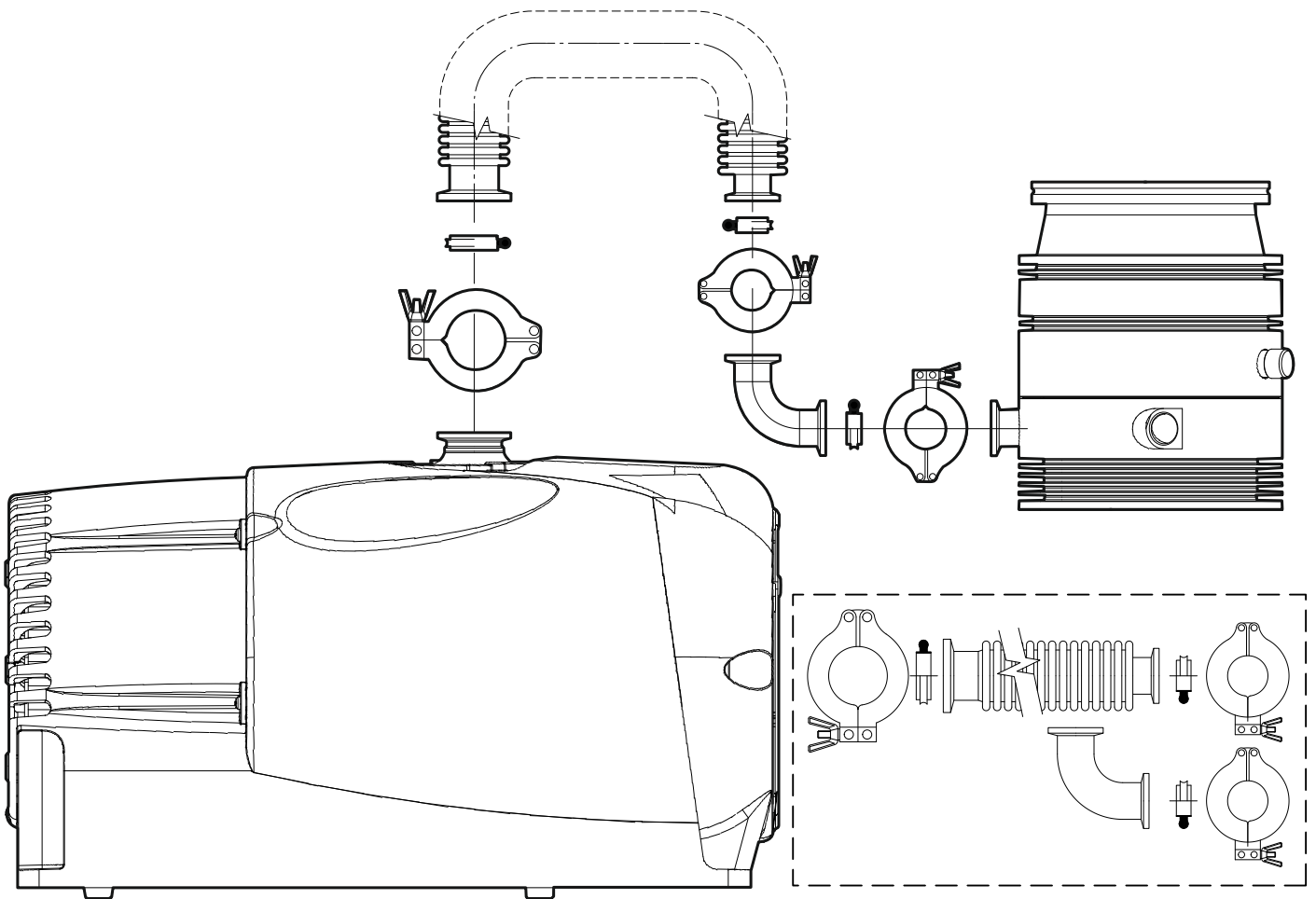
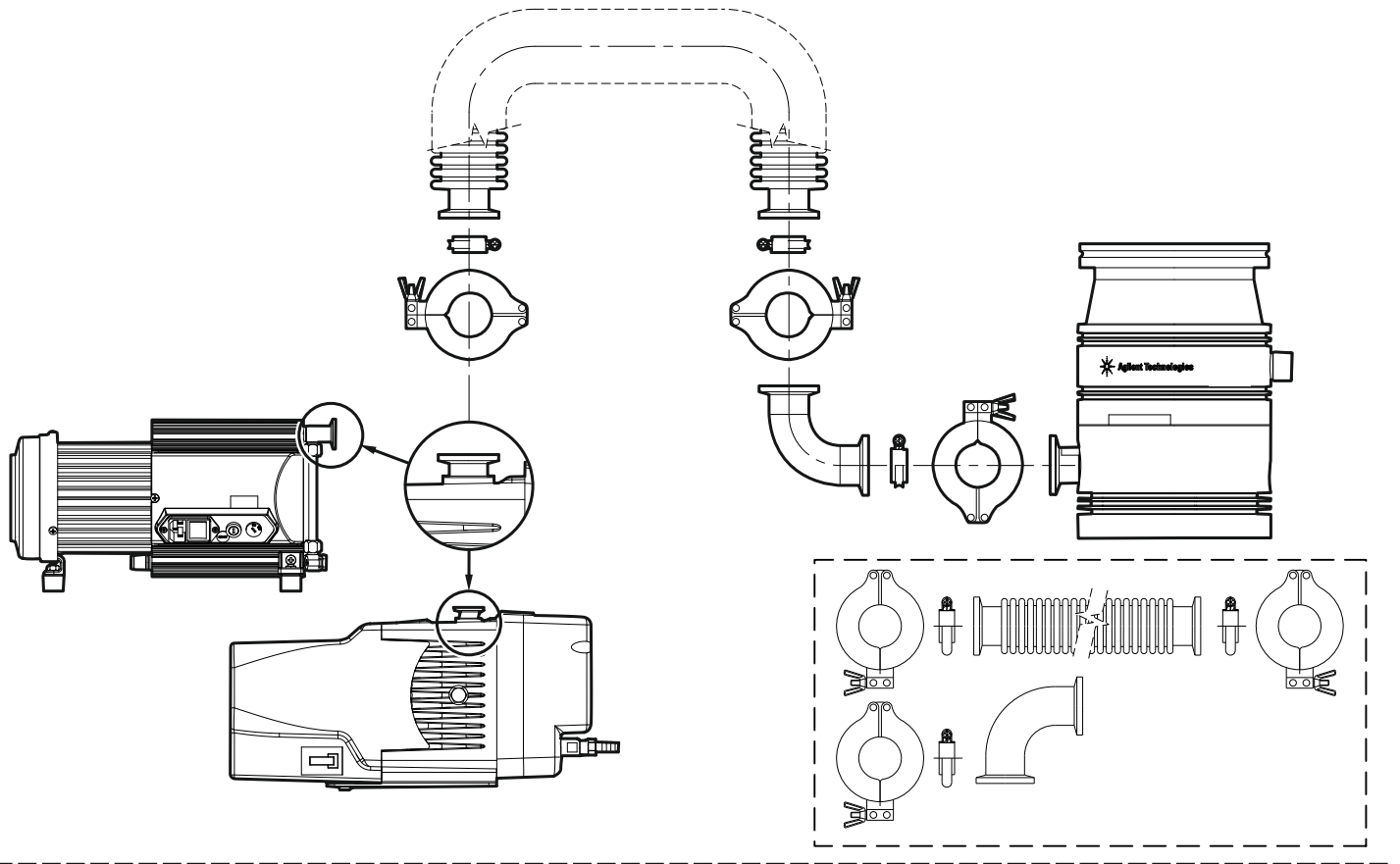
# Agilent TPS-flexy Quick Reference Assembly Guide



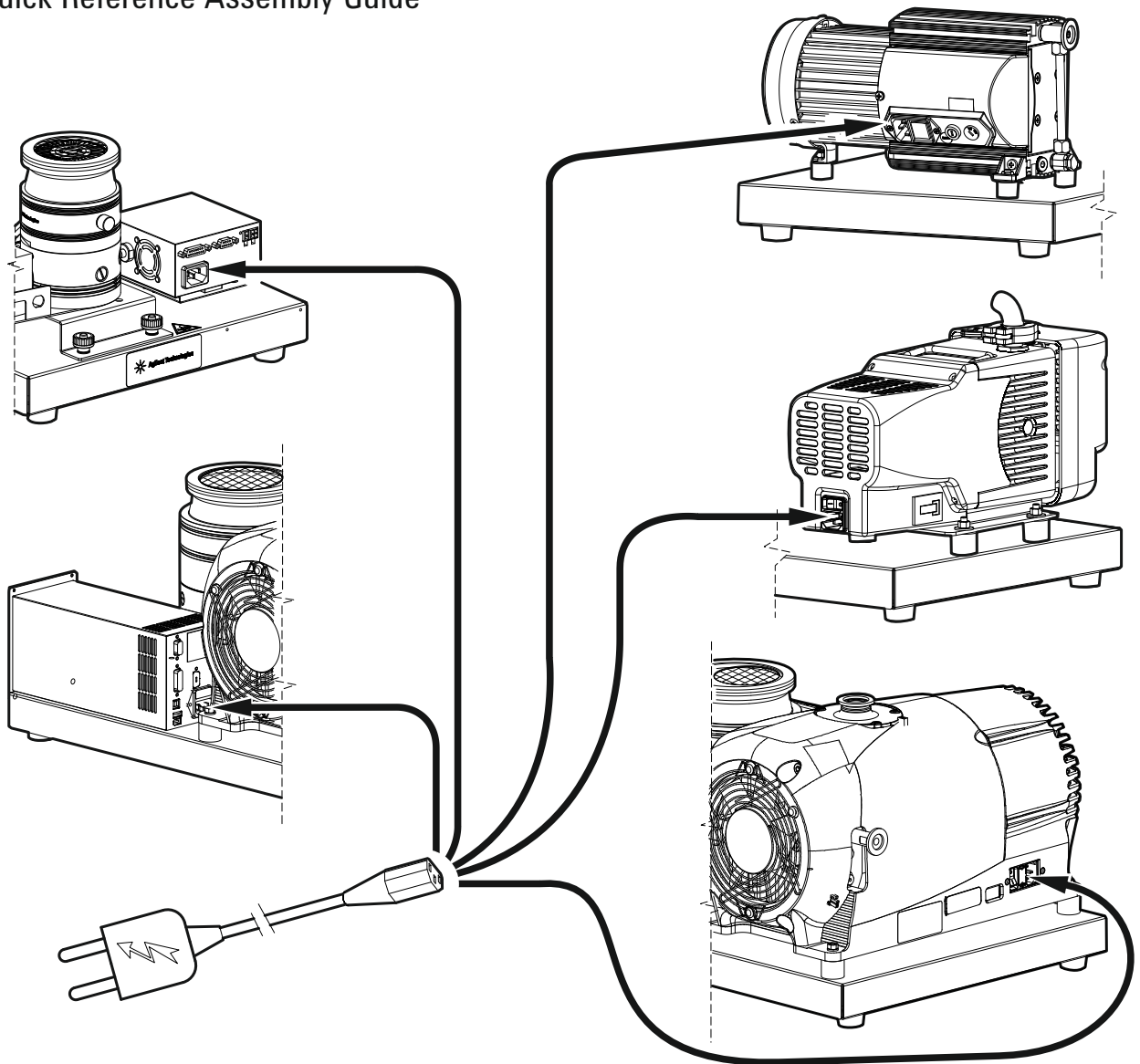
# Agilent TPS-flexy Quick Reference Assembly Guide



# Agilent TPS-flexy Quick Reference Assembly Guide

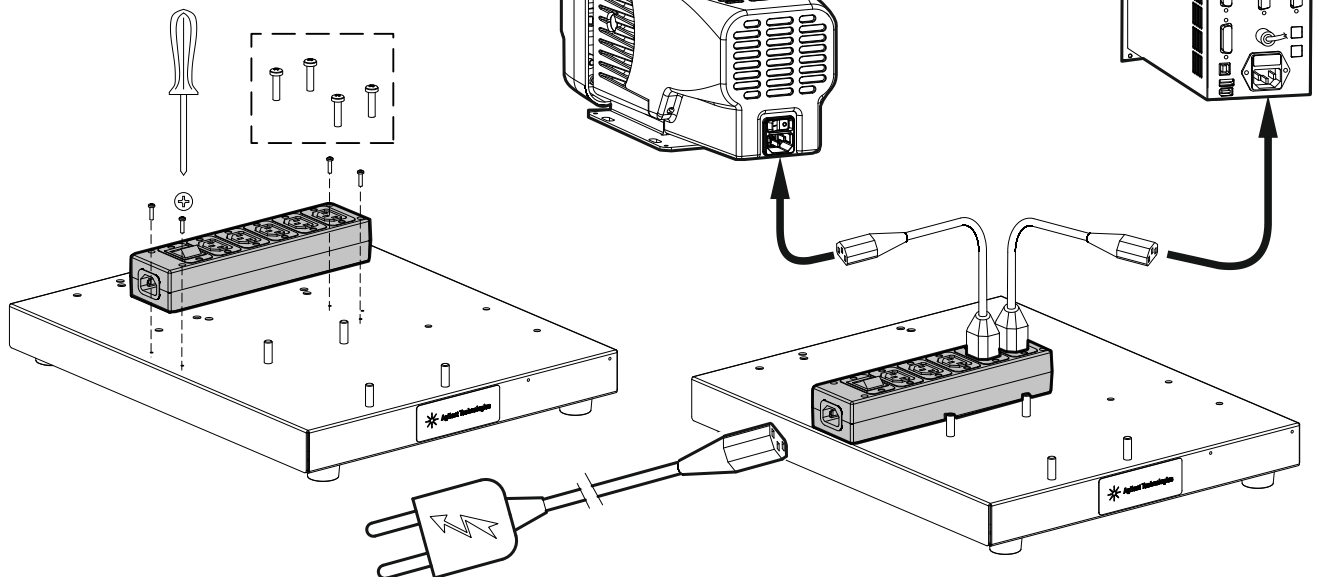


# Agilent TPS-flexy Quick Reference Assembly Guide

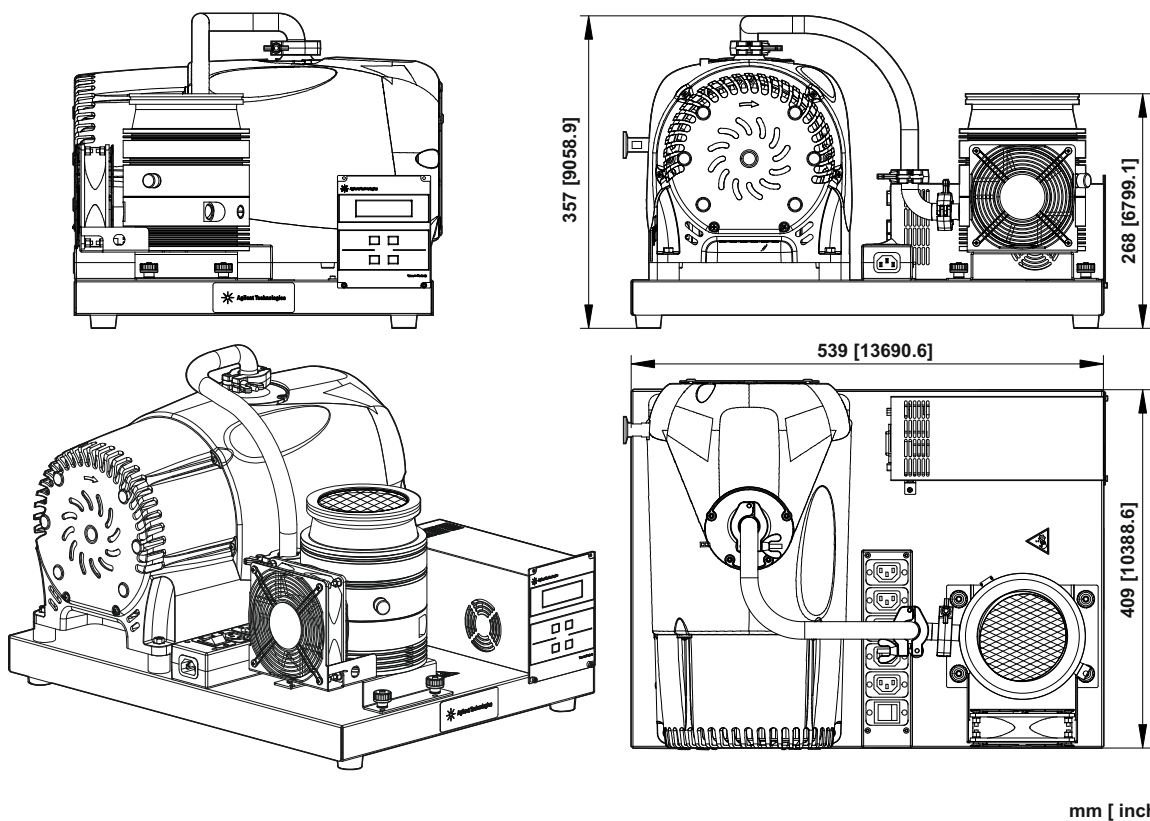
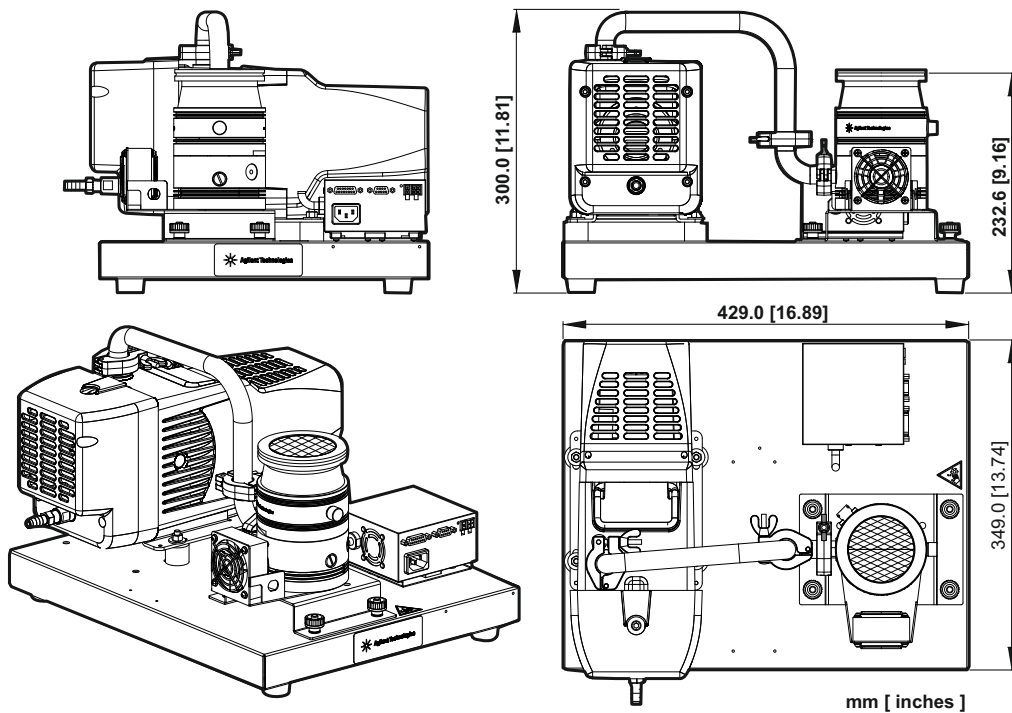


## OPTION

SR03741796



# Agilent TPS-flexy Quick Reference Assembly Guide



**WARNING**

**Danger due to open high vacuum flange**  
 The rotor of the turbopump turns at high speed. If the high vacuum flange is open, there is a danger of cut injuries and that the pump can be destroyed by objects falling into it.  
 → Never operate the pump with an open high vacuum flange.







# Agilent TPS-flexy

## Quick Reference Assembly Guide

### United States

Agilent Technologies  
121 Hartwell Avenue, Lexington MA 02421, USA  
Tel: +1 781 861 7200, Fax: +1 781 860 5437  
Toll free: +1 800 882 7426

### Europe and other countries

Agilent Technologies Italia SpA  
via F.lli Varian 54, 10040 Leini, (Torino), Italy  
Tel: +39 011 9979 111, Fax: +39 011 9979 350  
Toll free: 00 800 234 234 00

### China

Agilent Technologies Co. Ltd.  
No.3, Wang Jing Bei Lu, Chao Yang District,  
Beijing, 100102, China  
Tel: +86 (0) 10 64397888, Fax: +86 (0) 10 64392765  
Toll free: 400 820 6778 (mobile)  
Toll free: 800 820 6778 (landline)

This information is subject to change without notice.

© Agilent Technologies, Inc. 2018  
Published in Italy, October 2018



**Agilent Technologies**