



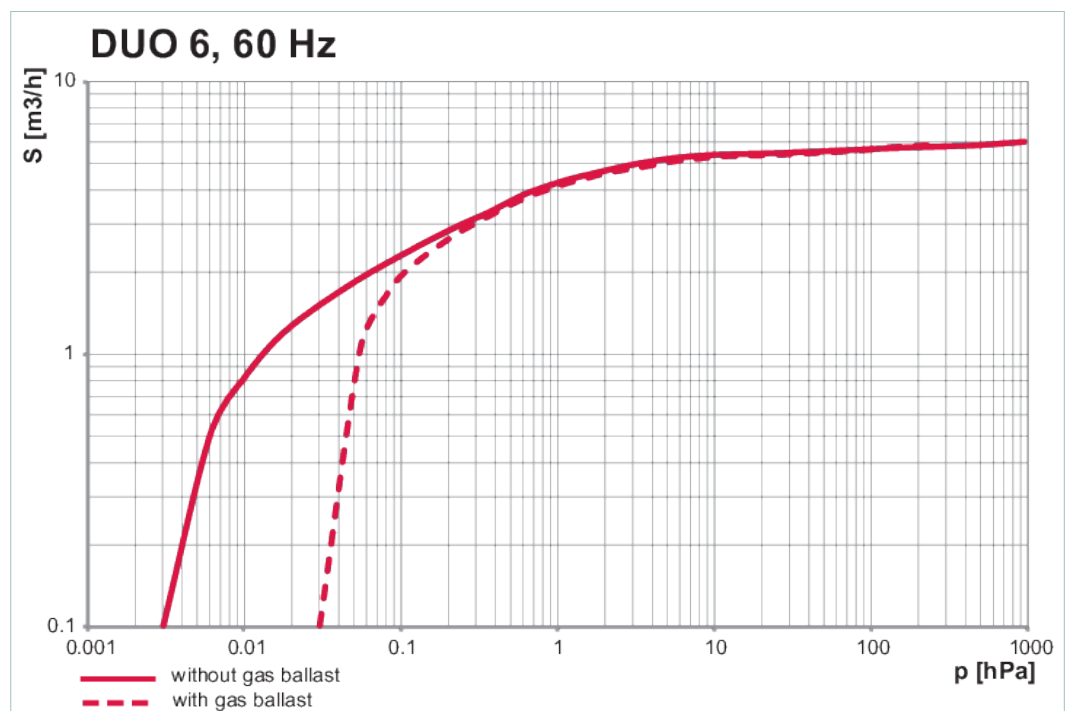
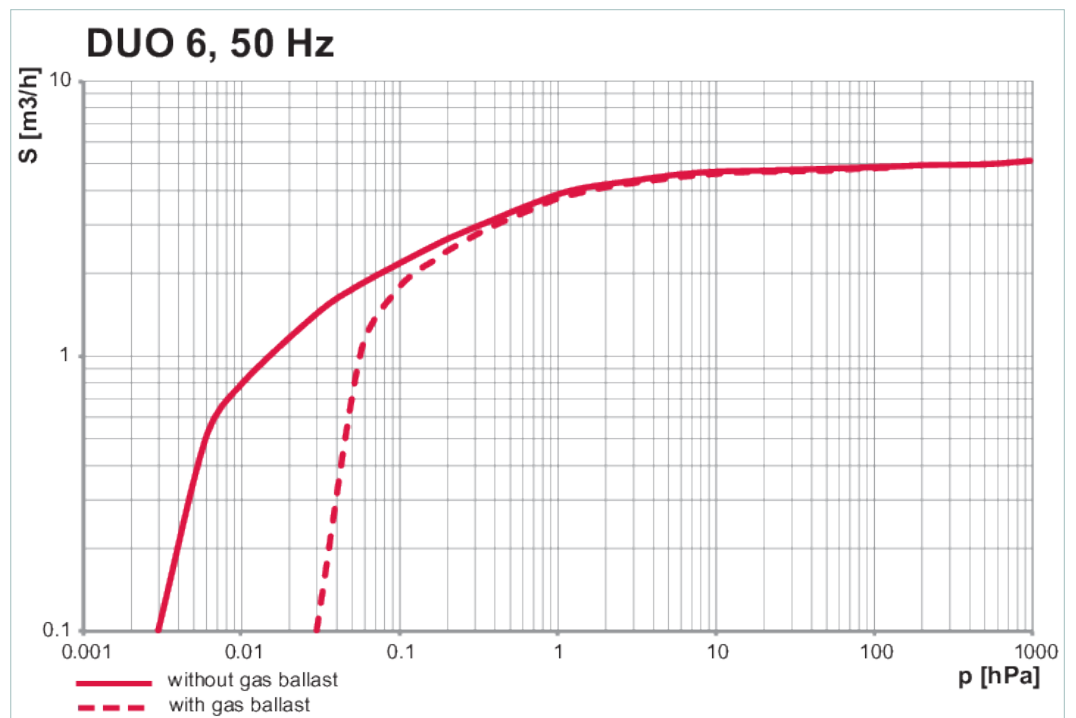
**Duo 6 M, 1-phase motor, 100–110 V, 50 Hz | 100–120 V, 60 Hz**



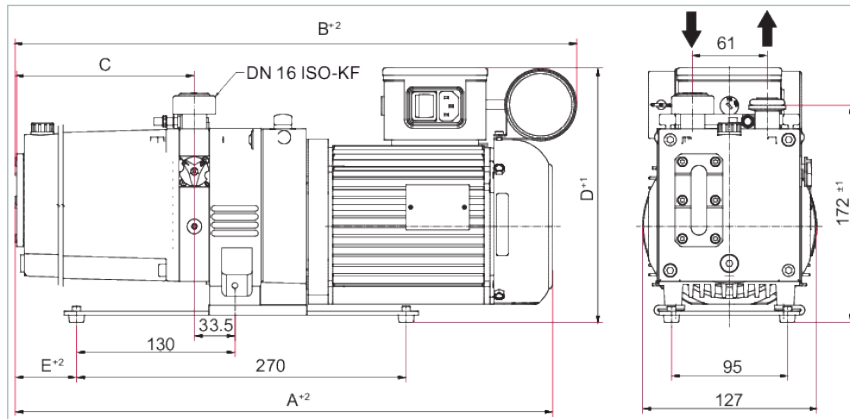
Similar Image

## Duo 6 M, 1-phase motor, 100–110 V, 50 Hz | 100–120 V, 60 Hz

- Dual-stage, high-performance rotary vane pump with a pumping speed of 5 m<sup>3</sup>/h at 50 Hz / 6 m<sup>3</sup>/h at 60 Hz
- With single-phase motor with C14 connector plug inside the terminal box
- Integrated gas ballast and HV safety valve
- For all low and medium vacuum applications
- With magnetic coupling
- Other motor voltages available on request



## Dimensions



A	423 mm
B	433 mm
C	145 mm
D	182 mm
E	108.5 mm

Technical Data	Duo 6 M, 1-phase motor, 100–110 V, 50 Hz   100–120 V, 60 Hz
Ambient temperature	12-40 °C   53.6-104 °F   285-313 K
Cooling method, standard	Air
Emission sound pressure level without gas ballast at 50 Hz	51 dB(A)
Exhaust pressure, max.	1,500 hPa   1,125 Torr   1,500 mbar
Exhaust pressure, min.	250 hPa   187.5 Torr   250 mbar
Flange (in)	DN 16 ISO-KF
Flange (out)	DN 16 ISO-KF
Leak rate safety valve	1 · 10 <sup>-5</sup> Pa m <sup>3</sup> /s
Magnetic coupling	Yes
Mains cable	No
Mains requirement: voltage (range)	±10 %
Mains requirement: voltage 50 Hz	100 – 110 V
Mains requirement: voltage 60 Hz	100 – 120 V
Motor version	1-ph motor
Operating fluid	P3
Operating fluid filling	0.5 l
Protection category	IP40
Pumping speed at 50 Hz	5 m <sup>3</sup> /h
Pumping speed at 60 Hz	6 m <sup>3</sup> /h
Rated power 50 Hz	0.2 kW
Rated power 60 Hz	0.24 kW
Rotation speed at 50 Hz	3,000 rpm   3,000 min <sup>-1</sup>
Rotation speed at 60 Hz	3,600 rpm   3,600 min <sup>-1</sup>
Switch New	Yes
Ultimate pressure with gas ballast	3 · 10 <sup>-2</sup> hPa   2.25 · 10 <sup>-2</sup> Torr   3 · 10 <sup>-2</sup> mbar
Ultimate pressure without gas ballast	3 · 10 <sup>-3</sup> hPa   2.25 · 10 <sup>-3</sup> Torr   3 · 10 <sup>-3</sup> mbar
Weight	17.5 kg   38.58 lb

Order number	
Duo 6 M	PK D58 107

<b>Accessories</b>	
<b>Cables Mains cables / Power cords</b>	
Mains cable 230 V with safety plug CEE 7, right angle IEC 320/C13 socket, 2 m	<b>PK 050 109</b>
Mains cable 115 V with NEMA-plug, right angle IEC 320/C13 socket, 2 m	<b>PK 050 110</b>
Mains cable 115/230 V without plug, right angle IEC 320/C13 socket, 3 m	<b>PK 050 111</b>
<b>Conversion kit</b>	
Gas ballast valve-conversion kit corrosive version with Hose nozzle	<b>PK 195 666 -U</b>
<b>Monitoring Operations monitoring units</b>	
Operations monitoring unit 3 for Duo 1.6/3/6/11 and Duo 5/10/20 M	<b>PK 196 146 -T</b>
Operations monitoring unit 2 for Duo 1.6/3/6/11 and Duo 5/10/20 M	<b>PK 196 147 -T</b>
Operations monitoring unit 1 for Duo 1.6/3/6/11 and Duo 5/10/20 M	<b>PK 196 148 -T</b>
<b>Protection Condensate separators</b>	
KAS 16, condensate separator for pumping speeds from 1.6 to 12 m <sup>3</sup> /h	<b>PK Z10 003</b>
<b>Protection Dust separators/Inlet particle filters</b>	
SAS 16, dust separator, DN 16 ISO-KF, polyester filter	<b>PK Z60 506</b>
<b>Protection Oil mist eliminators</b>	
OME 16 S, oil mist filter for pumping speeds up to 12 m <sup>3</sup> /h	<b>PK Z40 000</b>
OME 16 M, oil mist filter for pumping speeds of up to 12 m <sup>3</sup> /h	<b>PK Z40 003</b>
<b>Protection Oil return units from oil mist eliminators</b>	
Oil return unit from OME 16 S to Duo 1.6/Duo 3/Duo 6/Duo 11/Uno 6	<b>PK 005 986 -T</b>
Oil return unit from OME 16 M to Duo 1.6, 3, 6, 11, Uno 6	<b>PK 006 080 -T</b>
<b>Protection Sorption traps</b>	
ZFO 16, zeolite trap	<b>PK Z70 003</b>
<b>Valves Gas ballast valves, magnetic</b>	
Gas ballast valve with magnet valve, 24 V DC	<b>PK 194 343 -U</b>
<b>Consumables</b>	
P3, mineral oil, 1 l	<b>PK 001 106 -T</b>
P3, mineral oil, 0.5 l	<b>PK 001 136 -T</b>

## **VACUUM SOLUTIONS FROM A SINGLE SOURCE**

Pfeiffer Vacuum stands for innovative and custom vacuum solutions worldwide, technological perfection, competent advice and reliable service.

## **COMPLETE RANGE OF PRODUCTS**

From a single component to complex systems:

We are the only supplier of vacuum technology that provides a complete product portfolio.

## **COMPETENCE IN THEORY AND PRACTICE**

Benefit from our know-how and our portfolio of training opportunities!

We support you with your plant layout and provide first-class on-site service worldwide.

Are you looking for a  
perfect vacuum solution?  
Please contact us:

**Pfeiffer Vacuum GmbH**  
Headquarters · Germany  
T +49 6441 802-0  
info@pfeiffer-vacuum.de

[www.pfeiffer-vacuum.com](http://www.pfeiffer-vacuum.com)

All data subject to change without prior notice.

**PFEIFFER**  **VACUUM**