



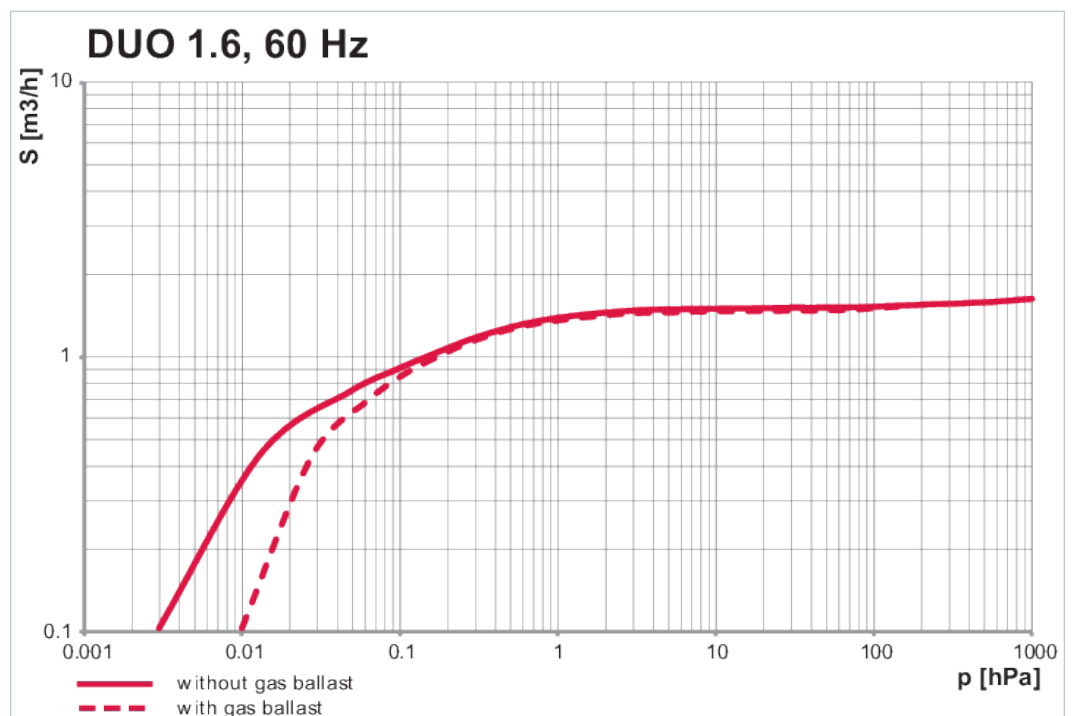
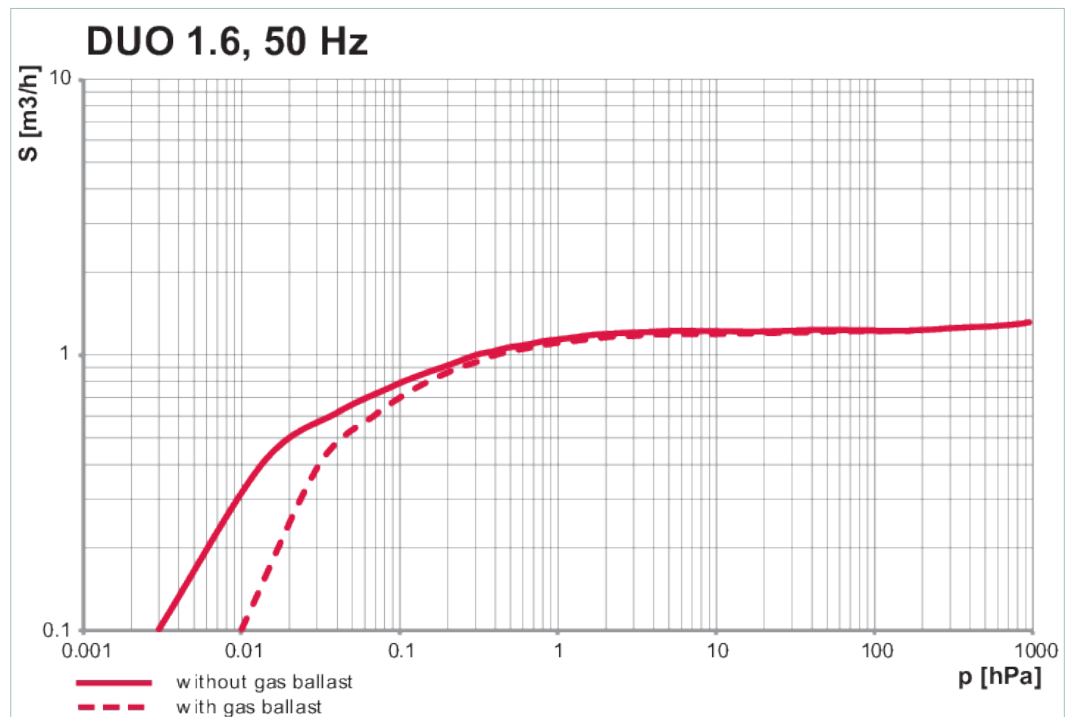
**Duo 1.6 M, 1-phase motor, 105 V,
50 Hz | 115–125 V, 60 Hz**



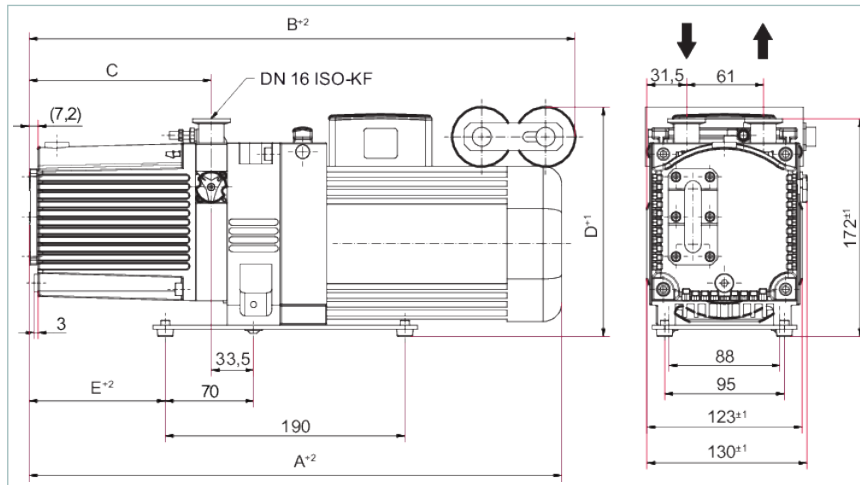
Similar Image

Duo 1.6 M, 1-phase motor, 105 V, 50 Hz | 115–125 V, 60 Hz

- Dual-stage, high-performance rotary vane pump with a pumping speed of 1.25 m³/h at 50 Hz / 1.50 m³/h at 60 Hz
- With magnetic coupling
- With single-phase motor with C14 connector plug inside the terminal box
- Integrated gas ballast and safety valve
- OME oil return device is included with the pump
- For all low and medium vacuum applications
- Special feature: various motor voltages for wide range of application fields



Dimensions



A	357 mm
B	376 mm
C	123 mm
D	192 mm
E	85.5 mm

Technical Data	Duo 1.6 M, 1-phase motor, 105 V, 50 Hz 115–125 V, 60 Hz
Ambient temperature	12-40 °C 53.6-104 °F 285-313 K
Cooling method, standard	Air
Emission sound pressure level without gas ballast at 50 Hz	48 dB(A)
Exhaust pressure, max.	1,500 hPa 1,125 Torr 1,500 mbar
Exhaust pressure, min.	250 hPa 187.5 Torr 250 mbar
Flange (in)	DN 16 ISO-KF
Flange (out)	DN 16 ISO-KF
Leak rate safety valve	$1 \cdot 10^{-5}$ Pa m ³ /s
Magnetic coupling	Yes
Mains cable	No
Mains requirement: voltage (range)	±10 %
Mains requirement: voltage 50 Hz	100 – 105 V
Mains requirement: voltage 60 Hz	110 – 130 V
Motor version	1-ph motor
Operating fluid	P3
Operating fluid filling	0.4 l
Protection category	IP40
Pumping speed at 50 Hz	1.25 m ³ /h
Pumping speed at 60 Hz	1.5 m ³ /h
Rated power 50 Hz	0.075 kW
Rated power 60 Hz	0.09 kW
Recommended mains fuse capacity	2.5 A
Rotation speed at 50 Hz	1,500 rpm 1,500 min ⁻¹
Rotation speed at 60 Hz	1,800 rpm 1,800 min ⁻¹
Switch New	Yes
Ultimate pressure with gas ballast	$3 \cdot 10^{-3}$ hPa $2.25 \cdot 10^{-3}$ Torr $3 \cdot 10^{-3}$ mbar
Ultimate pressure without gas ballast	$3 \cdot 10^{-3}$ hPa $2.25 \cdot 10^{-3}$ Torr $3 \cdot 10^{-3}$ mbar
Weight	10.5 kg 23.15 lb

Order number	
Duo 1.6 M	PK D56 107

Accessories	
Cables Mains cables / Power cords	
Mains cable 230 V with safety plug CEE 7, right angle IEC 320/C13 socket, 2 m	PK 050 109
Mains cable 115 V with NEMA-plug, right angle IEC 320/C13 socket, 2 m	PK 050 110
Mains cable 115/230 V without plug, right angle IEC 320/C13 socket, 3 m	PK 050 111
Conversion kit	
Gas ballast valve-conversion kit corrosive version with Hose nozzle	PK 195 666 -U
Monitoring Operations monitoring units	
Operations monitoring unit 3 for Duo 1.6/3/6/11 and Duo 5/10/20 M	PK 196 146 -T
Operations monitoring unit 2 for Duo 1.6/3/6/11 and Duo 5/10/20 M	PK 196 147 -T
Operations monitoring unit 1 for Duo 1.6/3/6/11 and Duo 5/10/20 M	PK 196 148 -T
Protection Condensate separators	
KAS 16, condensate separator for pumping speeds from 1.6 to 12 m ³ /h	PK Z10 003
Protection Dust separators/Inlet particle filters	
SAS 16, dust separator, DN 16 ISO-KF, polyester filter	PK Z60 506
Protection Oil mist eliminators	
OME 16 S, oil mist filter for pumping speeds up to 12 m ³ /h	PK Z40 000
OME 16 M, oil mist filter for pumping speeds of up to 12 m ³ /h	PK Z40 003
Protection Oil return units from oil mist eliminators	
Oil return unit from OME 16 S to Duo 1.6/Duo 3/Duo 6/Duo 11/Uno 6	PK 005 986 -T
Oil return unit from OME 16 M to Duo 1.6, 3, 6, 11, Uno 6	PK 006 080 -T
Protection Sorption traps	
ZFO 16, zeolite trap	PK Z70 003
Valves Gas ballast valves, magnetic	
Gas ballast valve with magnet valve, 24 V DC	PK 194 343 -U
Consumables	
P3, mineral oil, 1 l	PK 001 106 -T
P3, mineral oil, 0.5 l	PK 001 136 -T

VACUUM SOLUTIONS FROM A SINGLE SOURCE

Pfeiffer Vacuum stands for innovative and custom vacuum solutions worldwide, technological perfection, competent advice and reliable service.

COMPLETE RANGE OF PRODUCTS

From a single component to complex systems:

We are the only supplier of vacuum technology that provides a complete product portfolio.

COMPETENCE IN THEORY AND PRACTICE

Benefit from our know-how and our portfolio of training opportunities!

We support you with your plant layout and provide first-class on-site service worldwide.

Are you looking for a
perfect vacuum solution?
Please contact us:

Pfeiffer Vacuum GmbH
Headquarters · Germany
T +49 6441 802-0
info@pfeiffer-vacuum.de

www.pfeiffer-vacuum.com

All data subject to change without prior notice.

PFEIFFER  **VACUUM**