



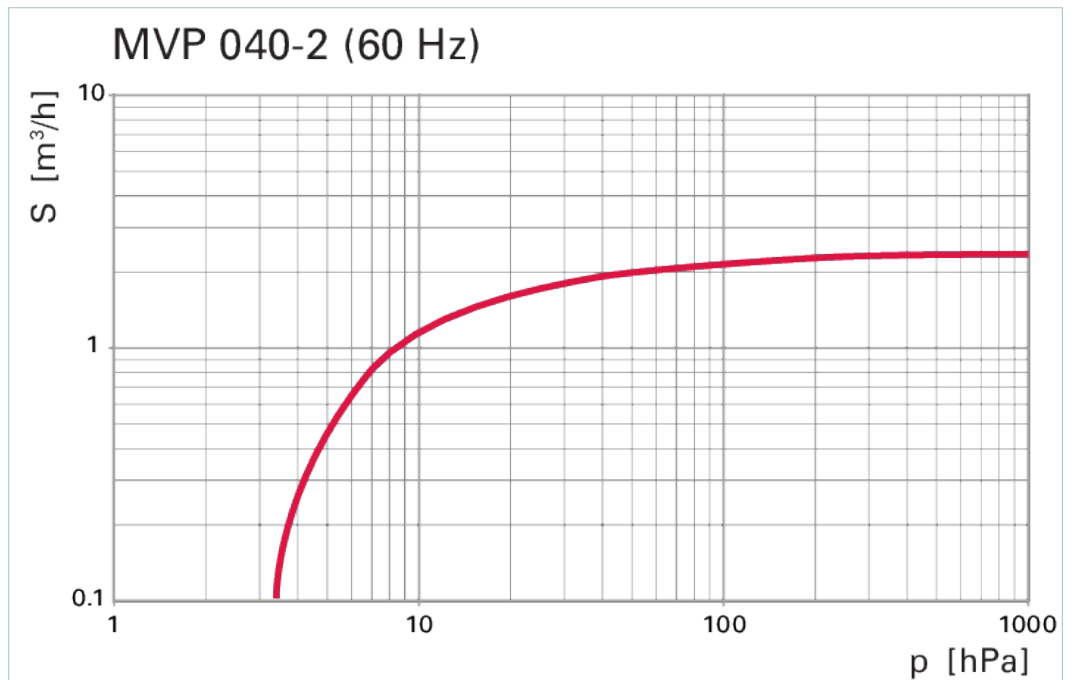
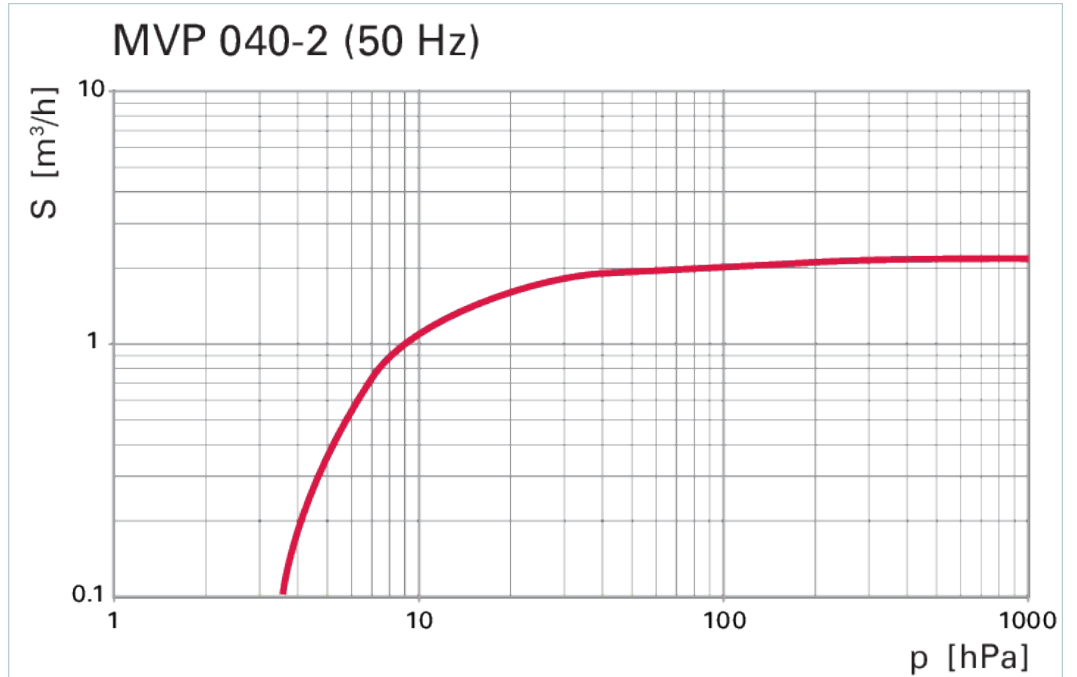
**MVP 040-2, Diaphragm pump,
100–115/200–230 V,
50 Hz | 100–115/120/200–230 V, 60
Hz**



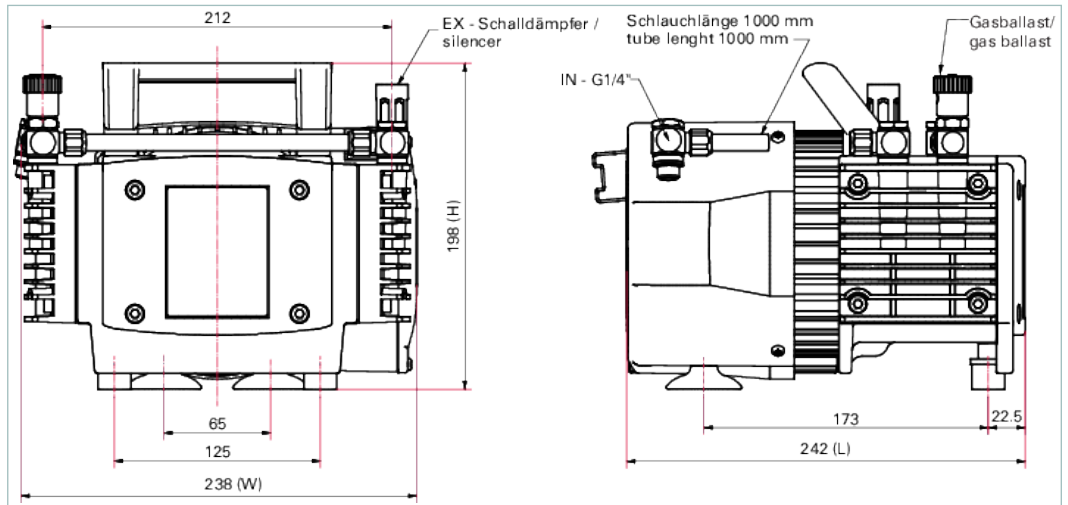
Similar Image

MVP 040-2, Diaphragm pump, 100–115/200–230 V, 50 Hz | 100–115/120/200–230 V, 60 Hz

- Robust and high-performance diaphragm pump with a pumping speed of up to 2.5 m³/h
- For mains voltage: 90–126/180–254 V, 50/60 Hz
- Integrated gas ballast valve allows few amounts of humidity
- Ideal for applications where a dry and oil-free vacuum is required



Dimensions



Technical Data	MVP 040-2, Diaphragm pump, 100–115/200–230 V, 50 Hz 100–115/120/200–230 V, 60 Hz
Ambient temperature	12 °C 53.6 °F 285 K
Cooling method, standard	Air
Emission sound pressure level without gas ballast or purge	≤ 53 dB(A)
Exhaust pressure, max.	1,100 hPa 825 Torr 1,100 mbar
Flange (in)	G ¼" elbow union with enclosed hose 10/8, 100 mm with an elbow union in G ¼" at the end
Flange (out)	G 1/8" + silencer
Intake pressure max.	1,100 hPa 825 Torr 1,100 mbar
Leak rate	$2 \cdot 10^{-3}$ Pa m ³ /s
Mains requirement: voltage (range)	±10 %
Mains requirement: voltage 50 Hz	100 – 115/200 – 230 V
Mains requirement: voltage 60 Hz	100 – 115/120/200 – 230 V
Operating altitude, max.	2000 m
Protection category	IP40
Pumping speed at 50 Hz	2.3 m ³ /h
Pumping speed at 60 Hz	2.5 m ³ /h
Rotation speed at 50 Hz	1,500 rpm 1,500 min ⁻¹
Rotation speed at 60 Hz	1,800 rpm 1,800 min ⁻¹
Switch New	Yes
Temperature: Storage	-10 °C -50 °F -283 K
Ultimate pressure with gas ballast	5 hPa 3.75 Torr 5 mbar
Ultimate pressure without gas ballast	4 hPa 3 Torr 4 mbar
Weight	11.4 kg 25.13 lb

Order number	MVP 040-2	PK T01 210
--------------	-----------	------------

Accessories	
Cables Mains cables / Power cords	
Mains cable 230 V with safety plug CEE 7, right angle IEC 320/C13 socket, 2 m	PK 050 109
Mains cable 115 V with NEMA-plug, right angle IEC 320/C13 socket, 2 m	PK 050 110
Mains cable 115 / 230 V without plug, right angle IEC 320/C13 socket, 3 m	PK 050 111
Connections Screw-in flanges	
Screw-in flange DN 16 ISO-KF / G1/4" incl. seal (for MVP 040-2, MVP 070-3 inlet/outlet)	PK 050 114 -T
Control Devices Backing pump	
Relay box, shielded, for backing pumps, 1-phase 7A for TC 110/120 and TCP 350, plug M8	PM 071 282 -X

VACUUM SOLUTIONS FROM A SINGLE SOURCE

Pfeiffer Vacuum stands for innovative and custom vacuum solutions worldwide, technological perfection, competent advice and reliable service.

COMPLETE RANGE OF PRODUCTS

From a single component to complex systems:

We are the only supplier of vacuum technology that provides a complete product portfolio.

COMPETENCE IN THEORY AND PRACTICE

Benefit from our know-how and our portfolio of training opportunities!

We support you with your plant layout and provide first-class on-site service worldwide.

Are you looking for a
perfect vacuum solution?
Please contact us:

Pfeiffer Vacuum GmbH
Headquarters · Germany
T +49 6441 802-0
info@pfeiffer-vacuum.de

www.pfeiffer-vacuum.com

All data subject to change without prior notice.

PFEIFFER  **VACUUM**