



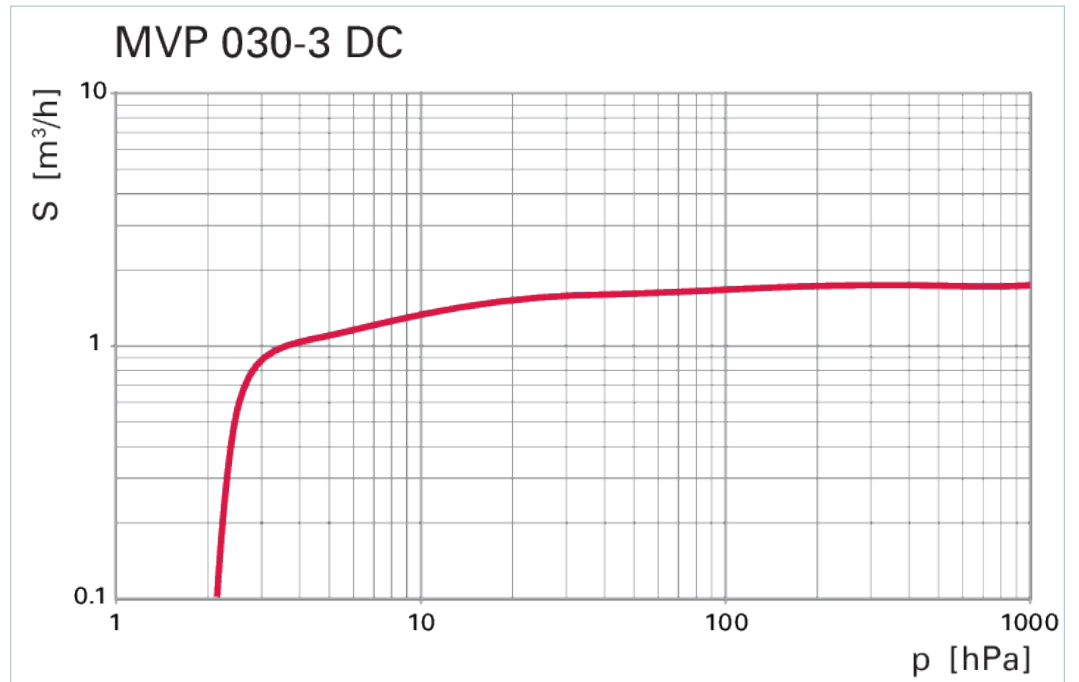
# MVP 030-3 DC, Diaphragm pump, 24 V



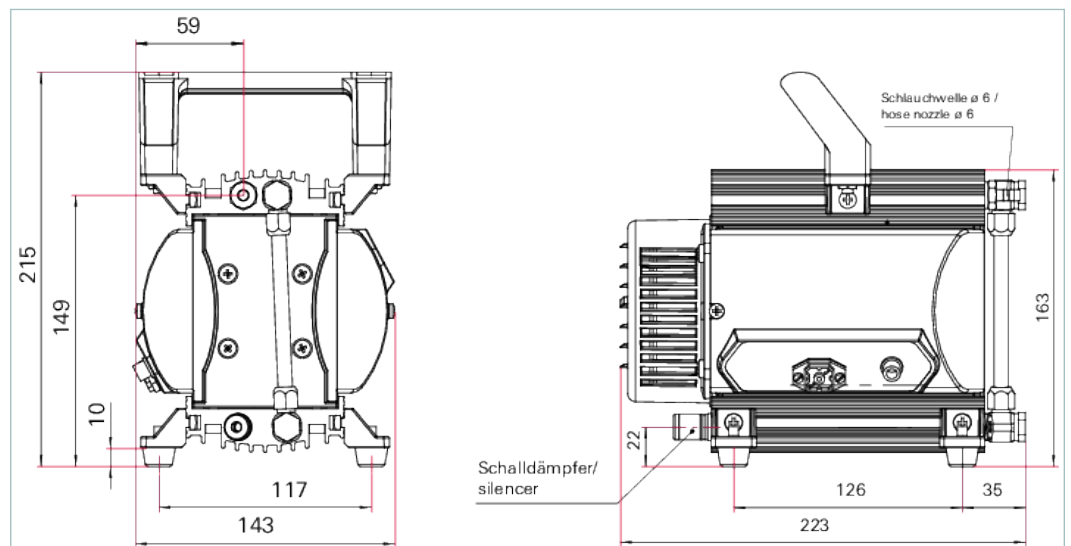
Similar Image

## MVP 030-3 DC, Diaphragm pump, 24 V

- High-performance diaphragm pump with a pumping speed of up to 1.8 m<sup>3</sup>/h
- For 24 V DC direct voltage supply
- Interval operation and rotation speed control
- Optimal process adaptation
- Ideal for applications where a dry and oil-free vacuum is required



### Dimensions



### Technical Data

Ambient temperature  
Cooling method, standard  
Dimensions (L x W x H)

### MVP 030-3 DC, Diaphragm pump, 24 V

12 °C | 53.6 °F | 285 K  
Convection cooled  
223 mm | 8.78 inch

Technical Data	MVP 030-3 DC, Diaphragm pump, 24 V
Emission sound pressure level without gas ballast or purge	≤ 48 dB(A)
Exhaust pressure, max.	1,100 hPa   825 Torr   1,100 mbar
Flange (in)	G 1/8" + hose wave DN 6
Flange (out)	G 1/8" + silencer
Intake pressure max.	1,100 hPa   825 Torr   1,100 mbar
Leak rate	≤ 1 · 10 <sup>-2</sup> Pa m <sup>3</sup> /s
Operating altitude, max.	2000 m
Protection category	IP20
Pumping speed	1.8 m <sup>3</sup> /h m <sup>3</sup> /h
Rotation speed	300 rpm   300 min <sup>-1</sup>
Switch New	No
Temperature: Storage	-10 °C   -50 °F   -283 K
Ultimate pressure with gas ballast	3 hPa   2.25 Torr   3 mbar
Ultimate pressure without gas ballast	2.5 hPa   1.88 Torr   2.5 mbar
Voltage: Range	±10 %
Weight	4.3 kg   9.48 lb

Order number	
MVP 030-3 DC	<b>PK T01 190</b>

Accessories	
<b>Cables Connection cables</b>	
Control cable, TC 110/120 - Diaphragm pump, 0.5 m	<b>PM 061 433 -X</b>
Connection cable TPS - MVP	<b>PM 061 441 -T</b>
<b>Cables Mains cables / Power cords</b>	
Mains cable 230 V AC, CEE 7/7 to C13, 3 m	<b>P 4564 309 ZA</b>
Mains cable 115 V AC, NEMA 5-15 to C13, 3 m	<b>P 4564 309 ZE</b>
Mains cable 115 / 230 V without plug, with IEC 320/C13 socket (straight), 3 m	<b>P 4564 309 ZH</b>
<b>Connections Screw-in flanges</b>	
Screw-in flange DN 16 ISO-KF / G 1/8" incl. seal	<b>PK 050 108 -T</b>
<b>Control Devices Power supplies and control displays</b>	
TPS 180, mains pack for wall/standard rail fitting	<b>PM 061 341 -T</b>
<b>Protection Flushing devices</b>	
Flushing gas nozzle for MVP 020-3 / MVP 030-3	<b>PK 050 122</b>

## **VACUUM SOLUTIONS FROM A SINGLE SOURCE**

Pfeiffer Vacuum stands for innovative and custom vacuum solutions worldwide, technological perfection, competent advice and reliable service.

## **COMPLETE RANGE OF PRODUCTS**

From a single component to complex systems:

We are the only supplier of vacuum technology that provides a complete product portfolio.

## **COMPETENCE IN THEORY AND PRACTICE**

Benefit from our know-how and our portfolio of training opportunities!

We support you with your plant layout and provide first-class on-site service worldwide.

Are you looking for a  
perfect vacuum solution?  
Please contact us:

**Pfeiffer Vacuum GmbH**  
Headquarters · Germany  
T +49 6441 802-0  
info@pfeiffer-vacuum.de

[www.pfeiffer-vacuum.com](http://www.pfeiffer-vacuum.com)

All data subject to change without prior notice.

**PFEIFFER**  **VACUUM**