



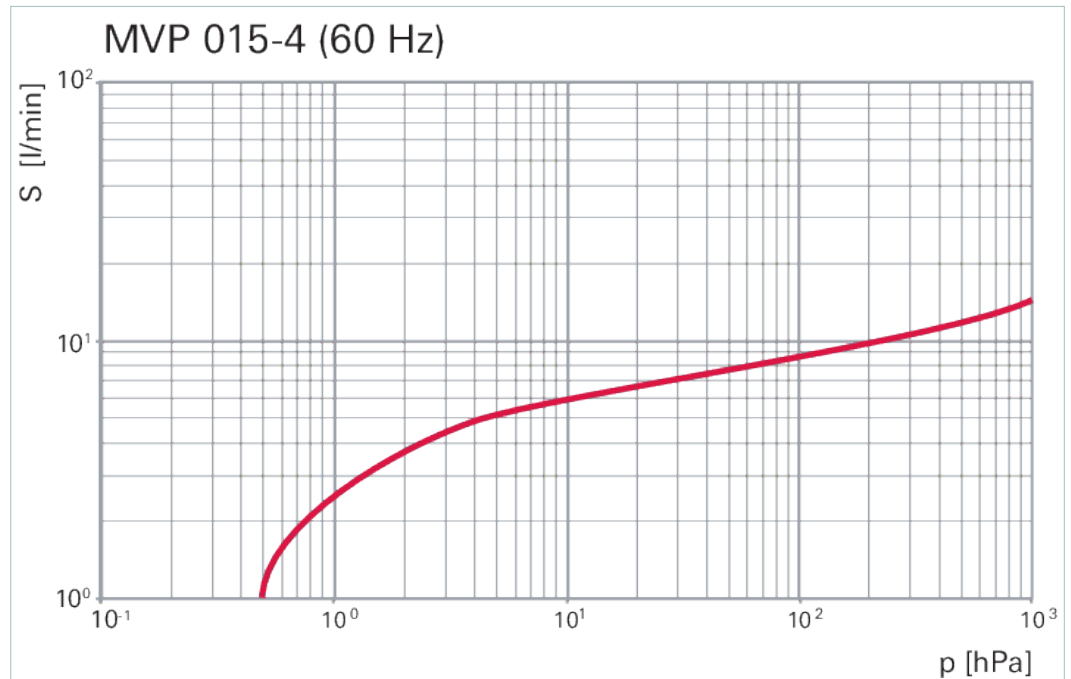
MVP 015-4, Diaphragm pump, 120 V, 60 Hz



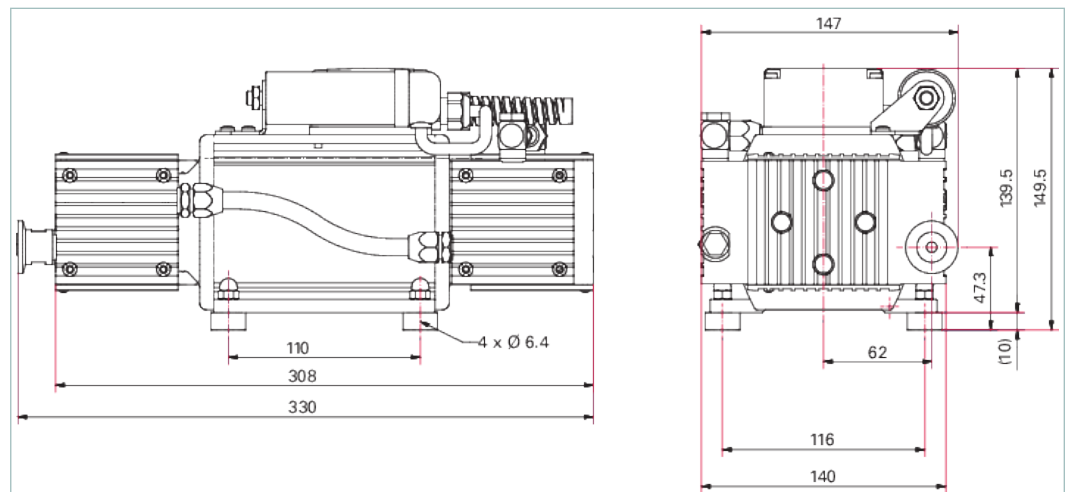
Similar Image

MVP 015-4, Diaphragm pump, 120 V, 60 Hz

- High-performance diaphragm pump with a pumping speed of 0.7 m³/h
- For mains voltage: 120 V (+ 5 % / - 10 %) 60 Hz
- Ideal for applications where a dry and oil-free vacuum is required
- The excellent ultimate pressure offers an ideal combination with Pfeiffer Vacuum turbopumps



Dimensions



Technical Data	MVP 015-4, Diaphragm pump, 120 V, 60 Hz
Ambient temperature	12 °C 53.6 °F 285 K
Cooling method, standard	Air
Emission sound pressure level without gas ballast or purge	≤ 52 dB(A)
Exhaust pressure, max.	1,100 hPa 825 Torr 1,100 mbar
Flange (in)	DN 16 ISO-KF; G 1/8"

Technical Data	MVP 015-4, Diaphragm pump, 120 V, 60 Hz
Flange (out)	G 1/8" + silencer
Intake pressure max.	1,100 hPa 825 Torr 1,100 mbar
Leak rate	$\leq 5 \cdot 10^{-4}$ Pa m ³ /s
Mains requirement: voltage (range)	+5/-10 %
Mains requirement: voltage 60 Hz	120 V
Operating altitude, max.	2000 m
Protection category	IP54
Pumping speed at 60 Hz	0.6 m ³ /h
Rotation speed at 60 Hz	1,800 rpm 1,800 min ⁻¹
Switch New	No
Temperature: Storage	5 °C 41 °F 278 K
Ultimate pressure without gas ballast	$5 \cdot 10^{-1}$ hPa $3.75 \cdot 10^{-1}$ Torr $5 \cdot 10^{-1}$ mbar
Weight	7.5 kg 16.53 lb

Order number	
MVP 015-4	PK T05 064

Accessories	
Cables Mains cables / Power cords	
Mains cable 230 V AC, CEE 7/7 to C13, 3 m	P 4564 309 ZA
Mains cable 115 V AC, NEMA 5-15 to C13, 3 m	P 4564 309 ZE
Mains cable 115 / 230 V without plug, with IEC 320/C13 socket (straight), 3 m	P 4564 309 ZH
Connections Adapters Turbopump to Backing Pump	
Hose connection DN 6x400 mm with straight fitting G 1/8" and G 1/4" including seal	P 0920 739 E
Push-in T-fitting G 1/8"	P 4131 030 E
Connections Screw-in flanges	
Screw-in flange DN 16 ISO-KF / G 1/8" incl. seal	PK 050 108 -T
Control Devices Backing pump	
Relay box, shielded, for backing pumps, 1-phase 7A for TC 110/120 and TCP 350, plug M8	PM 071 282 -X
Relay box, shielded, for backing pumps, 1-phase 7 A for TC 400/1200, TM 700 and TCP 350, M12	PM 071 284 -X

VACUUM SOLUTIONS FROM A SINGLE SOURCE

Pfeiffer Vacuum stands for innovative and custom vacuum solutions worldwide, technological perfection, competent advice and reliable service.

COMPLETE RANGE OF PRODUCTS

From a single component to complex systems:

We are the only supplier of vacuum technology that provides a complete product portfolio.

COMPETENCE IN THEORY AND PRACTICE

Benefit from our know-how and our portfolio of training opportunities!

We support you with your plant layout and provide first-class on-site service worldwide.

Are you looking for a
perfect vacuum solution?
Please contact us:

Pfeiffer Vacuum GmbH
Headquarters · Germany
T +49 6441 802-0
info@pfeiffer-vacuum.de

www.pfeiffer-vacuum.com

All data subject to change without prior notice.

PFEIFFER  **VACUUM**