



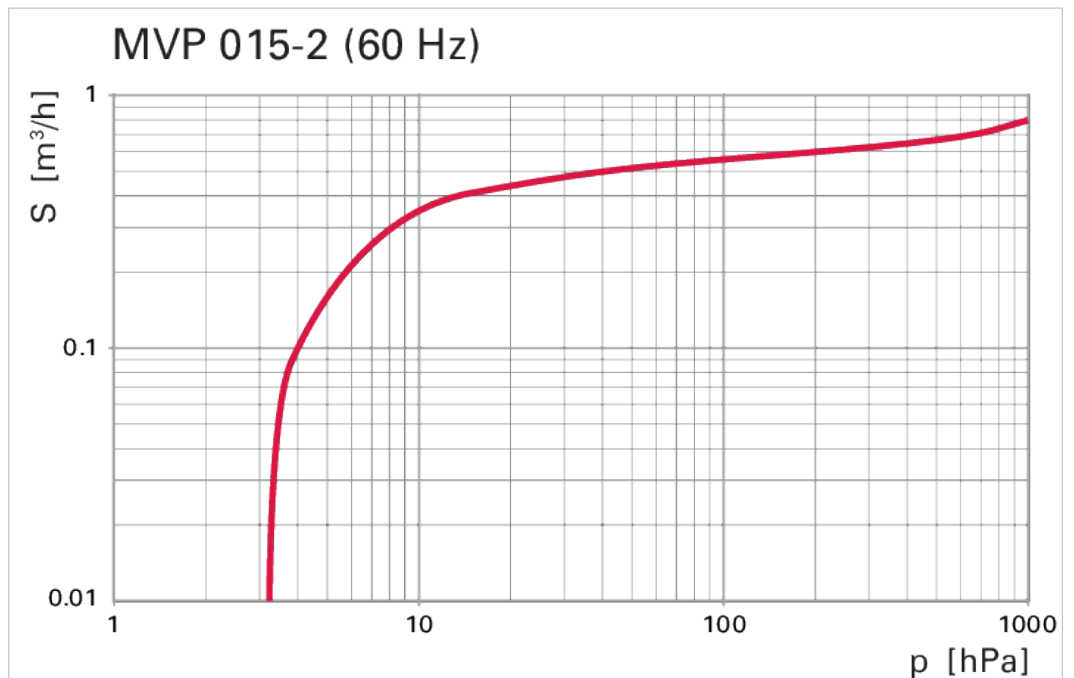
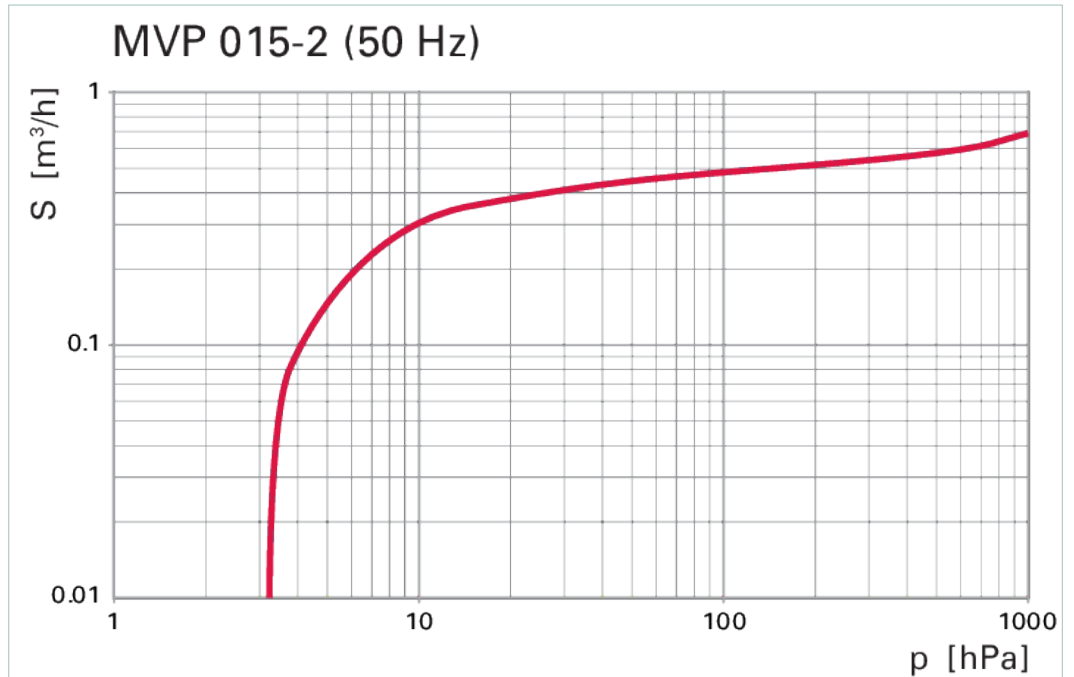
MVP 015-2, Diaphragm pump, 100–115/208–236 V, 50/60 Hz



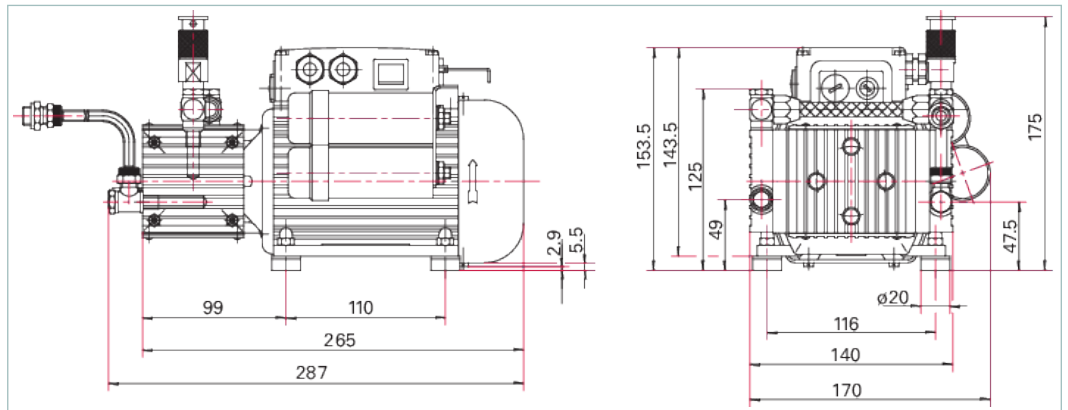
Similar Image

MVP 015-2, Diaphragm pump, 100–115/208–236 V, 50/60 Hz

- Compact diaphragm pump with a pumping speed of up to 0.7 m³/h
- For mains voltage: 90–127 V, 50 Hz, respectively 187–265 V, 60 Hz
- Ideal for applications where a dry and oil-free vacuum is required



Dimensions



Technical Data	MVP 015-2, Diaphragm pump, 100–115/208–236 V, 50/60 Hz
Ambient temperature	12 °C 53.6 °F 285 K
Cooling method, standard	Air
Emission sound pressure level without gas ballast or purge	≤ 52 dB(A)
Exhaust pressure, max.	1,100 hPa 825 Torr 1,100 mbar
Flange (in)	G 1/8" elbow union + enclosed hose DN 6 x 100 mm with a straight union in G 1/4" at the end
Flange (out)	G 1/8" + silencer
Intake pressure max.	1,100 hPa 825 Torr 1,100 mbar
Leak rate	≤ 5 · 10 ⁻⁴ Pa m ³ /s
Mains requirement: voltage (range)	±10 %
Mains requirement: voltage 50 Hz	100 – 115/208 – 236 V
Mains requirement: voltage 60 Hz	100 – 115/208 – 236 V
Operating altitude, max.	2000 m
Protection category	IP20
Pumping speed at 50 Hz	0.5 m ³ /h
Pumping speed at 60 Hz	0.7 m ³ /h
Rotation speed at 50 Hz	1,500 rpm 1,500 min ⁻¹
Rotation speed at 60 Hz	1,800 rpm 1,800 min ⁻¹
Switch New	Yes
Temperature: Storage	5 °C 41 °F 278 K
Ultimate pressure with gas ballast	4.5 hPa 3.38 Torr 4.5 mbar
Ultimate pressure without gas ballast	3.5 hPa 2.62 Torr 3.5 mbar
Weight	6.5 kg 14.33 lb

Order number	
MVP 015-2	PK T05 100

Accessories	
Cables Mains cables / Power cords	
Mains cable 230 V AC, CEE 7/7 to C13, 3 m	P 4564 309 ZA
Mains cable 115 / 230 V without plug, with IEC 320/C13 socket (straight), 3 m	P 4564 309 ZH
Mains cable 115 V AC, NEMA 5-15 to C13, 3 m	P 4564 309 ZE
Connections Adapters Turbopump to Backing Pump	
Push-in T-fitting G 1/8"	P 4131 030 E
Connections Screw-in flanges	
Screw-in flange DN 16 ISO-KF / G 1/8" incl. seal	PK 050 108 -T
Control Devices Backing pump	
Relay box, shielded, for backing pumps, 1-phase 7A for TC 110/120 and TCP 350, plug M8	PM 071 282 -X
Relay box, shielded, for backing pumps, 1-phase 7 A for TC 400/1200, TM 700 and TCP 350, M12	PM 071 284 -X

VACUUM SOLUTIONS FROM A SINGLE SOURCE

Pfeiffer Vacuum stands for innovative and custom vacuum solutions worldwide, technological perfection, competent advice and reliable service.

COMPLETE RANGE OF PRODUCTS

From a single component to complex systems:

We are the only supplier of vacuum technology that provides a complete product portfolio.

COMPETENCE IN THEORY AND PRACTICE

Benefit from our know-how and our portfolio of training opportunities!

We support you with your plant layout and provide first-class on-site service worldwide.

Are you looking for a
perfect vacuum solution?
Please contact us:

Pfeiffer Vacuum GmbH
Headquarters · Germany
T +49 6441 802-0
info@pfeiffer-vacuum.de

www.pfeiffer-vacuum.com

All data subject to change without prior notice.

PFEIFFER  **VACUUM**