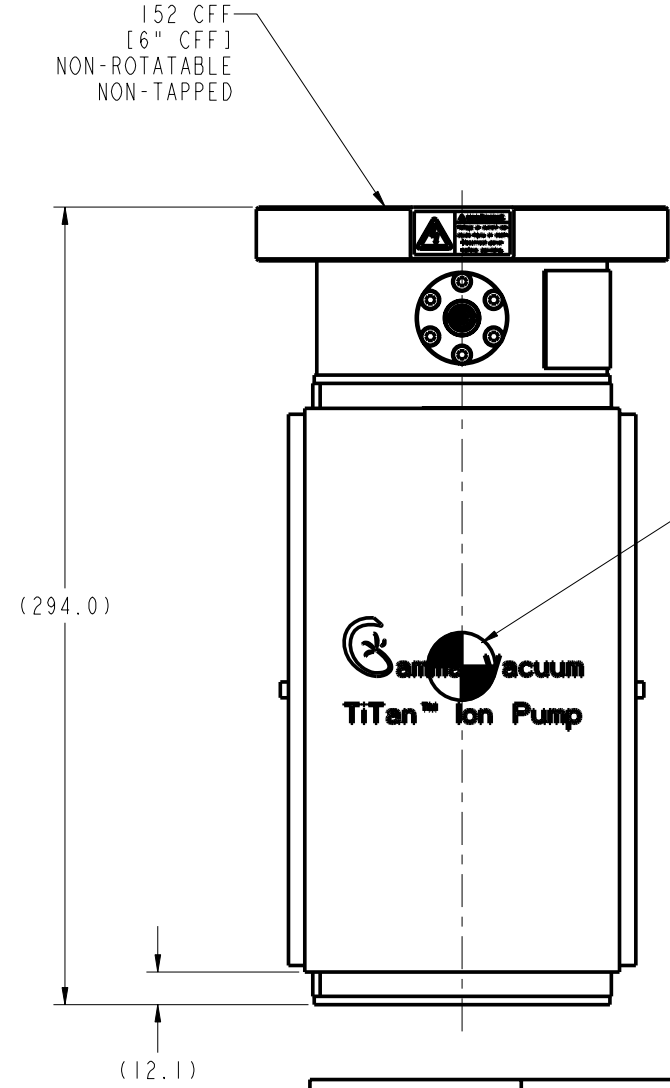
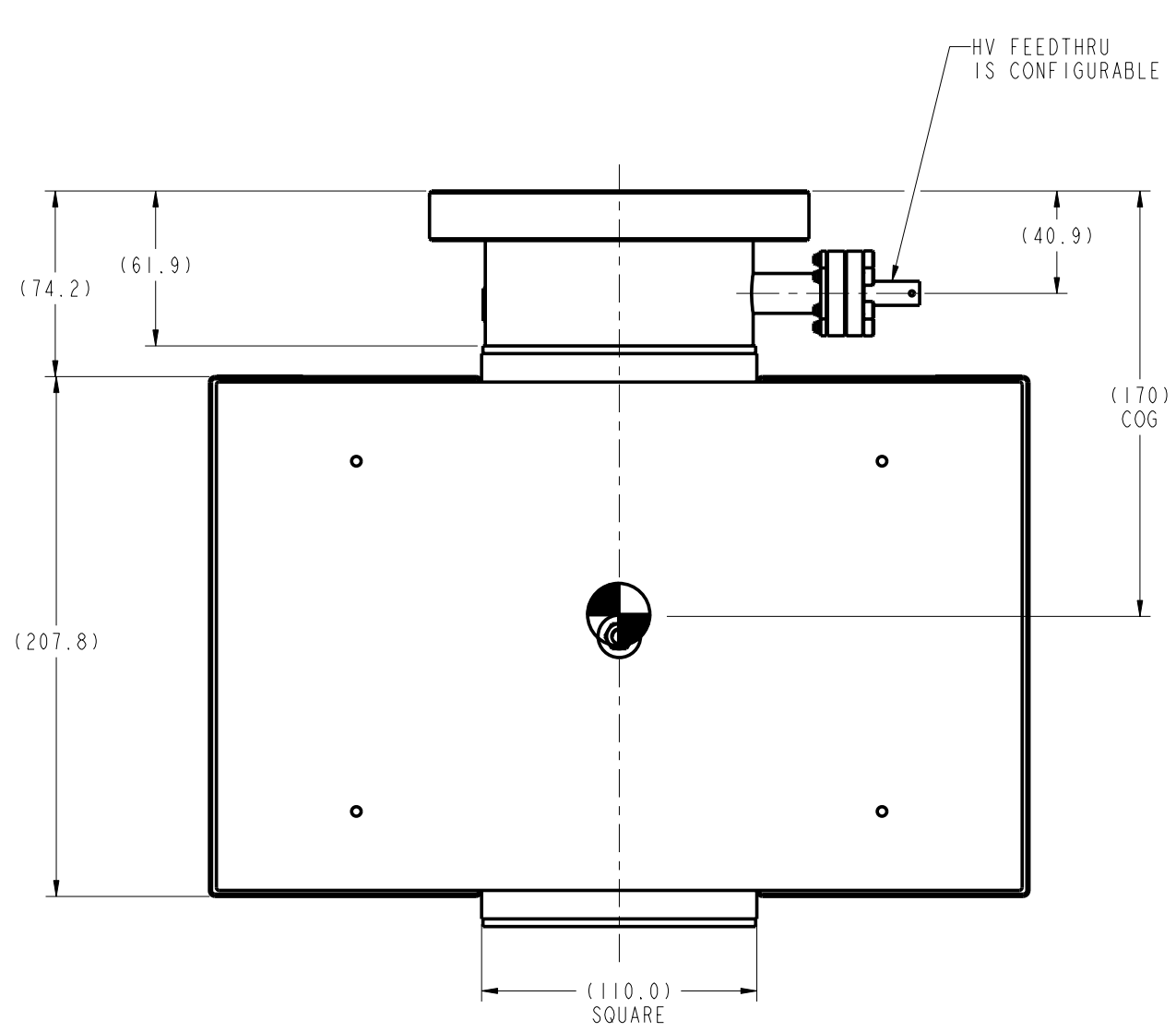


SCALE 0.500

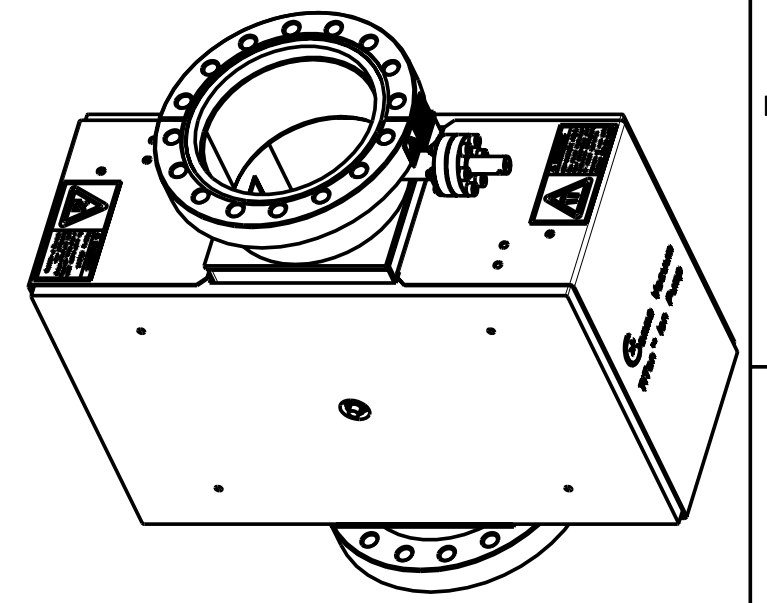
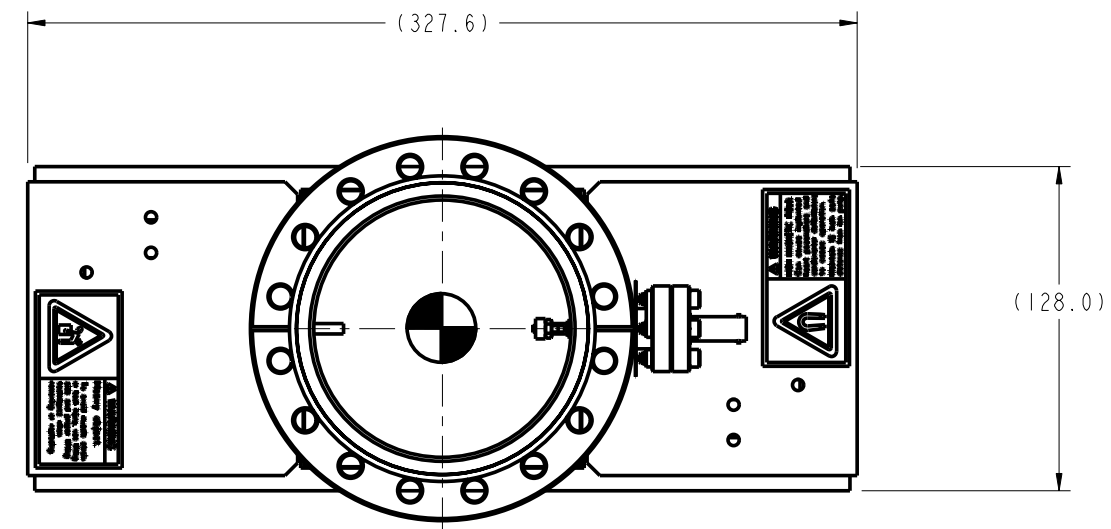


CENTER OF GRAVITY

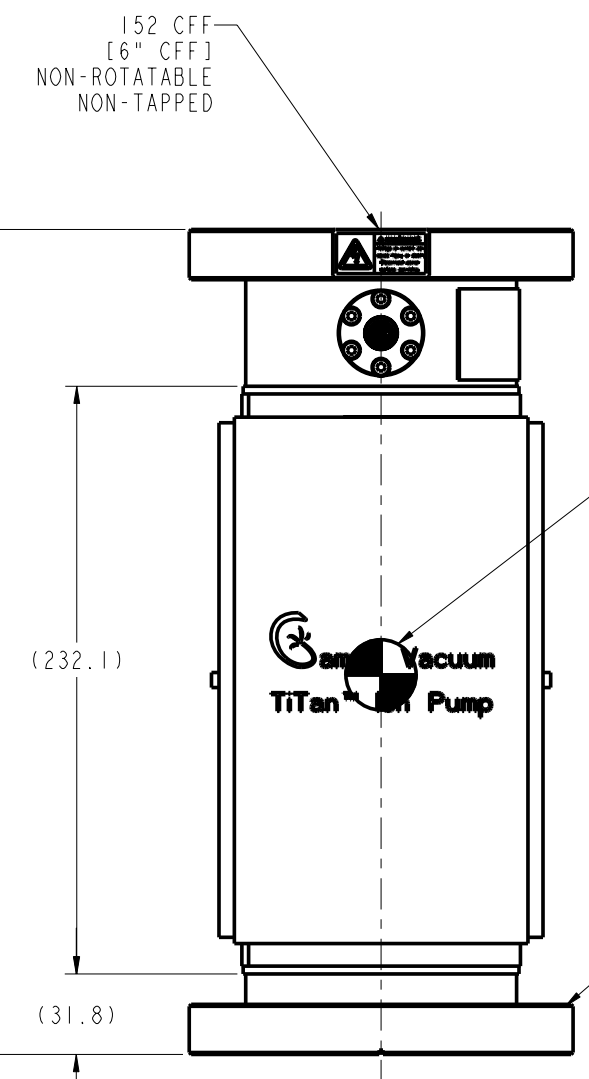
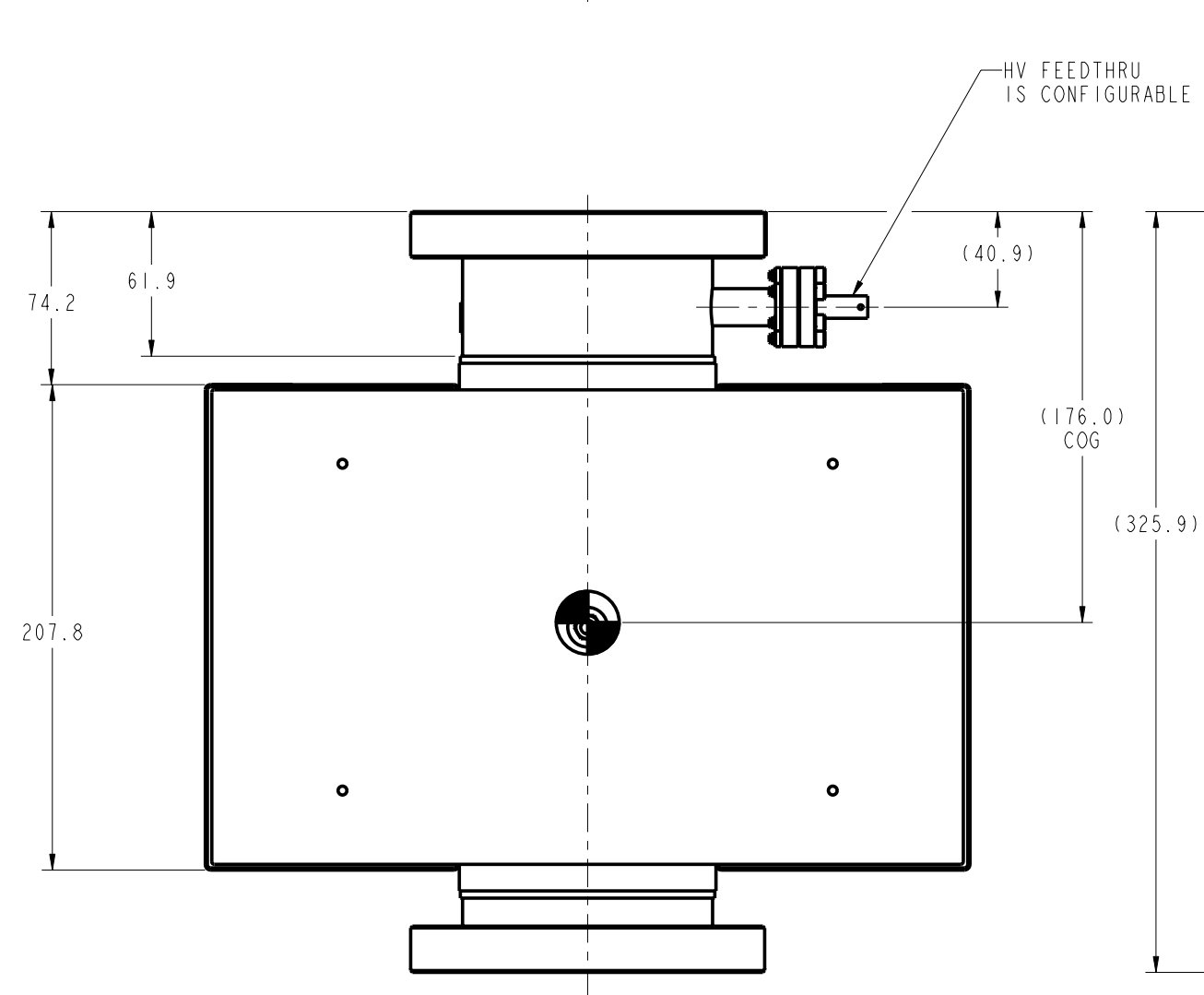
100L-XX-6S-XX OUTLINE

METRIC THIRD ANGLE PROJECTION 	<small>UNLESS OTHERWISE SPECIFIED: DIMENSIONS ARE IN MILLIMETERS SURFACE ROUGHNESS IN MICROMETERS</small>	<small>DRW: R GOLLA DATE: 06-Jun-07 CHK: MHC DATE: 6-7-07 APPV: R GOLLA DATE: 6-7-07 RT: R GOLLA</small>	Gamma Vacuum 12912 Ventura Court, No. 28 • Shakopee, MN
	<small>TOLERANCES: LINEAR ±0.13 HOLES ±0.13 ANGULAR (±) MACHINED 0.5° FORMED 1° CHAMFER 5° MACHINED SURFACES 1.6 BREAK SHARP EDGES: R.2 OR 45° 0.2 MAX. INTERNAL MACH CORNER R.4 MAX.</small>	<small>TOLERANCING AND DIMENSIONING PER ANSI Y14.5M - 1982</small>	<small>THIS DRAWING CONTAINS PROPRIETARY INFORMATION AND ANY REPRODUCTION, DISCLOSURE OR USE OF THIS DRAWING IS EXPRESSLY PROHIBITED EXCEPT AS AGREED TO IN WRITING.</small>

THIS DRAWING HAS BEEN GENERATED AND IS MAINTAINED BY PRO/ENGINEER CAD SYSTEM.



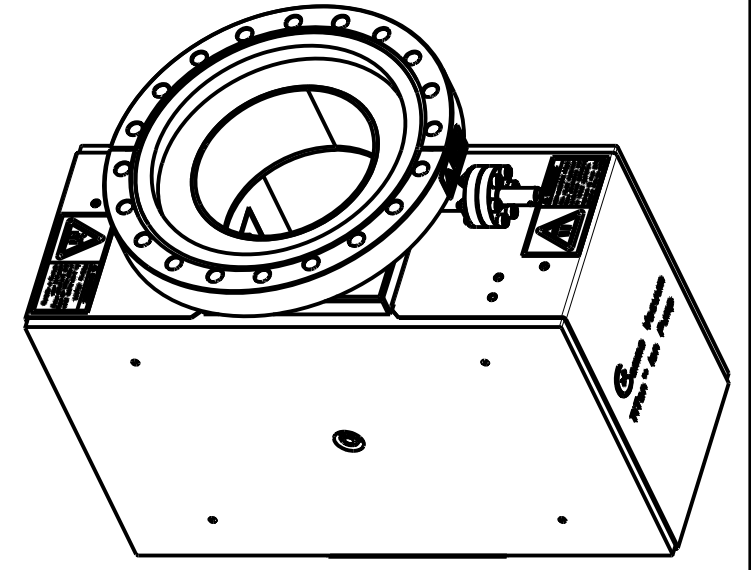
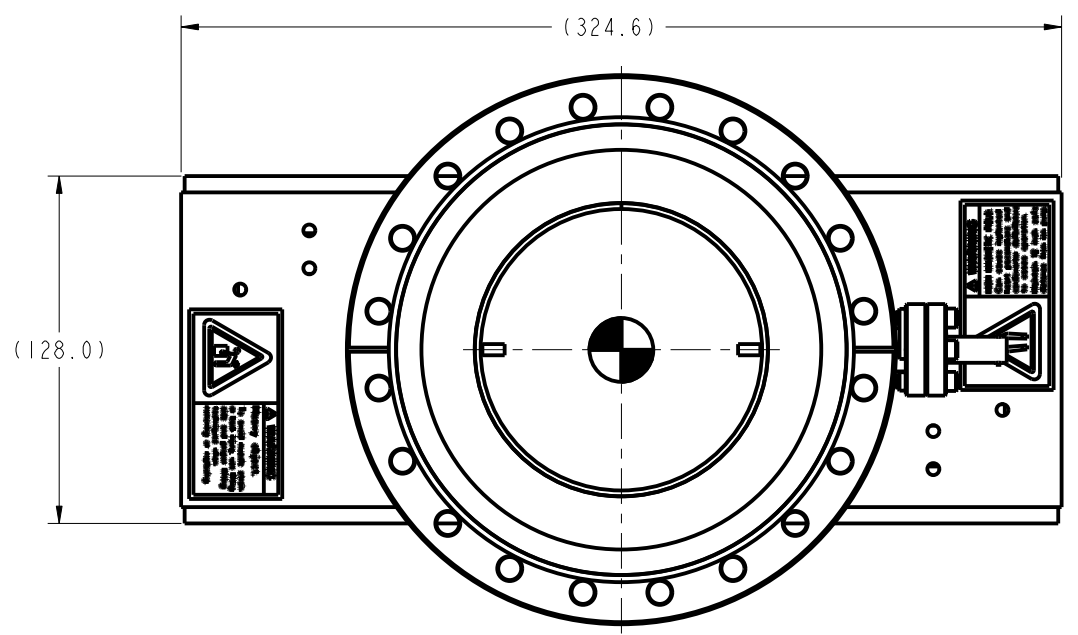
SCALE 0.500



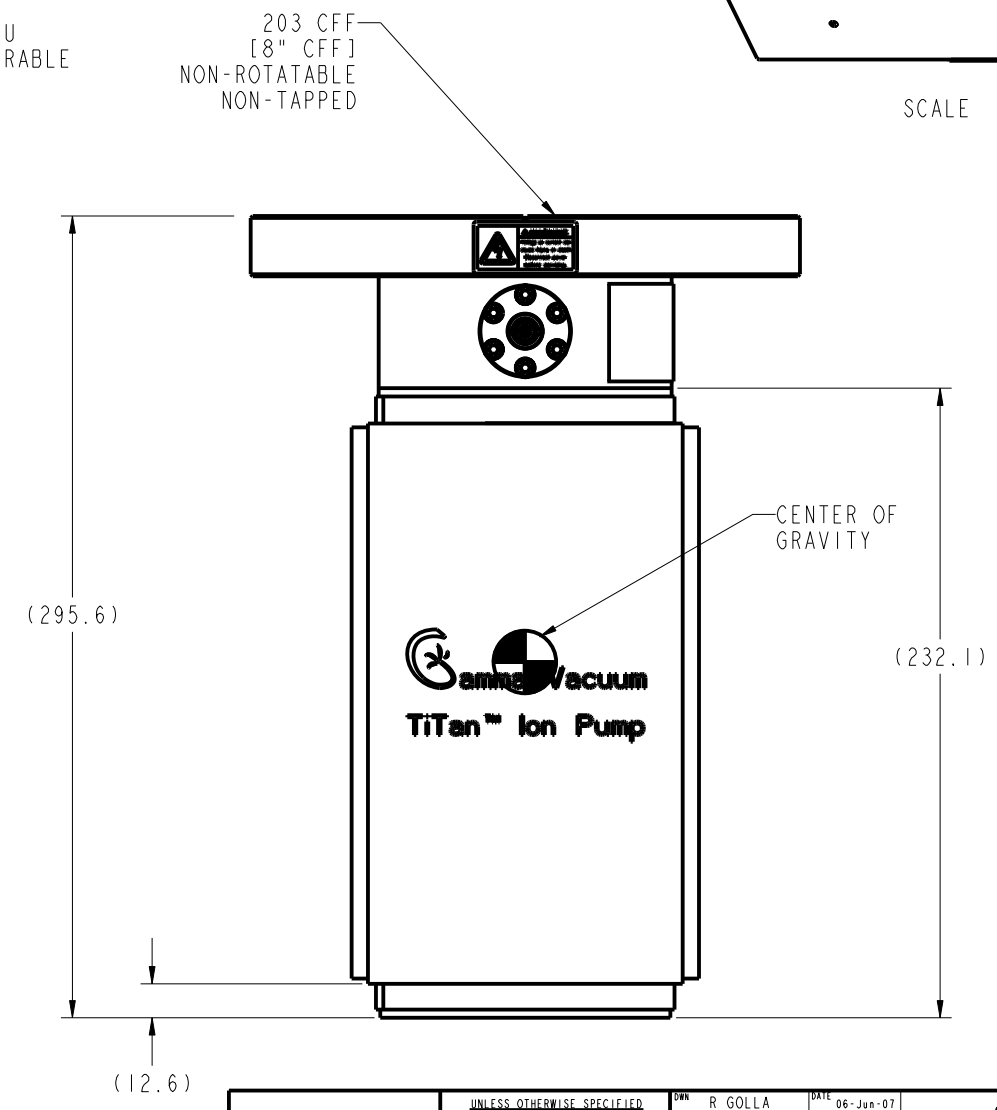
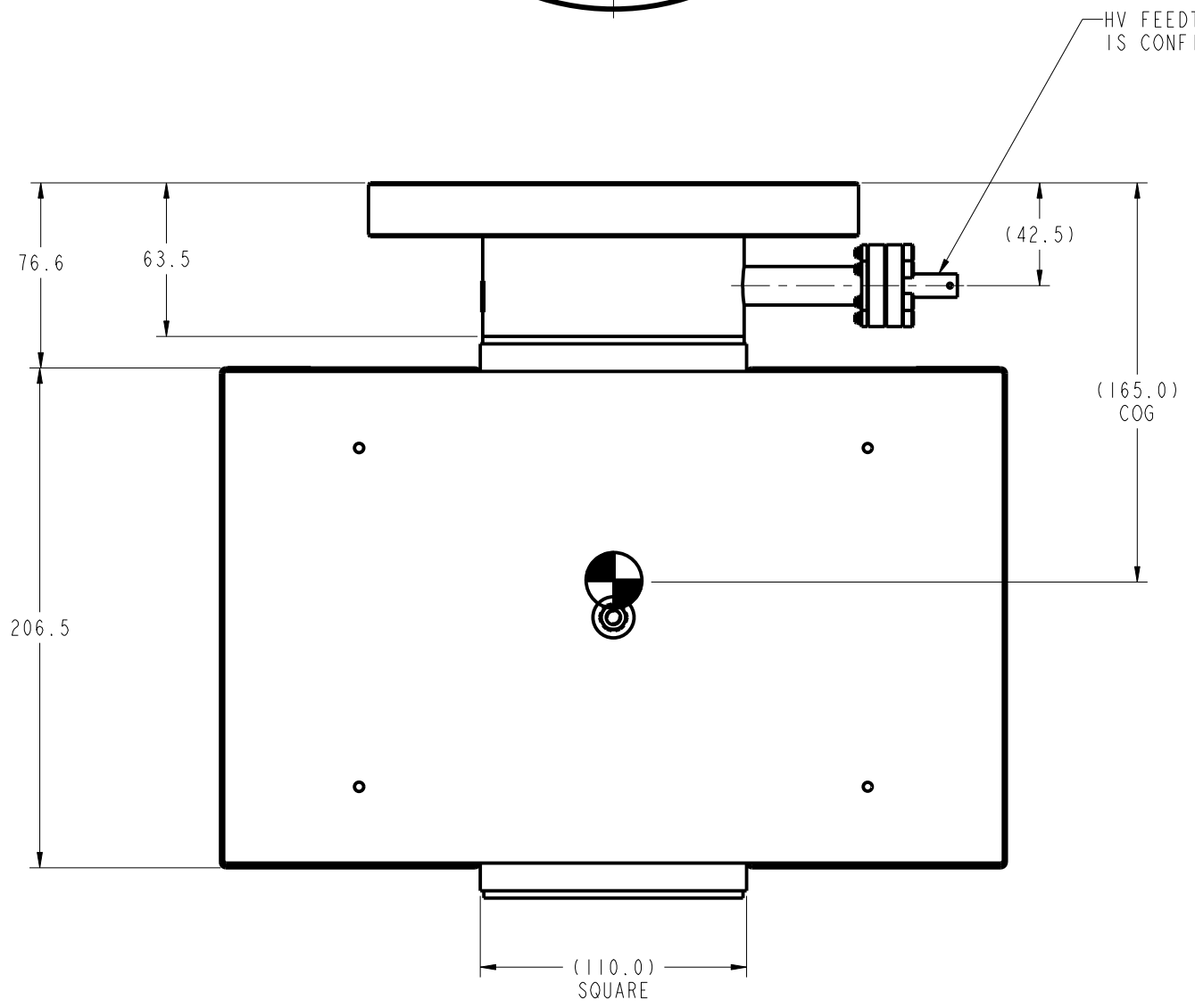
100L-XX-6D-XX OUTLINE

METRIC THIRD ANGLE PROJECTION 	UNLESS OTHERWISE SPECIFIED: DIMENSIONS ARE IN MILLIMETERS SURFACE ROUGHNESS IN MICROMETERS TOLERANCES: LINEAR ±0.13 HOLES ±0.13 ANGULAR (±) MACHINED 0.5° FORMED 1° CHAMFER 5° MACHINED SURFACES 1.6 BREAK SHARP EDGES: R.2 OR 45° 0.2 MAX. INTERNAL MACH CORNER R.4 MAX.	DWG. R. GOLLA DATE 06-Jun-07 CHK. MHC DATE 6-7-07 APPV. R. GOLLA DATE 6-7-07 RI R. GOLLA TOLERANCING AND DIMENSIONING PER ANSI Y14.5M - 1982 THIS DRAWING CONTAINS PROPRIETARY INFORMATION AND ANY REPRODUCTION, DISCLOSURE OR USE OF THIS DRAWING IS EXPRESSLY PROHIBITED EXCEPT AS AGREED TO IN WRITING.	Gamma Vacuum 12912 Ventura Court, No. 28 • Shakopee, MN TITLE 100L-XX-6D-XX SIZE DRAWING NO. 100L-XX-6D-XX REV. D SCALE 0.500 DETACHED <input type="checkbox"/> PL <input type="checkbox"/> SPEC SHT 2 OF 2
---	--	---	---

THIS DRAWING HAS BEEN GENERATED AND IS MAINTAINED BY PRO/ENGINEER CAD SYSTEM.



SCALE 0.500



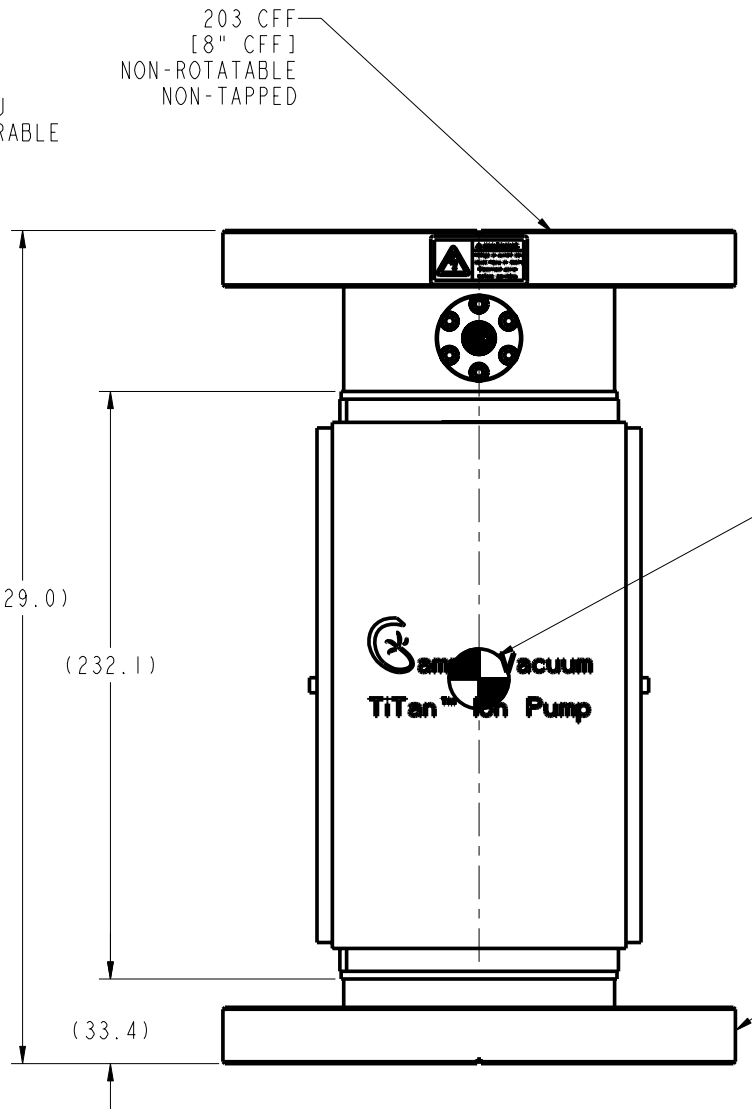
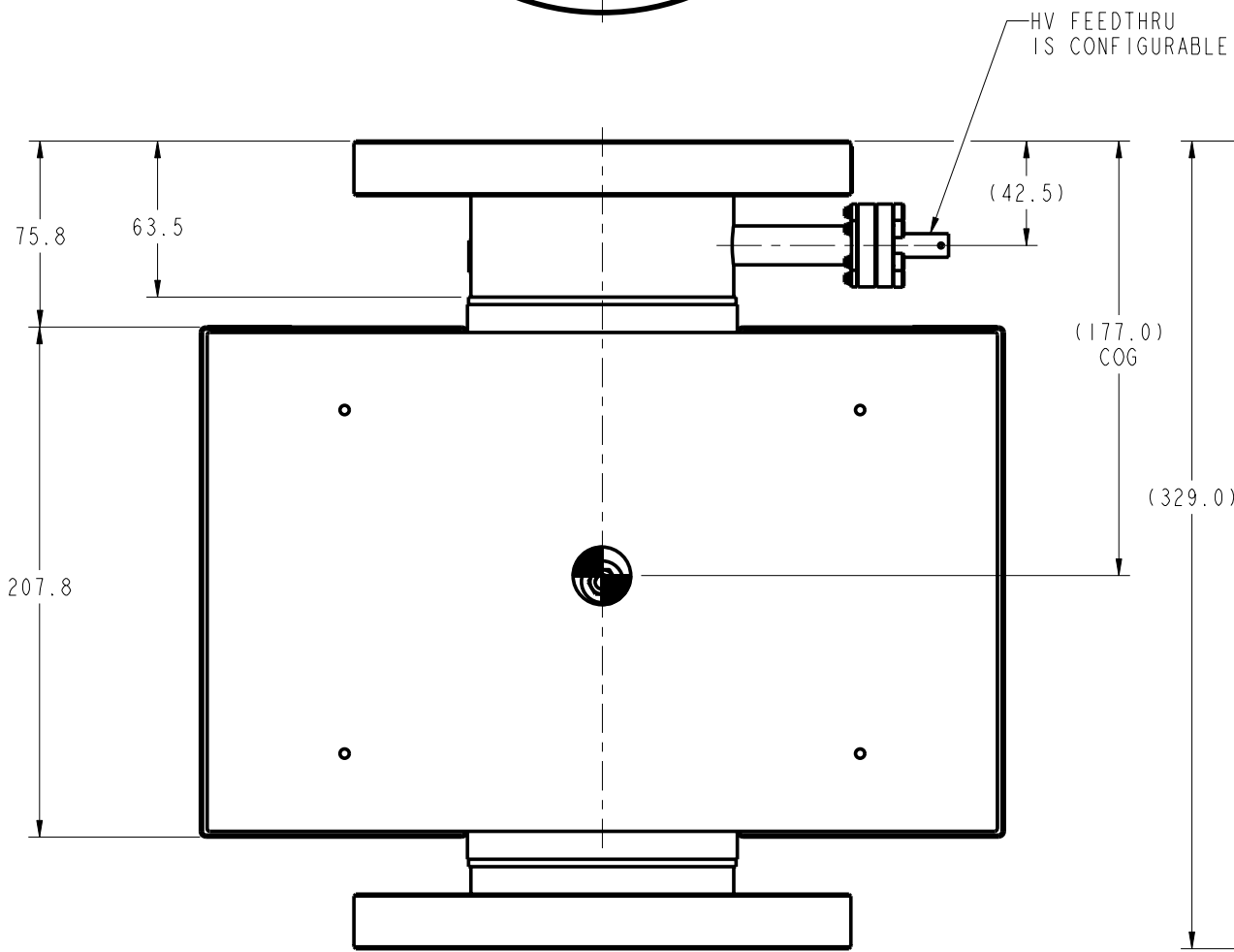
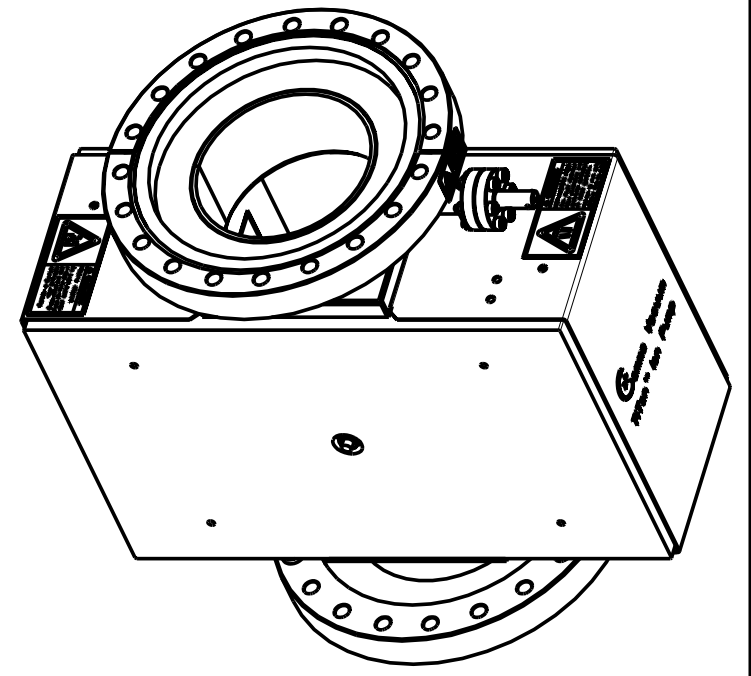
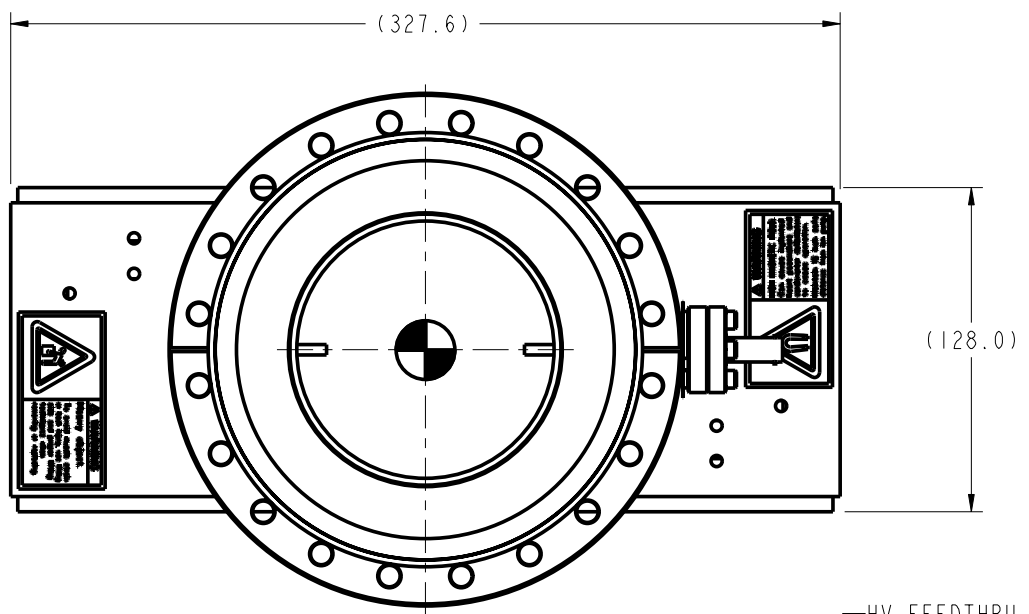
HV FEEDTHRU IS CONFIGURABLE

203 CFF [8" CFF] NON-ROTATABLE NON-TAPPED

CENTER OF GRAVITY

100L-XX-8S-XX OUTLINE

METRIC THIRD ANGLE PROJECTION 	<small>UNLESS OTHERWISE SPECIFIED: DIMENSIONS ARE IN MILLIMETERS SURFACE ROUGHNESS IN MICROMETERS</small>	<small>CHK R GOLLA DATE 06-Jun-07 MHC DATE 6-7-07</small>	Gamma Vacuum 2915 133rd Street West • Shakopee, MN
	<small>TOLERANCES: LINEAR ±0.13 HOLES ±0.13 ANGULAR (±) MACHINED 0.5° FORMED 1° CHAMFER 5°</small>	<small>APPV R GOLLA DATE 6-7-07 RI R GOLLA</small>	<small>TOLERANCING AND DIMENSIONING PER ANSI Y14.5M - 1982</small>
<small>BREAK SHARP EDGES: R.2 OR 45° 0.2 MAX. INTERNAL MACH CORNER R.4 MAX.</small>	<small>THIS DRAWING CONTAINS PROPRIETARY INFORMATION AND ANY REPRODUCTION, DISCLOSURE OR USE OF THIS DRAWING IS EXPRESSLY PROHIBITED EXCEPT AS AGREED TO IN WRITING.</small>	<small>SCALE 0.500 DETACHED <input type="checkbox"/> PL <input type="checkbox"/> SPEC SHT 2 OF 2</small>	REV. D DRAWING NO. 100L-XX-8S-XX



100L-XX-8D-XX OUTLINE

METRIC THIRD ANGLE PROJECTION 	<small>UNLESS OTHERWISE SPECIFIED: DIMENSIONS ARE IN MILLIMETERS SURFACE ROUGHNESS IN MICROMETERS</small>	<small>DRW: R GOLLA DATE: 06-Jun-07 CHK: MHC DATE: 6-7-07 APPV: R GOLLA DATE: 6-7-07 RT: R GOLLA</small>	Gamma Vacuum 12912 Ventura Court, No. 28 • Shakopee, MN
	<small>TOLERANCES: LINEAR ±0.13 HOLES ±0.13 ANGULAR (±) MACHINED 0.5° FORMED 1° CHAMFER 5° MACHINED SURFACES 1.6 BREAK SHARP EDGES: R.2 OR 45° 0.2 MAX. INTERNAL MACH CORNER R.4 MAX.</small>	<small>TOLERANCING AND DIMENSIONING PER ANSI Y14.5M - 1982</small>	<small>THIS DRAWING CONTAINS PROPRIETARY INFORMATION AND ANY REPRODUCTION, DISCLOSURE OR USE OF THIS DRAWING IS EXPRESSLY PROHIBITED EXCEPT AS AGREED TO IN WRITING.</small>